



UNIMIG[®]

ARC TORCHOLOGY[®] TIG Range

T2

T3

T3W



ARC TORCHOLOGY Standard Series

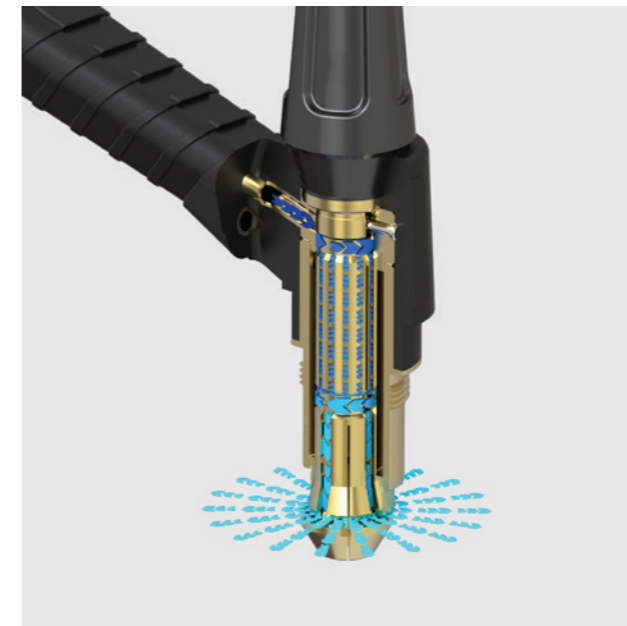


ARC TORCHOLOGY SUPER Series

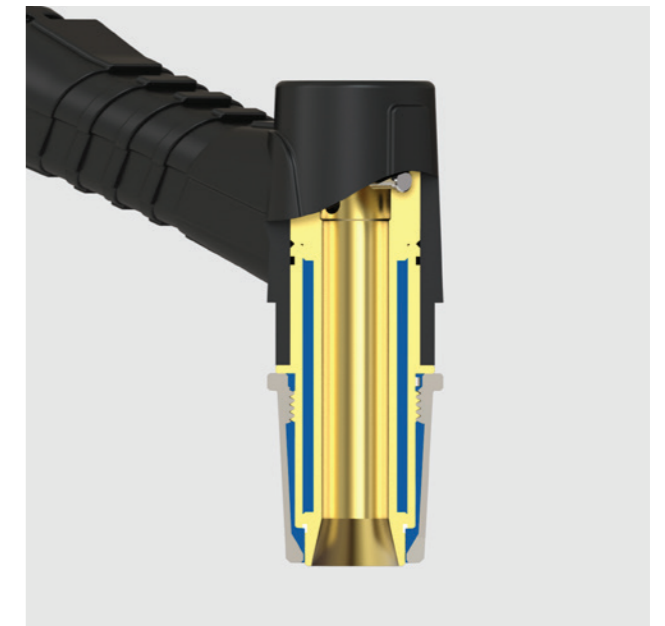
The **ARC TORCHOLOGY** TIG consumable range is now complete, featuring both ceramic and quartz cups. The **Standard Series** covers cup sizes 4 to 10, perfect for your everyday TIG welding. Our all-new **SUPER Series** features larger 12, 14 and 18 cup sizes for maximum gas coverage.

Get unmatched visibility with our quartz cups. Sick of not being able to see what you're doing through your ceramic cup? Swap to a quartz! Made with specially tempered glass, they're extra heat resistant, and they're see-through. On top of great weld visibility, our quartz cups are designed to be used with our gas lens, so the shrouds are wider, giving you greater gas coverage.

Gas Lens Collet Bodies come with a diffuser and a mesh screen, so they're wider, but they distribute gas more evenly and with less turbulence over the weld. You can have the tungsten stick out further, giving you better manoeuvrability and visibility of the weld pool. They're perfect for welding inside corners or in tight spaces.



A highly effective series of passages and wells force cool the collet, maximising conductivity and extending consumable life.



Transferred heat from the ceramic cup is isolated by a unique external barrier resulting in cooler running torches with increased power to weight performance ratios.

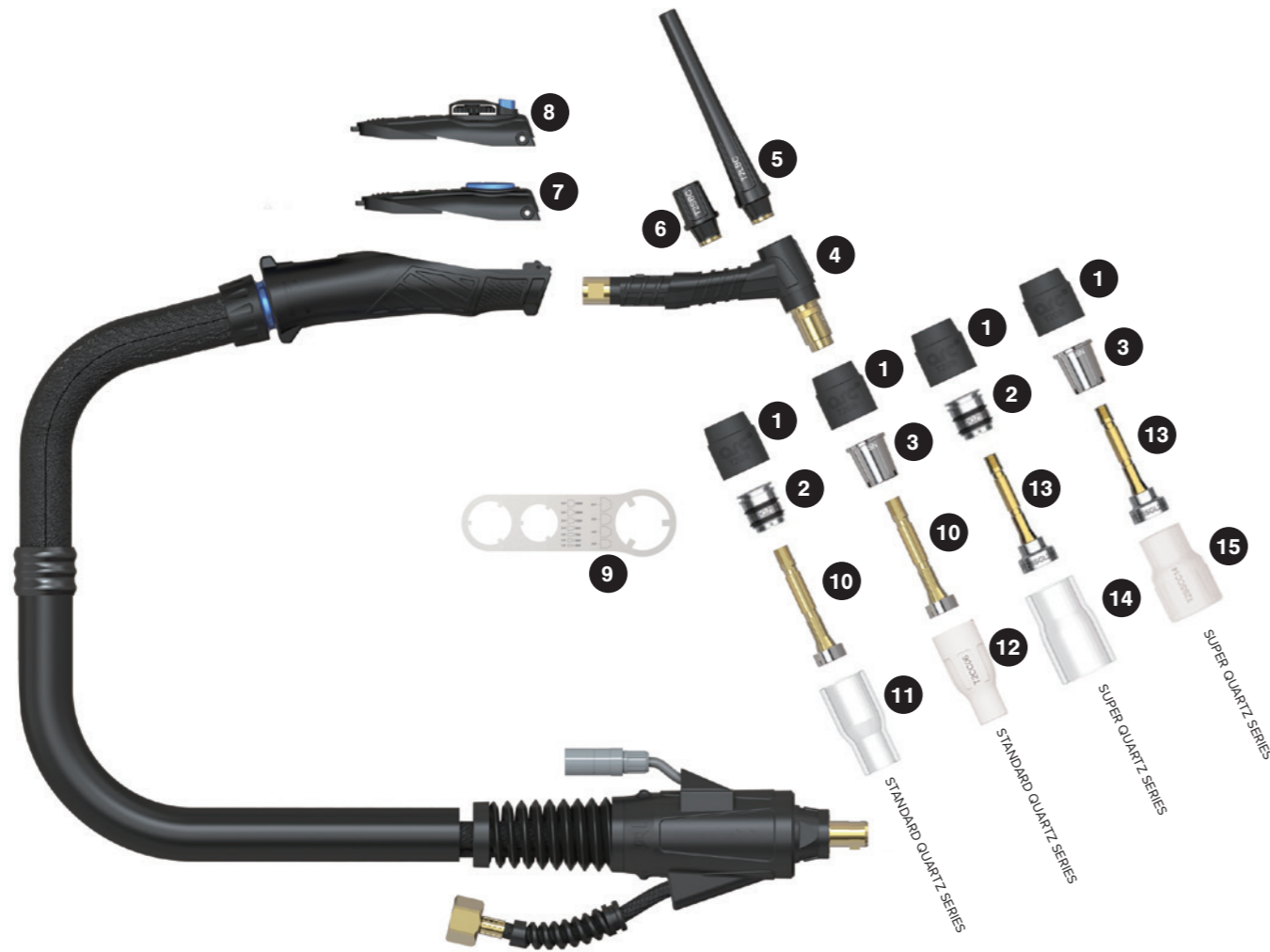


Trouble free extension of the electrode with a 180° twist of the back cap. There is no need to remove any other wear parts to extend the electrode.



High capacity cooling chambers remove excessive heat at source, allowing greater performance from a smaller body on water-cooled torches.

ARC TORCHOLOGY® T2 TIG Torch



Length	4m	8m	4m (EURO)
SKU	UMT2F4M	UMT2F8M	UMT2F4ME

TORCH SPARES		
1	UMCT2HG	T2/T3W HEAD GASKET
2	UMCT2QZSN	T2/T3W QUARTZ ZONE ISOLATOR
3	UMCT2SN	T2/T3W HEAT ZONE ISOLATOR
4	UMCT2THF	T2 TORCH HEAD "FLEXIBLE HEAD"
	U42001	T2 TORCH HEAD - WP17 TORCH FLEX HEAD
	U42002	T2 TORCH HEAD - WP26 TORCH FLEX HEAD
5	UMCT2LBC	T2/T3W LONG BACK CAP
6	UMCT2SBC	T2/T3W SHORT BACK CAP
7	UMCTMS	1 BUTTON MOMENTARY
8	UMCTMK10KP	10K POTENTIOMETER
9	UMCTSPAN	SPANNER
10	See following page	GAS LENS COLLET BODY
11	See following page	QUARTZ CUP
12	See following page	CERAMIC CUP
13	See following page	SUPER SERIES GAS LENS COLLET BODY
14	See following page	SUPER SERIES QUARTZ CUP
15	See following page	SUPER SERIES CERAMIC CUP

TECHNICAL DATA	
COOLING METHOD	Air Cooled
DUTY CYCLE - DC	35% @ 190A
DUTY CYCLE - AC	35% @ 135A
LENGTHS (m)	4/8
DINSE SIZE	35/50
ELECTRODE SIZE	1.0-4.0
STANDARD	EN60974-7

T2 TIG Torch Consumables

10. T2/T3W Gas Lens Collet Body

Part-No	Description	Bore Size	QTY
UMCT2GL10	T2/T3W Gas Lens Collet Body	1.0mm	1
UMCT2GL16	T2/T3W Gas Lens Collet Body	1.6mm	1
UMCT2GL24	T2/T3W Gas Lens Collet Body	2.4mm	1
UMCT2GL32	T2/T3W Gas Lens Collet Body	3.2mm	1

11. T2/T3W Quartz Cup

Part-No	Description	Nozzle	Bore Size	QTY
UMCT2QZ06	T2/T3W Quartz Cup	#6	10mm	1
UMCT2QZ08	T2/T3W Quartz Cup	#8	12mm	1
UMCT2QZ10	T2/T3W Quartz Cup	#10	15mm	1

12. T2/T3W Ceramic Cup

Part-No	Description	Nozzle	Bore Size	QTY
UMCT2C04	T2/T3W Ceramic Cup	#4	6mm	1
UMCT2C05	T2/T3W Ceramic Cup	#5	8mm	1
UMCT2C06	T2/T3W Ceramic Cup	#6	10mm	1
UMCT2C07	T2/T3W Ceramic Cup	#7	11mm	1
UMCT2C08	T2/T3W Ceramic Cup	#8	12.5mm	1
UMCT2C10	T2/T3W Ceramic Cup	#10	16mm	1

13. T2/T3W SUPER Series Gas Lens Collet Body

Part-No	Description	Bore Size	QTY
UMCT2SSGL2016	SUPER12™ Gas Lens Collet Body	1.6mm	1
UMCT2SSGL2024	SUPER12™ Gas Lens Collet Body	2.4mm	1
UMCT2SSGL2032	SUPER12™ Gas Lens Collet Body	3.2mm	1
UMCT2SSGL2316	SUPER14™ Gas Lens Collet Body	1.6mm	1
UMCT2SSGL2324	SUPER14™ Gas Lens Collet Body	2.4mm	1
UMCT2SSGL2332	SUPER14™ Gas Lens Collet Body	3.2mm	1
UMCT2SSGL2816	SUPER18™ Gas Lens Collet Body	1.6mm	1
UMCT2SSGL2824	SUPER18™ Gas Lens Collet Body	2.4mm	1
UMCT2SSGL2832	SUPER18™ Gas Lens Collet Body	3.2mm	1

14. T2/T3W SUPER Series Quartz Cup

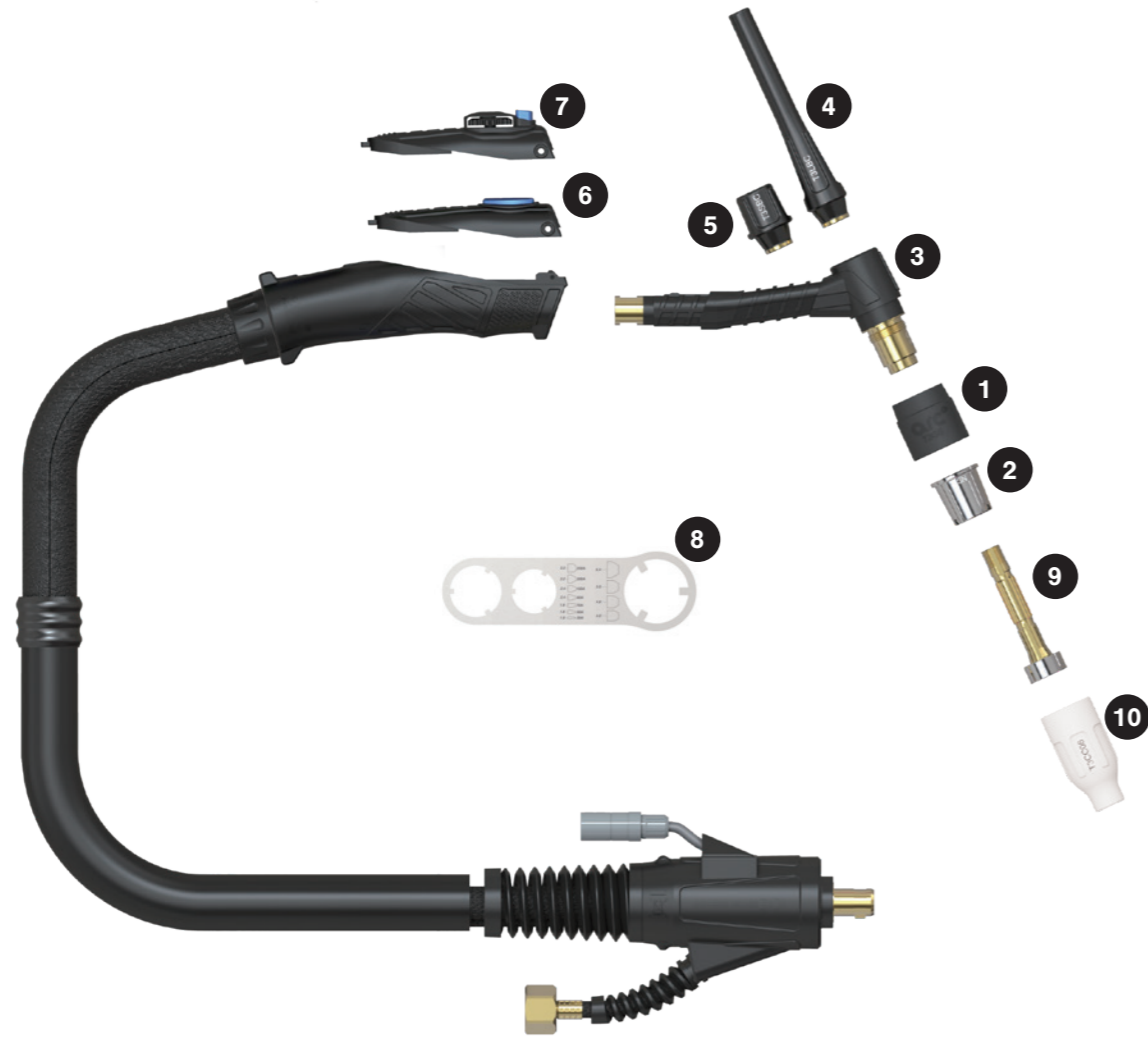
Part-No	Description	Nozzle	Bore Size	QTY
UMCT2SSQZ12	SUPER12™ Quartz Cup	#12	20mm	1
UMCT2SSQZ14	SUPER14™ Quartz Cup	#14	23mm	1
UMCT2SSQZ18	SUPER18™ Quartz Cup	#18	28mm	1

15. T2/T3W SUPER Series Ceramic Cup

Part-No	Description	Nozzle	Bore Size	QTY
UMCT2SSCC12	SUPER12™ Ceramic Cup	#12	20mm	1
UMCT2SSCC14	SUPER14™ Ceramic Cup	#14	23mm	1
UMCT2SSCC18	SUPER18™ Ceramic Cup	#18	28mm	1



ARC TORCHOLOGY® T3 TIG Torch



Length	4m	8m
SKU	UMT3F4M	UMT3F8M

TORCH SPARES		
1	UMCT3HG	T3 HEAD GASKET
2	UMCT3SN	T3 HEAT ISOLATOR
3	UMCT3THF	T3 TORCH HEAD FLEXIBLE HEAD
4	UMCT3LBC	T3 LONG BACK CAP
5	UMCT3SBC	T3 SHORT BACK CAP
6	UMCTMS	1 BUTTON MOMENTARY
7	UMCTMK10KP	10K POTENTIOMETER
8	UMCTSPAN	SPANNER
9	See following page	Gas Lens Collet Body
10	See following page	Ceramic Cup

TECHNICAL DATA	
COOLING METHOD	Air Cooled
DUTY CYCLE - DC	35% @ 240A
DUTY CYCLE - AC	35% @ 170A
LENGTHS (m)	4/8
DINSE SIZE	35/50
ELECTRODE SIZE	1.0-4.8
STANDARD	EN60974-7

T3 TIG Torch Consumables

UP TO
20X
LONGER LIFE*



Part-No	Description	Bore Size	QTY
UMCT3GL16	T3 Gas Lens Collet Body	1.6mm	1
UMCT3GL24	T3 Gas Lens Collet Body	2.4mm	1
UMCT3GL32	T3 Gas Lens Collet Body	3.2mm	1

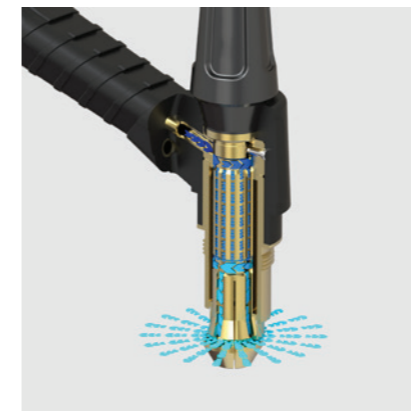
UP TO
5X
LONGER LIFE*



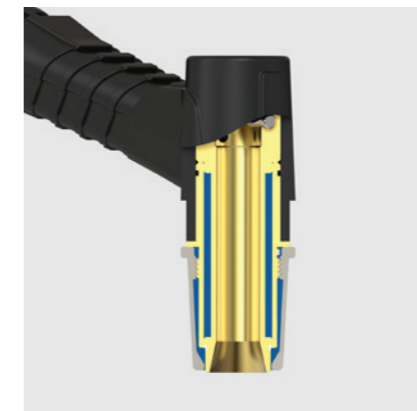
Part-No	Description	Nozzle	Bore Size	QTY
UMCT3C04	T3 Ceramic Cup	#4	6mm	1
UMCT3C05	T3 Ceramic Cup	#5	8mm	1
UMCT3C06	T3 Ceramic Cup	#6	10mm	1
UMCT3C07	T3 Ceramic Cup	#7	11mm	1
UMCT3C08	T3 Ceramic Cup	#8	12.5mm	1
UMCT3C10	T3 Ceramic Cup	#10	16mm	1

OVER
30%
MORE POWER
COMPARED TO SR26

UP TO
20X
LONGER LIFE FROM
CONSUMABLES
SUPERIOR LIFE AND
BETTER PERFORMANCE



A highly effective series of passages and wells force cool the collet, maximising conductivity and extending consumable life.

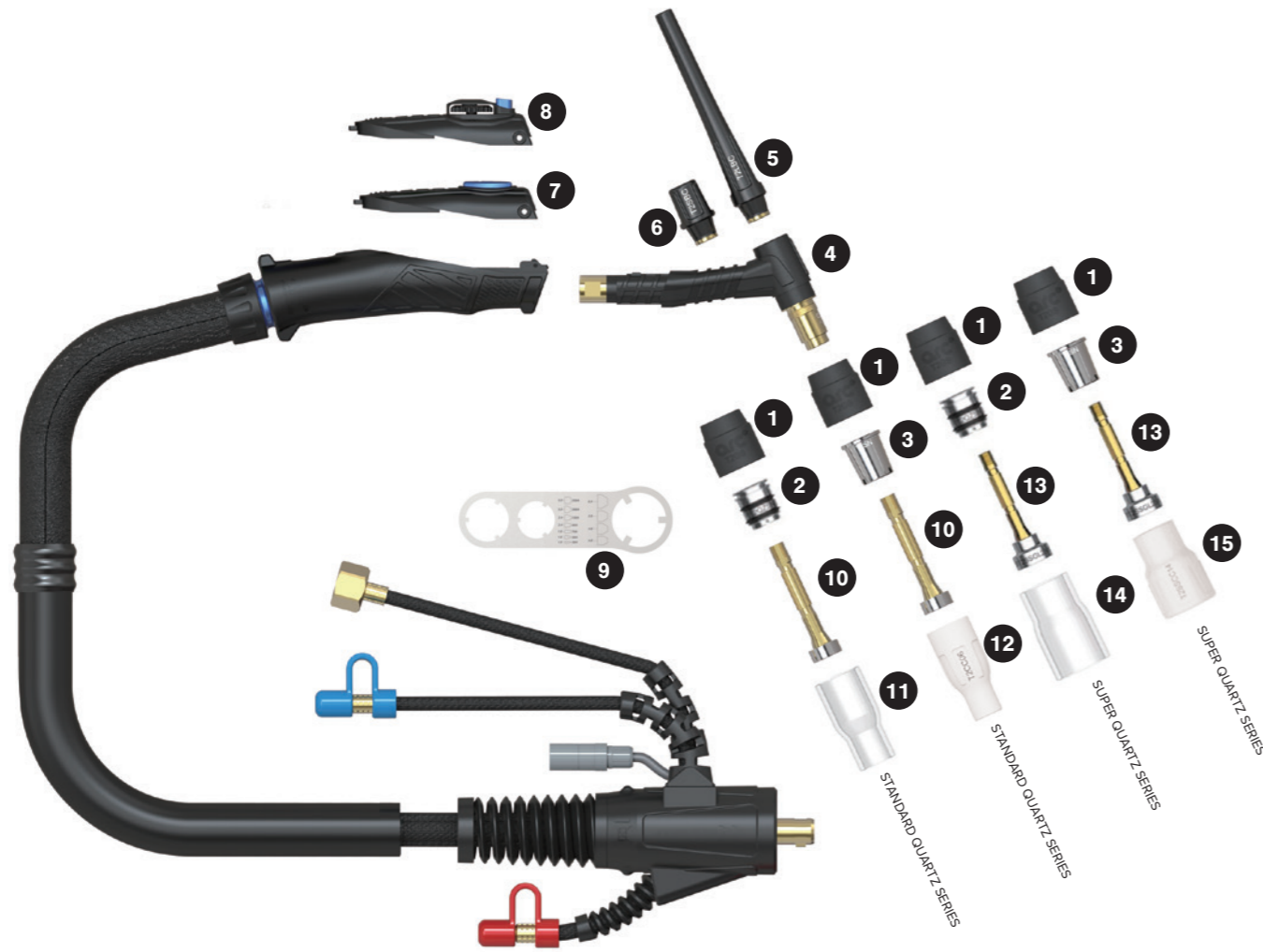


Transferred heat from the ceramic cup is isolated by a unique external barrier resulting in cooler running torches with increased power to weight performance ratios.



Trouble free extension of the electrode with a 180° twist of the back cap. There is no need to remove any other wear parts to extend the electrode.

ARC TORCHOLOGY® T3W TIG Torch



Length	4m	8m
SKU	T3W-3KHL-4M	T3W-3KHL-8M

TORCH SPARES		
1	UMCT2HG	T2/T3W HEAD GASKET
2	UMCT2SN	T2/T3W HEAT ZONE ISOLATOR
3	UMCT2THF	T2 TORCH HEAD "FLEXIBLE HEAD"
4	UMCT2LBC	T2/T3W LONG BACK CAP
	U42001	T2 TORCH HEAD - WP17 TORCH FLEX HEAD
	U42002	T2 TORCH HEAD - WP26 TORCH FLEX HEAD
5	UMCT2SBC	T2/T3W SHORT BACK CAP
6	UMCTMS	1 BUTTON MOMENTARY
7	UMCTMK10KP	10K POTENTIOMETER
8	UMCTSPAN	SPANNER
10	See following page	GAS LENS COLLET BODY
11	See following page	QUARTZ CUP
12	See following page	CERAMIC CUP
13	See following page	SUPER SERIES GAS LENS COLLET BODY
14	See following page	SUPER SERIES QUARTZ CUP
15	See following page	SUPER SERIES CERAMIC CUP

TECHNICAL DATA	
COOLING METHOD	Water Cooled
DUTY CYCLE - DC	100% @ 400A
DUTY CYCLE - AC	100% @ 280A
LENGTHS (m)	4
DINSE SIZE	35/50
ELECTRODE SIZE	1.0-4.0
STANDARD	EN60974-7
MINIMUM WATER FLOW	1.5L/min
MINIMUM WATER INLET PRESSURE	3.0 Bar
MAXIMUM WATER INLET PRESSURE	5.0 Bar
MAXIMUM WATER INLET TEMPERATURE	50°C
MINIMUM COOLING POWER	900W

T3W TIG Torch Consumables

10. T2/T3W Gas Lens Collet Body

Part-No	Description	Bore Size	QTY
UMCT2GL10	T2/T3W Gas Lens Collet Body	1.0mm	1
UMCT2GL16	T2/T3W Gas Lens Collet Body	1.6mm	1
UMCT2GL24	T2/T3W Gas Lens Collet Body	2.4mm	1
UMCT2GL32	T2/T3W Gas Lens Collet Body	3.2mm	1

11. T2/T3W Quartz Cup

Part-No	Description	Nozzle	Bore Size	QTY
UMCT2QZ06	T2/T3W Quartz Cup	#6	10mm	1
UMCT2QZ08	T2/T3W Quartz Cup	#8	12mm	1
UMCT2QZ10	T2/T3W Quartz Cup	#10	15mm	1

12. T2/T3W Ceramic Cup

Part-No	Description	Nozzle	Bore Size	QTY
UMCT2C04	T2/T3W Ceramic Cup	#4	6mm	1
UMCT2C05	T2/T3W Ceramic Cup	#5	8mm	1
UMCT2C06	T2/T3W Ceramic Cup	#6	10mm	1
UMCT2C07	T2/T3W Ceramic Cup	#7	11mm	1
UMCT2C08	T2/T3W Ceramic Cup	#8	12.5mm	1
UMCT2C10	T2/T3W Ceramic Cup	#10	16mm	1

13. T2/T3W SUPER Series Gas Lens Collet Body

Part-No	Description	Bore Size	QTY
UMCT2SSGL2016	SUPER12™ Gas Lens Collet Body	1.6mm	1
UMCT2SSGL2024	SUPER12™ Gas Lens Collet Body	2.4mm	1
UMCT2SSGL2032	SUPER12™ Gas Lens Collet Body	3.2mm	1
UMCT2SSGL2316	SUPER14™ Gas Lens Collet Body	1.6mm	1
UMCT2SSGL2324	SUPER14™ Gas Lens Collet Body	2.4mm	1
UMCT2SSGL2332	SUPER14™ Gas Lens Collet Body	3.2mm	1
UMCT2SSGL2816	SUPER18™ Gas Lens Collet Body	1.6mm	1
UMCT2SSGL2824	SUPER18™ Gas Lens Collet Body	2.4mm	1
UMCT2SSGL2832	SUPER18™ Gas Lens Collet Body	3.2mm	1

14. T2/T3W SUPER Series Quartz Cup

Part-No	Description	Nozzle	Bore Size	QTY
UMCT2SSQZ12	SUPER12™ Quartz Cup	#12	20mm	1
UMCT2SSQZ14	SUPER14™ Quartz Cup	#14	23mm	1
UMCT2SSQZ18	SUPER18™ Quartz Cup	#18	28mm	1

15. T2/T3W SUPER Series Ceramic Cup

Part-No	Description	Nozzle	Bore Size	QTY
UMCT2SSCC12	SUPER12™ Ceramic Cup	#12	20mm	1
UMCT2SSCC14	SUPER14™ Ceramic Cup	#14	23mm	1
UMCT2SSCC18	SUPER18™ Ceramic Cup	#18	28mm	1





T2/T3W Consumable Starter Kit

U42005

We've revamped our TIG consumable starter kits! Now more versatile than ever, we've included a wider range of sizes for ceramic and quartz cups. Our starter kit now comes with everything you need to get welding across a wide range of applications.

- 1 X UMCT2C07 - CERAMIC CUP SIZE 7
- 1 X UMCT2C08 - CERAMIC CUP SIZE 8
- 1 X UMCT2C10 - CERAMIC CUP SIZE 10
- 1 X UMCT2GL16 - GAS LENS COLLET BODY 1.6MM
- 1 X UMCT2GL24 - GAS LENS COLLET BODY 2.4MM
- 1 X UMCT2HG - HEAD GASKET
- 1 X UMCT2SN - HEAT ZONE ISOLATOR

- 1 X UMCT2QZ06 - QUARTZ CUP SIZE 6
- 1 X UMCT2QZ08 - QUARTZ CUP SIZE 8
- 1 X UMCT2QZ10 - QUARTZ CUP SIZE 10
- 1 X UMCT2QZSN - QUARTZ ZONE ISOLATOR
- 2 X TR000516 - RARE EARTH TUNGSTEN ELECTRODE 1.6MM
- 2 X TR000524 - RARE EARTH TUNGSTEN ELECTRODE 2.4MM
- 1 X UMCT2SBC - SHORT BACK CAP



T2/T3W SUPER Series Kit

U42006

Our brand new **SUPER Series Kit** is here! Get the best coverage possible with our range of ceramic and quartz cups in sizes 12, 14 and 18. Paired with the gas lenses and you'll never have another contaminated weld.

- 1 X UMCT2SSGL2016 - SUPER12 GAS LENS COLLET BODY 1.6MM
- 1 X UMCT2SSGL2024 - SUPER12 GAS LENS COLLET BODY 2.4MM
- 1 X UMCT2SSGL2316 - SUPER14 GAS LENS COLLET BODY 1.6MM
- 1 X UMCT2SSGL2324 - SUPER14 GAS LENS COLLET BODY 2.4MM
- 1 X UMCT2SSGL2816 - SUPER18 GAS LENS COLLET BODY 1.6MM
- 1 X UMCT2SSGL2824 - SUPER18 GAS LENS COLLET BODY 2.4MM
- 1 X UMCT2SSCC12 - SUPER12 CERAMIC CUP

- 1 X UMCT2SSCC14 - SUPER14 CERAMIC CUP
- 1 X UMCT2SSCC18 - SUPER18 CERAMIC CUP
- 1 X UMCT2SSQZ12 - SUPER12 QUARTZ CUP
- 1 X UMCT2SSQZ14 - SUPER14 QUARTZ CUP
- 1 X UMCT2SSQZ18 - SUPER18 QUARTZ CUP
- 1 X UMCT2QZSN - QUARTZ HEAT ZONE ISOLATOR



HEAD OFFICE:

112 Christina Rd,
Villawood NSW 2163

PH: (02) 9780 4200
FAX: (02) 9780 4210

EMAIL: sales@unimig.com.au

QLD OFFICE:

19 Commerce Cct,
Yatala QLD 4207

PH: (07) 3333 2855
FAX: (07) 3274 5829

EMAIL: qld@unimig.com.au

VIC OFFICE:

91 Yellowbox Drive,
Craigieburn VIC 3064

PH: (03) 8682 9911
FAX: (03) 9333 7867

EMAIL: vic-sales@unimig.com.au

WA OFFICE:

26 Sustainable Ave,
Bibra Lake WA 6163

PH: (08) 6363 5111
FAX: (08) 9417 4781

EMAIL: wasales@unimig.com.au