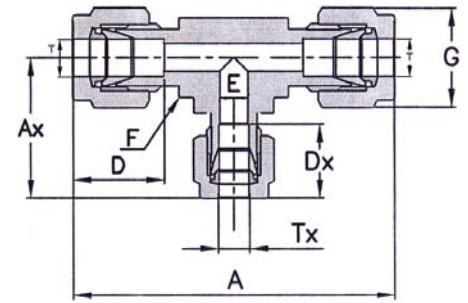


## ■ Reducing Union Tees

Reducing Union Tees



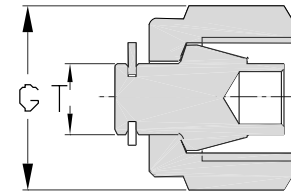
### ENGLISH UNITS

| Model Number     | T Tube O.D. in. | Tx Tube O.D. in. | A in. | Ax in. | D in. | Dx in. | E in. | F Hex Flat in. |
|------------------|-----------------|------------------|-------|--------|-------|--------|-------|----------------|
| SS-RUT-TF6-TF4   | 3/8             | 1/4              | 2.40  | 1.14   | 0.66  | 0.60   | 0.19  | 5/8            |
| SS-RUT-TF8-TF4   | 1/2             | 1/4              | 2.84  | 1.25   | 0.90  | 0.60   | 0.19  | 13/16          |
| SS-RUT-TF8-TF6   | 1/2             | 3/8              | 2.84  | 1.31   | 0.90  | 0.66   | 0.28  | 13/16          |
| SS-RUT-TF10-TF6  | 5/8*            | 3/8              | 3.06  | 1.42   | 0.96  | 0.66   | 0.28  | 15/16          |
| SS-RUT-TF12-TF6  | 3/4             | 3/8              | 3.14  | 1.46   | 0.96  | 0.66   | 0.28  | 1-1/8          |
| SS-RUT-TF12-TF8  | 3/4             | 1/2              | 3.14  | 1.57   | 0.96  | 0.90   | 0.41  | 1-1/8          |
| SS-RUT-TF16-TF6  | 1               | 3/8              | 3.86  | 1.65   | 1.23  | 0.66   | 0.28  | 1-3/8          |
| SS-RUT-TF16-TF8  | 1               | 1/2              | 3.86  | 1.76   | 1.23  | 0.90   | 0.41  | 1-3/8          |
| SS-RUT-TF16-TF12 | 1               | 3/4              | 3.86  | 1.76   | 1.23  | 0.96   | 0.62  | 1-3/8          |

\*: Consult factory

## ■ Plugs

Plugs



### ENGLISH UNITS

| Model Number | T Tube O.D. in. | G Hex Flat in. |
|--------------|-----------------|----------------|
| SS-P-TF2     | 1/8             | 7/16           |
| SS-P-TF3     | 3/16*           | 1/2            |
| SS-P-TF4     | 1/4             | 9/16           |
| SS-P-TF5     | 5/16*           | 5/8            |
| SS-P-TF6     | 3/8             | 11/16          |
| SS-P-TF8     | 1/2             | 7/8            |
| SS-P-TF10    | 5/8*            | 1              |
| SS-P-TF12    | 3/4             | 1-1/8          |
| SS-P-TF16    | 1               | 1-1/2          |

### METRIC UNITS

| Model Number | T Tube O.D. mm | G Hex Flat mm |
|--------------|----------------|---------------|
| SS-P-TF3M    | 3              | 12            |
| SS-P-TF6M    | 6              | 14            |
| SS-P-TF8M    | 8              | 16            |
| SS-P-TF10M   | 10             | 19            |
| SS-P-TF12M   | 12             | 22            |

\*: Consult factory