

# UTILITY SERIES PLATE CASTORS

CAPACITY UP TO 70KG PER CASTOR


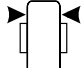
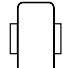
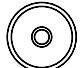






Plate mounted, Richmond's Utility Castor has endless light duty applications including wire baskets, display equipment and light trolley applications.

Zinc plated, pressed metal construction provides an attractive corrosion resistant finish. Together with the choice of nylon or grey non-marking wheels, this castor is truly a utility by name and nature, a must have for all small fabricating, retailers and home handy man purposes.



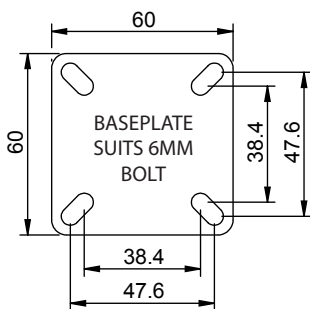
S3710B

## SPECIFICATIONS & FITTINGS

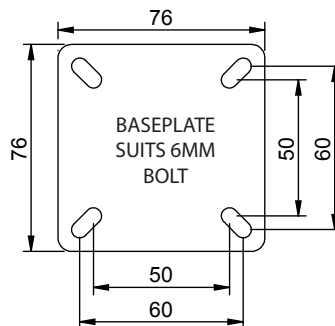
 Diameter (mm)	 Width (mm)	 Wheel Type	 Wheel Code	 Bearing Type	 Load Capacity	 Height (mm)	 Swivel Radius with brake	 Rigid Code	 Swivel Code
50	20	Rubber	NO CODE	Ball	30/25	69	50	R2711	S2710
50	20	Nylon	NO CODE	Plain	30/25	69	50	R2709	S2708
75	25	Rubber	RN3301	Ball	50/40	98	65	R3711	S3710
75	25	Nylon	NY3324	Plain	50/40	98	65	R3709	S3708
100	25	Rubber	RN4401	Ball	70/60	134	90	R4711	S4710
100	25	Nylon	NY4415	Plain	70/60	134	90	R4717	S4716

To order castor with Swivel Lock & Brake, add B to the end of the Swivel Code, eg S3708B indicates a brake castor

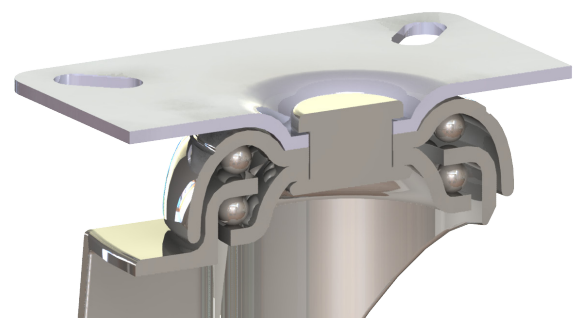
### BASEPLATE DIMENSIONS FOR SWIVEL CASTORS



50MM & 75MM SWIVEL & RIGID



100MM SWIVEL & RIGID



CROSS SECTION UTILITY SERIES PLATE TYPE CASTOR