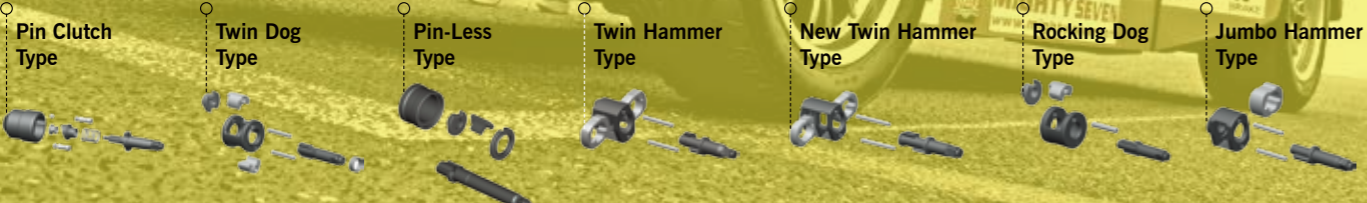
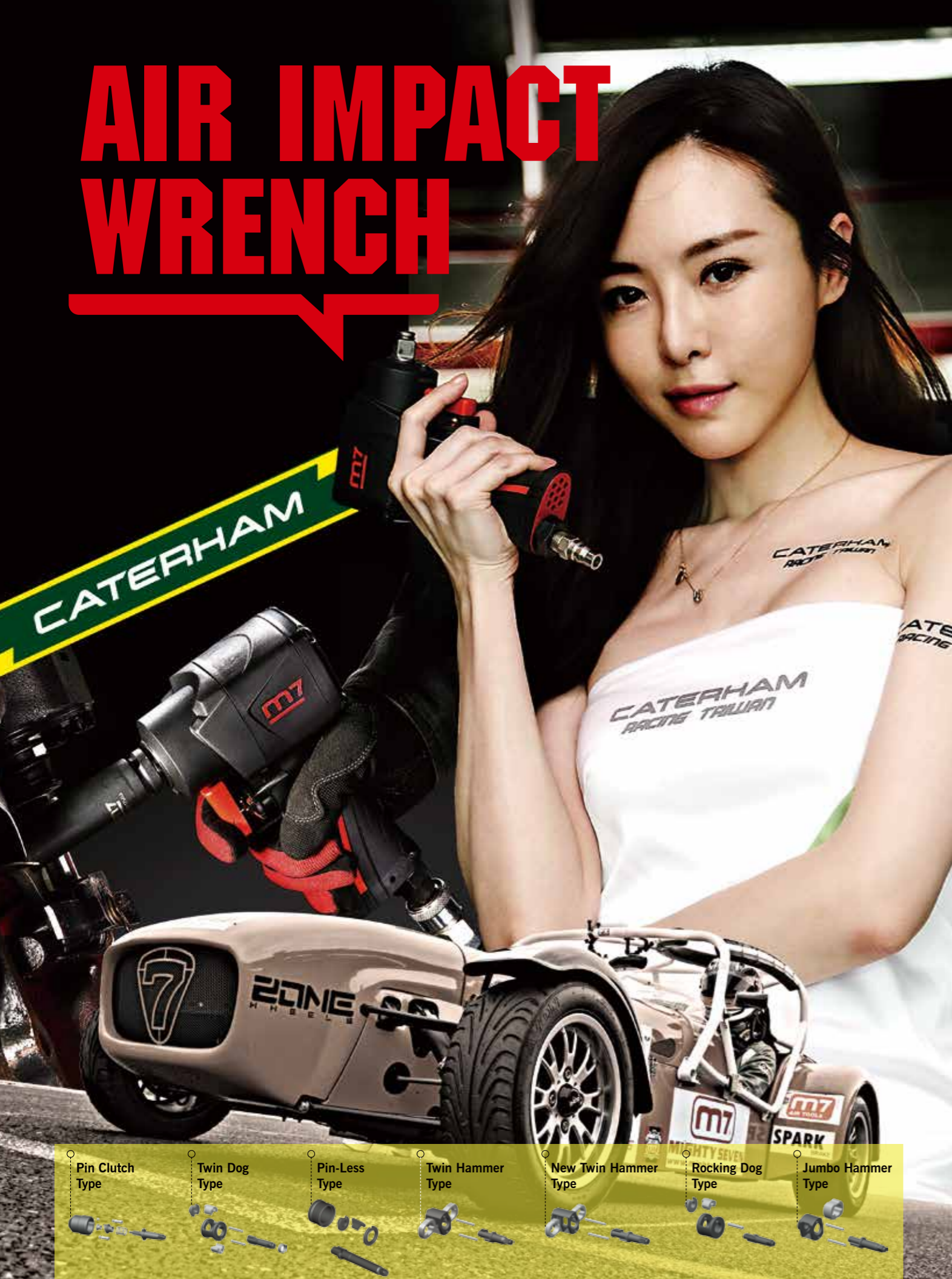


AIR IMPACT WRENCH

CATERHAM



PNEUMATIC TOOLS
GLOBAL EXPANSION



New



NC-4232Q

1/2" DRIVE AIR IMPACT WRENCH

Twin Hammer Type
Air inlet : 1/4"

10 pieces in one carton

WON PTEN
Air tools U.S.A
Innovation award 2015



- + Sophisticated and powerful tool: m7's most advanced composite mini air impact wrench that can use in narrow space.
- + Unbelievable light and compact with only 1.35kg
- + Quiet series: sound pressure only 83 Dba
- + "m7's unique lazy design" that can operate forward/reverse switch with one hand.
- + Twin-hammer impact mechanism provides more torque power and stability, and balanced impact can reduce the vibration.
- + Ergonomic switch design well suited for operator's hand that provides fingers with most comfortability and controllability.
- + m7's unique shark fin shaped body design that creates an esthetics of speed and explosiveness.



	Square Drive	Bolt Capacity	Torque Range	Max Torque	Free Speed	Avg. Air Consumption	Air Pressure	Overall Length	Net Weight	Air Hose	Sound Pressure	Vibration Level
	Inch	Inch (mm)	FT-LB (Nm)	FT-LB Nm	R.P.M	CFM (L/min)	PSI (bar)	Inch (mm)	LBS kg	Inch	dBA	m/s ²
NC-4232Q	1/2"	5/8"(16)	100-400(136-542)	550 746	10000	4.0(113)	90 (6.3)	4-3/4"(120)	3.0 1.38	3/8"	83.0	3.7

AIR IMPACT WRENCH



★★ **NC-3810**

3/8" DRIVE AIR IMPACT WRENCH

Twin Dog Type
Air inlet : 1/4"

20 pieces in one carton

- Butterfly type forward/reverse trigger
- 180 degree turnaround air inlet
- Three speed adjusting switch

30% Lighter **10% Shorter**

Compare With ordinary models



★★ **NC-3610Q**

3/8" DRIVE AIR IMPACT WRENCH

Jumbo Hammer Type
Air inlet : 1/4"

10 pieces in one carton



- Best in class performance for a tool of just 115.5 mm long and weight 1.5 Kg.
- The minimum size of this tool will allow greater access to tight and limited spaces.
- Small but with greater power. Reach 350-ft-lb in just 5 seconds.
- Low noise sound level 85 db.
- Common application to narrow working place and agricultural maintenance.
- Powerful yet compact

★★ **NC-3111**

3/8" DRIVE AIR IMPACT WRENCH

Pin Clutch Type
Air inlet : 1/4"

10 pieces in one carton



★★ **NC-3210**

3/8" DRIVE AIR IMPACT WRENCH

Twin Hammer Type
Air inlet : 1/4"

10 pieces in one carton



★★ **NC-3410**

3/8" DRIVE AIR IMPACT WRENCH

Rocking Dog Type
Air inlet : 1/4"

20 pieces in one carton



★★ **NC-4210**

1/2" DRIVE AIR IMPACT WRENCH

Twin Hammer Type
Air inlet : 1/4"

10 pieces in one carton



64% Lighter **30% Shorter**

Compare With ordinary models

	Square Drive	Bolt Capacity	Torque Range	Max Torque	Free Speed	Avg. Air Consumption	Air Pressure	Overall Length	Net Weight	Air Hose	Sound Pressure	Vibration Level
	Inch	Inch (mm)	FT-LB (Nm)	FT-LB Nm	R.P.M	CFM (L/min)	PSI (bar)	Inch (mm)	LBS kg	Inch	dBA	m/s ²
NC-3111	3/8"	1/2"(13)	70-130(95-176)	160 216	9000	4.0(113)	90 (6.3)	6-7/16" (163)	3.5 1.60	3/8"	93.3	4.1
NC-3210	3/8"	1/2"(13)	100-300(136-407)	350 474	10000	4.0(113)	90 (6.3)	5-5/8" (142)	3.3 1.50	3/8"	92.1	3.6
NC-3410	3/8"	3/8"(10)	5-50(7-68)	75 102	10000	2.5(71)	90 (6.3)	6-1/4" (159)	1.7 0.80	3/8"	92.1	3.6
NC-3610Q	3/8"	1/2"(13)	100-300(136-407)	350 474	8000	4.4(124)	90 (6.3)	4-9/16" (115.5)	3.3 1.50	3/8"	85.0	2.8
NC-3810	3/8"	3/8"(10)	5-50(7-68)	75 102	11000	2.3(65)	90 (6.3)	5-15/32" (139)	1.1 0.50	3/8"	91.0	3.6
NC-4210	1/2"	5/8"(16)	150-350(203-475)	400 542	10000	4.2(119)	90 (6.3)	5-5/8" (142)	3.5 1.60	3/8"	90.6	2.8

AIR IMPACT WRENCH



NC-4231Q

1/2" DRIVE AIR COMPOSITE IMPACT WRENCH

Twin Hammer Type
Air inlet : 1/4"

10 pieces in one carton

- Rotor blades attached with springs which prolong durability.
- Shorter air inlet path to boost air efficiency.
- simple mechanism for easy maintenance.
- Air inlet 360 degree swivel.
- 450ft/lb Composite material lightest Model



NC-4213/4223

1/2" DRIVE AIR IMPACT WRENCH

Twin Hammer Type
Air inlet : 1/4"

NC-4223 is equipped with 2" extended anvil

- Common applications are tyre lanes, heavy maintenance.



10 pieces in one carton



NC-4217

1/2" DRIVE AIR IMPACT WRENCH

Twin Hammer Type
Air inlet : 1/4"

- Common applications include overall automotive service and tyre lanes.



8 pieces in one carton



NC-4233Q

1/2" DRIVE AIR COMPOSITE IMPACT WRENCH

Twin Hammer Type
Air inlet : 1/4"

8 pieces in one carton

45%
Lighter



- Rotor blades attached with springs which prolong durability.
- Shorter air inlet path to boost air efficiency
- simple mechanism for easy maintenance
- Air inlet 360 degree swivel.
- Composite material light design
- 3 setting forward power regulator for controlled run up.



NC-4212/4222

1/2" DRIVE AIR IMPACT WRENCH

Twin Hammer Type
Air inlet : 1/4"

NC-4222 is equipped with 2" extended anvil

8 pieces in one carton



NC-4216/4226

1/2" DRIVE AIR IMPACT WRENCH

Twin Hammer Type
Air inlet : 1/4"

NC-4226 is equipped with 2" extended anvil

- Composite material

10 pieces in one carton



45%
Lighter



	Square Drive Inch	Bolt Capacity Inch (mm)	Torque Range FT-LB (Nm)	Max Torque FT-LB Nm	Free Speed R.P.M	Avg. Air Consumption CFM (L/min)	Air Pressure PSI (bar)	Overall Length Inch (mm)	Net Weight LBS kg	Air Hose Inch	Sound Pressure dBA	Vibration Level m/s ²
NC-4213	1/2"	5/8"(16)	180-400(244-542)	600 813	6500	4.2(119)	90(6.3)	7-3/16"(182)	6.2 2.80	3/8"	91.0	3.8
NC-4223	1/2"	5/8"(16)	180-400(244-542)	600 813	6500	4.2(119)	90(6.3)	9-1/4"(232)	6.4 2.90	3/8"	91.0	3.8
NC-4217	1/2"	5/8"(16)	150-320(203-434)	400 542	7000	4.2(119)	90(6.3)	7-1/4"(184)	5.6 2.50	3/8"	92.1	3.7
NC-4212	1/2"	5/8"(16)	150-300(203-407)	550 746	7000	4.0(113)	90(6.3)	7-13/64"(182)	6.2 2.80	3/8"	86.1	3.7
NC-4222	1/2"	5/8"(16)	150-300(203-407)	550 746	7000	4.0(113)	90(6.3)	9-13/64"(233)	6.6 3.00	3/8"	86.1	3.7
NC-4216	1/2"	5/8"(16)	180-400(244-542)	650 881	9000	4.2(119)	90(6.3)	7-3/4"(195)	4.4 2.00	3/8"	93.9	4.5
NC-4226	1/2"	5/8"(16)	180-400(244-542)	650 881	9000	4.2(119)	90(6.3)	8-7/8"(225)	4.8 2.20	3/8"	93.9	4.5
NC-4231Q	1/2"	5/8"(16)	200-350(271-475)	450 610	10000	4.2(120)	90(6.3)	6-5/16"(160)	2.8 1.30	3/8"	83.0	3.0
NC-4233Q	1/2"	3/4"(19)	200-500(271-678)	850 1152	9000	4.6(132)	90(6.3)	7-1/2"(190)	4.6 2.10	3/8"	85.0	4.4

AIR IMPACT WRENCH

★★★ **NC-4236** 1/2" DRIVE AIR IMPACT WRENCH
Twin Hammer Type
Air inlet : 1/4"
NC-4236Q 8 pieces in one carton



60%
more
Powerful

- Ultimate power reach 1000 ft-lb under 5 seconds
- Dose the toughest job efficiently with durability & quality
- Common applications include Tyre Lanes and Light HGV Maintenance.
- Easy to remove vehicle's crankshaft pulley without removing anything else.

★★★ **NC-4230 / 4240**
NC-4230Q 1/2" DRIVE AIR IMPACT WRENCH
Twin Hammer Type
Air inlet : 1/4"
NC-4240 is equipped with 2" extended anvil



8 pieces in one carton

★★★ **NC-4250Q** 1/2" DRIVE AIR IMPACT WRENCH
Twin Hammer Type
Air inlet : 1/4"



10 pieces in one carton

★★★ **NC-4255Q**
NC-4265Q **New** 1/2" DRIVE AIR IMPACT WRENCH
Twin Hammer Type
Air inlet : 1/4"



- The front housing & back head cover made by magnesium alloy
- Durability composite material

8 pieces in one carton

★★★ **NC-4256Q**
NC-4266Q **New** 1/2" DRIVE AIR IMPACT WRENCH
Twin Hammer Type
Air inlet : 1/4"



- Lightweight
- Balanced weighted body that offers comfort feeling

10 pieces in one carton

★★★ **NC-4258** 1/2" DRIVE AIR IMPACT WRENCH
Twin Hammer Type
Air inlet : 1/4"



8 pieces in one carton

	Square Drive Inch	Bolt Capacity Inch (mm)	Torque Range FT-LB (Nm)	Max Torque FT-LB Nm	Free Speed R.P.M	Avg. Air Consumption CFM (L/min)	Air Pressure PSI (bar)	Overall Length Inch (mm)	Net Weight LBS kg	Air Hose Inch	Sound Pressure dBA	Vibration Level m/s ²
NC-4230	1/2"	3/4"(19)	180-500(244-678)	700 949	7500	4.5(127)	90(6.3)	6-15/32"(164)	5.5 2.50	3/8"	87.0	4.5
NC-4240	1/2"	3/4"(19)	180-500(244-678)	700 949	7500	4.5(127)	90(6.3)	8-15/32"(215)	5.7 2.60	3/8"	87.0	4.5
NC-4230Q	1/2"	3/4"(19)	180-500(244-678)	650 881	6500	4.5(127)	90(6.3)	6-15/32"(164)	5.5 2.50	3/8"	85.0	4.5
NC-4236	1/2"	1(25)	200-700(271-949)	1000 1356	7500	5.5(155)	90(6.3)	6-45/64"(171)	5.7 2.60	3/8"	87.0	4.5
NC-4236Q	1/2"	1(25)	200-700(271-949)	1000 1356	7500	5.5(155)	90(6.3)	6-45/64"(171)	5.7 2.60	3/8"	83.0	4.5
NC-4250Q	1/2"	5/8"(16)	200-350(271-475)	450 610	9000	4.4(124)	90(6.3)	4-15/16"(125)	3.5 1.60	3/8"	83.0	4.5
NC-4255Q	1/2"	1"(25)	200-800(271-1085)	1200 1627	8500	4.8(136)	90(6.3)	7-1/32"(179)	3.7 1.70	3/8"	85.0	4.7
NC-4265Q	1/2"	1"(25)	200-800(271-1085)	1200 1627	8500	4.8(136)	90(6.3)	9-1/32"(230.5)	4.0 1.80	3/8"	85.0	4.7
NC-4250Q	1/2"	5/8"(16)	200-350(271-475)	450 610	9000	6.0(170)	90(6.3)	4-15/16"(125)	3.5 1.60	3/8"	83.0	4.5
NC-4258	1/2"	5/8"(16)	150-300(203-407)	400 542	7000	4.2(119)	90(6.3)	7-1/4"(185)	5.6 2.50	3/8"	93.2	4.4
NC-4256Q	1/2"	1"(25)	200-900(271-1220)	1100 1491	9000	5.1(144)	90(6.3)	5-9/16"(141)	4.0 1.80	3/8"	85.0	2.8
NC-4266Q	1/2"	1"(25)	200-900(271-1220)	1100 1491	9000	5.1(144)	90(6.3)	7-9/16"(191)	4.2 1.90	3/8"	85.0	2.8

AIR IMPACT WRENCH



NC-4610 NC-4610Q

64% Lighter
60% Shorter
Compare With ordinary models

1/2" DRIVE AIR IMPACT WRENCH Jumbo Hammer Type
Air inlet : 1/4"

- Best in class performance for a tool of just 115.5 mm long and weight 1.6 Kg.
- The minimum size of this tool will allow greater access to tight and limited spaces.
- Small but with greater power. Reach 450-ft-lb in just 5 seconds.
- Low noise sound level 85 db.
- Common application to narrow working place and Agricultural maintenance.
- Powerful yet compact

10 pieces in one carton



NC-4611Q

1/2" DRIVE AIR IMPACT WRENCH Jumbo Hammer Type
Air inlet : 1/4"

- m7 3rd generation super mini in length **111mm**.

10 pieces in one carton



NC-4620QN

1/2" DRIVE AIR IMPACT WRENCH Jumbo Hammer Type
Air inlet : 1/4"

10 pieces in one carton

- 1/4" Extended Anvil matching special double sided socket 17mm&19mm and 21mm&22mm specifically for automotive tyres.
- Reduce physical loading 40%.



NC-4630Q

1/2" DRIVE AIR IMPACT WRENCH Jumbo Hammer Type
Air inlet : 1/4"

68% Lighter
60% Shorter
Compare With ordinary models

10 pieces in one carton



LENGTH 97 MM 4TH SHARK GENERATION AIR TOOL

STYLE DESIGN

The design concept is from shark's fins that have speed and explosive force. On the outer shape design, m7 uses shark's fin to shape out the air impact wrench that is strong, speedy, agile like shark. It completely meets your desire for an air impact wrench. The rubber grip embodies not only m7 style exclusively. It has the function to prevent your hand from vibration and slippery while using.



NC-4210N

1/2" DRIVE AIR IMPACT WRENCH Twin Hammer Type
Air inlet : 1/4"

- stubby impact sockets, 6 points:5pcs 13,17,19,22,24 mm

10 pieces in one carton



NC-4610N

1/2" DRIVE AIR IMPACT WRENCH Jumbo Hammer Type
Air inlet : 1/4"

- stubby impact sockets, 6 points:5pcs 13,17,19,22,24 mm

10 pieces in one carton



	Square Drive	Bolt Capacity	Torque Range	Max Torque	Free Speed	Avg. Air Consumption	Air Pressure	Overall Length	Net Weight	Air Hose	Sound Pressure	Vibration Level
	Inch	Inch (mm)	FT-LB (Nm)	FT-LB Nm	R.P.M	CFM (L/min)	PSI (bar)	Inch (mm)	LBS kg	Inch	dBA	m/s ²
NC-4610	1/2"	5/8"(16)	200-350(271-475)	450 610	9000	4.4(124)	90 (6.3)	4-9/16"(115.5)	3.5 1.60	3/8"	93.0	2.8
NC-4610Q	1/2"	5/8"(16)	200-350(271-475)	400 542	9000	4.4(124)	90 (6.3)	4-9/16"(115.5)	3.5 1.60	3/8"	85.0	2.8
NC-4610N	1/2"	5/8"(16)	200-350(271-475)	450 610	9000	4.4(124)	90(6.3)	4-9/16"(115.5)	3.5 1.60	3/8"	93.0	2.8
NC-4210N	1/2"	5/8"(16)	150-350(203-475)	400 542	10000	4.2(119)	90(6.3)	5-5/8"(142)	3.5 1.60	3/8"	90.6	2.8
NC-4611Q	1/2"	5/8"(16)	200-350(271-475)	450 610	10000	4.0(113)	90(6.3)	4-3/8"(111)	3.3 1.50	3/8"	85.0	2.8
NC-4620QN	1/2"	5/8"(16)	200-350(271-475)	450 610	9000	4.4(124)	90(6.3)	6-9/16"(166)	3.7 1.70	3/8"	85.0	2.8
NC-4630Q	1/2"	5/8"(16)	200-350(271-475)	450 610	9000	4.4(124)	90(6.3)	3-27/32"(97)	3.3 1.50	3/8"	85.0	2.8

AIR IMPACT WRENCH



NC-6236 **3/4" DRIVE AIR IMPACT WRENCH**
Twin Hammer Type
Air inlet : 1/4"
NC-6236Q 8 pieces in one carton

- Ultimate power reach 1200 ft-lb under 5seconds
- Does the toughest job efficiently with industrial level quality & durability.



33%
Lighter



NC-6217 **3/4" DRIVE AIR IMPACT WRENCH**
Twin Hammer Type
Air inlet : 3/8"
4 pieces in one carton



NC-6113/6123 **3/4" DRIVE AIR IMPACT WRENCH**
Pin Clutch Type
Air inlet : 1/4"
NC-6123 is equipped with 6" extended anvil
4 pieces in one carton



NC-6210/6220 **NC-6210Q** **3/4" DRIVE AIR IMPACT WRENCH**
Twin Hammer Type
Air inlet : 1/4"
NC-6220 is equipped with 6" extended anvil
8 pieces in one carton

76%
Lighter



NC-6213 **3/4" DRIVE AIR IMPACT WRENCH**
Twin Hammer Type
Air inlet : 3/8"
• Composite material

12%
Lighter



NC-6255Q **3/4" DRIVE AIR IMPACT WRENCH**
Twin Hammer Type
Air inlet : 1/4"

- The front housing & back head cover made by magnesium alloy
- Durability composite material



	Square Drive	Bolt Capacity	Torque Range	Max Torque	Free Speed	Avg. Air Consumption	Air Pressure	Overall Length	Net Weight	Air Hose	Sound Pressure	Vibration Level
	Inch	Inch (mm)	FT-LB (Nm)	FT-LB Nm	R.P.M	CFM (L/min)	PSI (bar)	Inch (mm)	LBS kg	Inch	dBA	m/s ²
NC-6113	3/4"	1"(25)	150-600(203-814)	850 1153	4500	7.0(198)	90(6.3)	10"(252)	10.1 4.60	1/2"	94.3	7.2
NC-6123	3/4"	1"(25)	150-600(203-814)	850 1153	4500	7.0(198)	90(6.3)	14-3/16" (360)	11.6 5.30	1/2"	94.3	7.2
NC-6217	3/4"	1-1/4"(30)	200-1300(271-1762)	1400 1898	4800	5.4(153)	90(6.3)	8-15/32" (215)	11.0 5.00	1/2"	92.0	6.1
NC-6213	3/4"	1-1/16"(27)	200-1000(271-1356)	1200 1627	6000	6.9(195)	90(6.3)	9-7/16" (239)	8.5 3.88	1/2"	92.0	5.0
NC-6236	3/4"	1"(25)	200-900(271-1220)	1200 1627	7500	5.5(155)	90(6.3)	6-45/64" (171)	5.9 2.68	3/8"	87.0	4.5
NC-6236Q	3/4"	1"(25)	200-900(271-1220)	1200 1627	7500	5.5(155)	90(6.3)	6-45/64" (171)	5.9 2.68	3/8"	83.0	4.5
NC-6210	3/4"	3/4"(19)	180-600(244-810)	750 1017	7500	4.5(127)	90(6.3)	6-45/64" (170)	5.6 2.55	3/8"	87.0	4.5
NC-6210Q	3/4"	3/4"(19)	180-600(244-810)	750 1017	6500	4.5(127)	90(6.3)	6-45/64" (170)	5.6 2.55	3/8"	85.0	4.5
NC-6220	3/4"	3/4"(19)	180-600(244-810)	750 1017	6500	4.5(127)	90(6.3)	12-23/32" (323)	6.7 3.08	3/8"	85.0	4.5
NC-6255Q	3/4"	1"(25)	200-1100(271-1491)	1300 1627	8500	4.8(136)	90(6.3)	7-13/16" (198)	4.2 1.90	3/8"	85.0	4.7

AIR IMPACT WRENCH

NC-6216 / 6226

3/4" DRIVE AIR IMPACT WRENCH New Twin Hammer Type
Air inlet : 3/8"

NC-6226 is equipped with 6" extended anvil

- Composite material

4 pieces in one carton

10%
Lighter



NC-6215 / 6225

3/4" DRIVE AIR IMPACT WRENCH New Twin Hammer Type
Air inlet : 1/4"

NC-6225 is equipped with 6" extended anvil

4 pieces in one carton



NC-6218

3/4" DRIVE AIR IMPACT WRENCH Twin Hammer Type
Air inlet : 3/8"

2 pieces in one carton



NC-8212

1" DRIVE AIR IMPACT WRENCH New Twin Hammer Type
Air inlet : 3/8"

- Composite material

4 pieces in one carton



NC-8217

1" DRIVE AIR IMPACT WRENCH Twin Hammer Type
Air inlet : 3/8"

4 pieces in one carton



NC-8219

1" DRIVE AIR IMPACT WRENCH New Twin Hammer Type
Air inlet : 1/2"

- Side exhaust includes silencer for noise reduction

2 pieces in one carton



	Square Drive	Bolt Capacity	Torque Range	Max Torque	Free Speed	Avg. Air Consumption	Air Pressure	Overall Length	Net Weight	Air Hose	Sound Pressure	Vibration Level
	Inch	Inch (mm)	FT-LB (Nm)	FT-LB Nm	R.P.M	CFM (L/min)	PSI (bar)	Inch (mm)	LBS kg	Inch	dBA	m/s²
NC-6215	3/4"	1"(25)	180-600(244-810)	900 1220	6500	7.0(198)	90(6.3)	9-7/32" (234)	10.0 4.50	1/2"	91.5	10.8
NC-6225	3/4"	1"(25)	180-600(244-810)	900 1220	6500	7.0(198)	90(6.3)	13-3/4" (350)	10.8 4.90	1/2"	91.5	10.8
NC-6216	3/4"	1-1/16"(27)	200-1000(271-1356)	1200 1627	6000	6.0(170)	90(6.3)	9-1/4" (235)	9.0 4.10	1/2"	91.2	5.0
NC-6226	3/4"	1-1/16"(27)	200-1000(271-1356)	1200 1627	6000	6.0(170)	90(6.3)	13-3/4" (350)	9.9 4.50	1/2"	91.2	5.0
NC-6218	3/4"	1-1/16"(27)	200-1400(271-1898)	1500 2034	6000	6.34(182)	90(6.3)	12-9/16"(320)	12.5 5.70	1/2"	106.0	3.3
NC-8212	1"	1-1/16"(27)	200-1000(271-1356)	1300 1762	6000	6.0(170)	90(6.3)	9-1/4"(235)	9.6 4.40	1/2"	91.2	5.0
NC-8217	1"	1-1/4"(30)	200-1300(271-1762)	1500 2034	4800	5.4(153)	90(6.3)	8-3/4"(222)	11.0 5.00	1/2"	92.0	6.1
NC-8219	1"	1-7/16"(36)	200-1600(271-2170)	1800 2441	4000	11.0(311)	90(6.3)	12-13/32"(315)	21.6 9.84	1/2"	103.4	16.7

AIR IMPACT WRENCH



NC-8216 / 8226

1" DRIVE AIR IMPACT WRENCH Twin Hammer Type
Air inlet : 1/2"

NC-8226 is equipped with 6" extended anvil

48%
Lighter

2 pieces in one carton



NC-8211 / 8221

1" DRIVE AIR IMPACT WRENCH Twin Hammer Type
Air inlet : 1/2"

NC-8221 is equipped with 6" extended anvil

1 piece in one carton



NC-8242 / 8242-8

1" DRIVE AIR IMPACT WRENCH Twin Hammer Type
Air inlet : 1/2"

NC-8242-8 is equipped with 8" extended anvil

2 piece in one carton NC-8242

1 piece in one carton NC-8242-8



NC-8232

1" DRIVE AIR IMPACT WRENCH New Twin Hammer Type
Air inlet : 1/2"

NC-8232 is equipped with 6" extended anvil

2 pieces in one carton

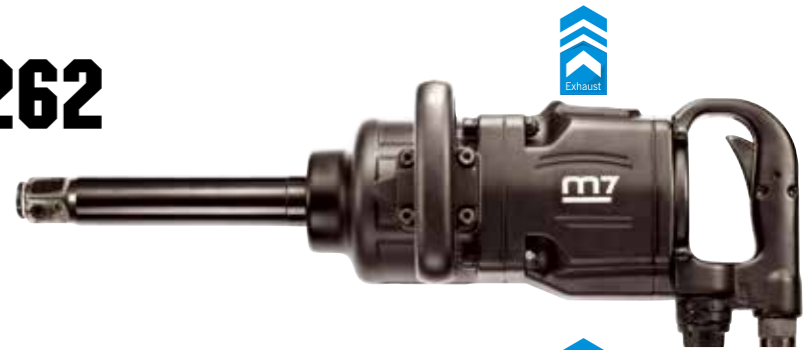


NC-8252 / 8262

1" DRIVE AIR IMPACT WRENCH Twin Hammer Type
Air inlet : 1/2"

NC-8262 is equipped with 6" extended anvil

1 piece in one carton



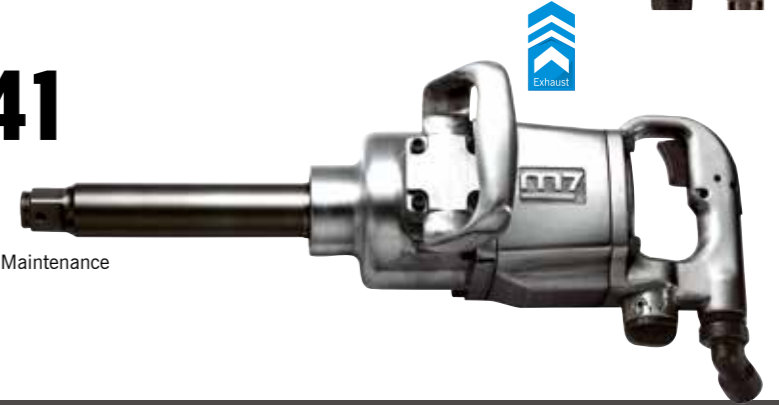
NC-8321 / 8341

1" DRIVE AIR IMPACT WRENCH Pin Less Type
Air inlet : 1/2"

NC-8341 is equipped with 6" extended anvil

Common applications include Tyre Lane and HGV Maintenance

2 pieces in one carton



	Square Drive	Bolt Capacity	Torque Range	Max Torque	Free Speed	Avg. Air Consumption	Air Pressure	Overall Length	Net Weight	Air Hose	Sound Pressure	Vibration Level
	Inch	Inch (mm)	FT-LB (Nm)	FT-LB Nm	R.P.M	CFM (L/min)	PSI (bar)	Inch (mm)	LBS kg	Inch	dBA	m/s ²
NC-8216	1"	1-3/8"(33)	200-1600(271-2170)	1800 2441	6000	9.0(254)	90(6.3)	13-1/2"(343)	15.5 7.00	1/2"	102.0	9.3
NC-8226	1"	1-3/8"(33)	200-1600(271-2170)	1800 2441	6000	9.0(254)	90(6.3)	19-3/16"(487)	18.4 8.40	1/2"	102.0	9.3
NC-8211	1"	1-3/8"(33)	200-1600(271-2170)	1800 2441	5000	10.0(284)	90(6.3)	14-8/15"(370)	22.2 10.10	1/2"	100.0	10.0
NC-8221	1"	1-3/8"(33)	200-1600(271-2170)	1800 2441	5000	10.0(284)	90(6.3)	20-7/8"(530)	25.2 11.50	1/2"	100.0	10.0
NC-8242	1"	1-9/16"(40)	200-2000(271-2710)	2500 3390	5000	15.9(450)	90(6.3)	14-17/32"(370)	23.1 10.50	1/2"	100.0	6.4
NC-8242-8	1"	1-9/16"(40)	200-2000(271-2710)	2500 3390	5000	15.9(450)	90(6.3)	22-15/32"(570)	26.2 11.90	1/2"	100.0	6.4
NC-8252	1"	1-7/16"(36)	200-2000(271-2170)	2400 3250	4000	10.0(284)	90(6.3)	15-3/8"(390)	26.6 12.10	1/2"	100.0	10.0
NC-8262	1"	1-7/16"(36)	200-2000(271-2170)	2400 3250	4000	10.0(284)	90(6.3)	22"(560)	29.7 13.50	1/2"	100.0	10.0
NC-8232	1"	1-7/16"(36)	200-1600(271-2170)	1800 2441	4000	11.0(311)	90(6.3)	20-13/32"(518)	24.8 11.30	1/2"	102	11.5
NC-8321	1"	1-3/8"(33)	200-1600(271-2170)	1800 2441	4000	11.5(325)	90(6.3)	15"(380)	24.0 10.90	1/2"	97.0	6.3
NC-8341	1"	1-3/8"(33)	200-1600(271-2170)	1800 2441	4000	11.5(325)	90(6.3)	20"(510)	27.6 12.50	1/2"	97.0	6.3

AIR IMPACT WRENCH



NC-8382 NC-8382-8

1" DRIVE AIR IMPACT WRENCH
Pin Less Type
Air inlet : 1/2"

38% more Powerful
40% Lighter

Compare With ordinary models

NC-8382-8 is equipped with 8" extended anvil



- Max. torque 2500 ft-lb (reverse in 5 seconds).
- Weight 30% less comparing with equal torque output models to reduce physical loading 30%.
- Torque output 38% higher comparing with equal weight models, such as NC-8341.
- Two-stage trigger for easier operation.

2 piece in one carton NC-8382
1 piece in one carton NC-8382-8



NC-8311/8351

1" DRIVE AIR IMPACT WRENCH
Pin Less Type
Air inlet : 1/2"

NC-8351 is equipped with 6" extended anvil

2 pieces in one carton



NC-8322/8342

1" DRIVE AIR IMPACT WRENCH
Pin Less Type
Air inlet : 1/2"

NC-8342 is equipped with 8" extended anvil

1 pieces in one carton



NC-8322/8342

1" DRIVE AIR IMPACT WRENCH
Pin Less Type
Air inlet : 1/2"

NC-8342 is equipped with 8" extended anvil

1 pieces in one carton



NC-8362/8372

1" DRIVE AIR IMPACT WRENCH
Pin Less Type
Air inlet : 1/2"

NC-8372 is equipped with 6" extended anvil

1 pieces in one carton



NC-9223/9243

1-1/2" DRIVE AIR IMPACT WRENCH
New Twin Hammer Type
Air inlet : 1/2"

Common applications include Energy and Gas Maintenance and Manufacturing.

1 piece in one carton



	Square Drive	Bolt Capacity	Torque Range	Max Torque	Free Speed	Avg. Air Consumption	Air Pressure	Overall Length	Net Weight	Air Hose	Sound Pressure	Vibration Level
	Inch	Inch (mm)	FT-LB (Nm)	FT-LB Nm	R.P.M	CFM (L/min)	PSI (bar)	Inch (mm)	LBS kg	Inch	dBA	m/s ²
NC-8382	1"	1-3/8"(33)	200-2000(271-2710)	2500 3390	5000	15.9(450)	90(6.3)	14-17/32"(370)	22.0 11.00	1/2"	100.0	6.4
NC-8382-8	1"	1-3/8"(33)	200-2000(271-2710)	2500 3390	5000	15.9(450)	90(6.3)	22-15/32"(570)	27.5 12.50	1/2"	100.0	6.4
NC-8311	1"	1-3/8" (33)	200-1600(271-2170)	1800 2441	4000	11.5(325)	90(6.3)	15" (380)	24.0 10.90	1/2"	101.0	7.3
NC-8351	1"	1-3/8" (33)	200-1600(271-2170)	1800 2441	4000	11.5(325)	90(6.3)	20" (510)	27.6 12.50	1/2"	101.0	7.3
NC-8322	1"	1-7/16" (36)	200-2000(271-2170)	2500 3390	3300	11.0(311)	90(6.3)	17-5/16" (440)	34.2 15.50	1/2"	93.9	8.8
NC-8342	1"	1-7/16" (36)	200-2000(271-2170)	2500 3390	3300	11.0(311)	90(6.3)	24-3/8" (619)	38.0 17.30	1/2"	93.9	8.8
NC-8362	1"	1-7/16" (36)	200-2000(271-2170)	2500 3390	3700	11.0(284)	90(6.3)	17-7/8" (455)	35.2 16.00	1/2"	93.9	8.8
NC-8372	1"	1-7/16" (36)	200-2000(271-2170)	2500 3390	3700	11.0(284)	90(6.3)	24-7/32" (615)	38.7 17.60	1/2"	93.9	8.8
NC-9223	1-1/2"	2"(50)	200-3000(271-4065)	3500 4746	3000	16.0(453)	90(6.3)	17-3/4" (450)	43.2 19.70	3/4"	104.5	8.8
NC-9243	1-1/2"	2"(50)	200-3000(271-4065)	3500 4746	3000	16.0(453)	90(6.3)	24-1/4" (616)	50.2 22.8	3/4"	104.5	8.8

AIR IMPACT WRENCH



NC-3821 New

3/8" DRIVE AIR IMPACT WRENCH
New Twin Hammer Type
Air inlet : 3/8"

12 pieces in one carton



NC-3831 New

3/8" DRIVE AIR IMPACT WRENCH
New Twin Hammer Type
Air inlet : 1/4"

12 pieces in one carton



NC-4811 New

1/2" DRIVE AIR IMPACT WRENCH
Twin Hammer Type
Air inlet : 3/8"

12 pieces in one carton



NE-399 / 499

3/8" & 1/2" DRIVE AIR IMPACT RATCHET

Air inlet : 1/4"

8 pieces in one carton



- Max. torque 250ft-lb.
- Forward & reverse ring control.
- Composite rubber covered grip to increase holding feel.
- Jumbo-hammer mechanism.



NE-499N [SET]

1/2" DRIVE AIR IMPACT RATCHET

Air inlet : 1/4"

8 pieces in one carton

- Air Impact Ratchet : 1pc (NE-499)
- Stubby impact sockets, 6 points :
9pcs 9, 10, 11, 13, 14, 17, 19, 22, 24 mm
- 1/4" plug : 1pc



	Square Drive	Bolt Capacity	Torque Range	Max Torque	Free Speed	Avg. Air Consumption	Air Pressure	Overall Length	Net Weight	Air Hose	Sound Pressure	Vibration Level
	Inch	Inch (mm)	FT-LB (Nm)	FT-LB Nm	R.P.M	CFM (L/min)	PSI (bar)	Inch (mm)	LBS kg	Inch	dBA	m/s ²
NC-3821	3/8"	1/2"(13)	66-120 (89~162)	----	8000	10(283)	90 (6.3)	7-31/64" (190)	2.3 1.06	3/8"	97.0	5.1
NC-3831	3/8"	1/2"(13)	80-120 (108~162)	----	8000	10(283)	90 (6.3)	7-9/32" (185)	2.8 1.30	3/8"	93.0	4.9
NC-4811	1/2"	5/8"(16)	118~140 (160~189)	----	5500	8.5(240)	90 (6.3)	10-9/32" (260)	3.7 1.70	3/8"	85.0	5.3
NE-499	1/2"	9/16"(14)	50-150(68-203)	250 339	7500	2.45(69.4)	90(6.3)	13-3/8"(340)	4.0 1.83	3/8"	93.0	9.9
NE-399	3/8"	1/2"(13)	50-130(68-176)	180 244	7500	2.45(69.4)	90(6.3)	13-3/8"(340)	4.0 1.83	3/8"	93.0	9.9

AIR IMPACT WRENCH

NC-0410 [SET]

1/2" DRIVE AIR IMPACT WRENCH 10PCS

- 1pc - Air Impact Wrench
- 5pcs - Impact sockets, 6 points, standard length 11, 13 mm, deep version 17, 19, 21mm
- 1pc - Extension bar 3"
- 1pc - Mini Oiler 1/4" female x 1/4" male
- 1pc - 1/4" plug
- 1pc - Oil box

4 pieces in one carton



NC-0415 [SET]

1/2" DRIVE AIR IMPACT WRENCH 15PCS

- 1pc-1/2" Air Impact Wrench
- 10pcs-Impact sockets, 6 points, standard length 9, 10, 11, 13, 14, 17, 19, 22, 24, 27mm
- 1pc-Extension bar 5"
- 1pc-Allen Key : 4mm
- 1pc-Mini Oiler 1/4" female x 1/4" male
- 1pc-1/4" plug

5 pieces in one carton



NC-0615 [SET]

3/4" DRIVE AIR IMPACT WRENCH 15PCS

- 1pc-3/4" Air Impact Wrench
- 8pcs-Impact sockets, 6 points, standard length 26, 27, 29, 30, 32, 35, 36, 38mm
- 1pc-Extension bar 7"
- 1pc-Universal Joint
- 2pcs-Allen Key : 4mm, 5mm
- 1pc-Mini Oiler 1/4"-6113,6215, 3/8"-6216
- 1pc-1/4" plug - 6113.6215, 3/8" plug - 6216
- 1pc-O-Ring&Pin

2 pieces in one carton



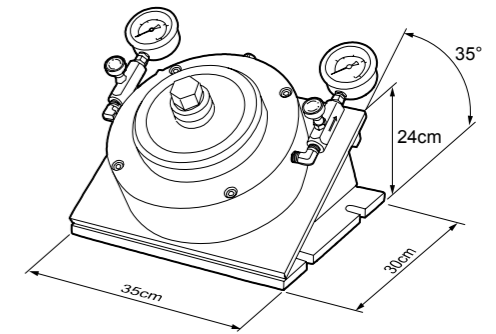
ZT-13-1 Forward ZT-13-2 Reverse

Torque Test Machine (Ski-Moer Type)

Torque testing for maintaining pneumatic impact wrenches

- Applicable Range: 50ft-lb~2000ft-lb(70Nm~2700Nm)
- Max. Torque: 3500 ft-lb(5000Nm)
- Applicable Size:SQ.DR-1/2" ~3/4"
- Measuring Direction:ZT-13-1Forward/ZT-13-2Reverse
- Screw Size:M32
- Length x Width:35cm*30cm
- Weight:49KG

(Diagram Illustration)



ZT-13-3

Digital Torque Tester (Electric Type)

For testing and maintaining pneumatic impact wrenches

- Applicable Range:90ft-lb~1800ft-lb(125Nm~2500Nm)
 - Square Drive:SQ.DR-1/2" ~ 3/4"
 - Applicable Voltage:110V~220V
 - Measuring Direction:Forward/Reverse
 - Length x Width:55cm*23cm
 - Weight:32KG
- (Diagram Illustration)

