

MOBILE BENCH

Twin Lid
13 Drawer
1600mm **K7371**

OPERATION MANUAL



IMPORTANT:

This operating manual contains important safety information, read carefully & understand all information before operating the mobile bench. Save this manual for future use.



Do not open more than one drawer at a time.



Do not step on drawers.



Do not let children near the Toolbox.



Do not separate Chest from Trolley.



Do not exceed Drawer Load Limit



Not suitable for mounting in Vehicles



Set the brake on the locking castors unless your are moving the Toolbox.



Lock drawers and lid before moving the Toolbox.



PARTS LIST



MEASUREMENTS:

WEIGHT: 198 KG

| | | | | | |
|----------------------------|---------|--------------|--------|---------------|--------|
| WIDTH | 1600 mm | DEPTH | 635 mm | HEIGHT | 1000mm |
| LEFT TOP DRAWER: | | | | | |
| WIDTH | 833 mm | DEPTH | 561 mm | HEIGHT | 120 mm |
| LEFT SMALL DRAWER: | | | | | |
| WIDTH | 833 mm | DEPTH | 561 mm | HEIGHT | 78 mm |
| LEFT LARGE DRAWER: | | | | | |
| WIDTH | 833 mm | DEPTH | 561 mm | HEIGHT | 136 mm |
| RIGHT SMALL DRAWER: | | | | | |
| WIDTH | 590 mm | DEPTH | 561 mm | HEIGHT | 78 mm |
| RIGHT LARGE DRAWER: | | | | | |
| WIDTH | 590 mm | DEPTH | 561 mm | HEIGHT | 136 mm |
| TOP TRAY x2: | | | | | |
| WIDTH | 719 mm | DEPTH | 530 mm | HEIGHT | 101 mm |

BENCH RATING: 25KG (PER BENCH)

DRAWER RATING: 25KG (PER DRAWER)

CASTOR RATING: 1000KG (6 PIECES)

NOTE: Castors are pre fitted

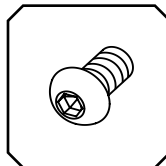
INCLUDED:



Keys x 2



Trolley Handle x 1



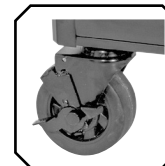
4 x Hex 6mm Bolts for Trolley Handle



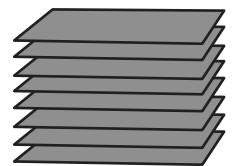
12mm x 25 Bolts (24) for Castors



Non-Locking Castors (2)



Locking Castors (4)



15 x EVA Liners

TOOLS & ASSISTANCE REQUIRED FOR TROLLEY:



2 People



For Castors:
12mm Spanner



For Handle:
5mm Hex Key

MOBILE BENCH

Twin Lid
13 Drawer
1600mm **K7371**

ASSEMBLY INSTRUCTIONS



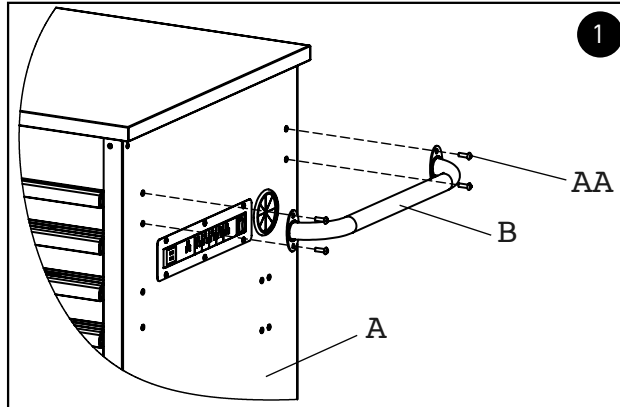
CAUTION: Two people are recommended for assembly.

Step 1: Attaching the Cabinet Handle

- Position the cabinet handle (B) over the holes on the cabinet (A).
- Attach with the bolts (AA) and tighten with supplied hex key(BB).



NOTE: The Holes in the cabinet are tapped and do not require nuts

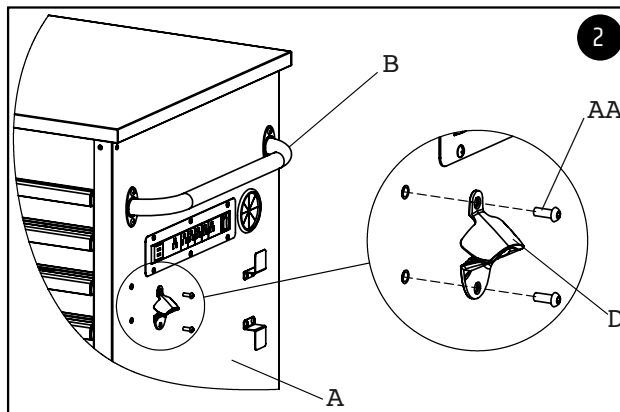


Step 2: Attaching the bottle opener

- Position the bottle opener (D) over the holes of the cabinet (A)
- Attach with the bolts (AA) and tighten with supplied hex key(BB).

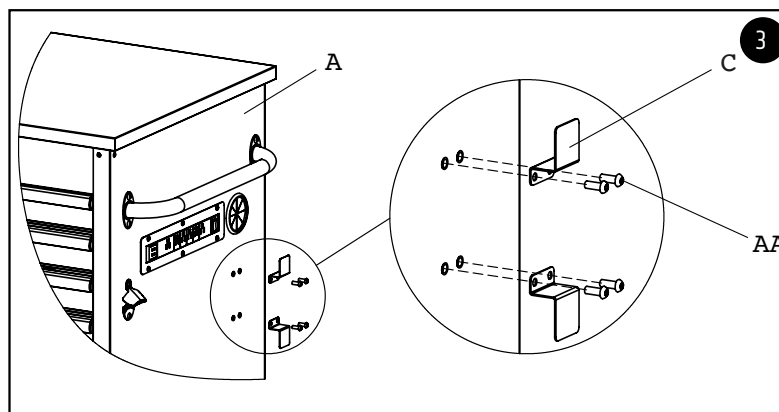


CAUTION: Do not over tighten the bolts.



Step 3: Attaching the storage hook

- Position the hook (C) over the holes of the cabinet (A)
- Attach with the bolts (AA) and tighten with supplied hex key(BB).



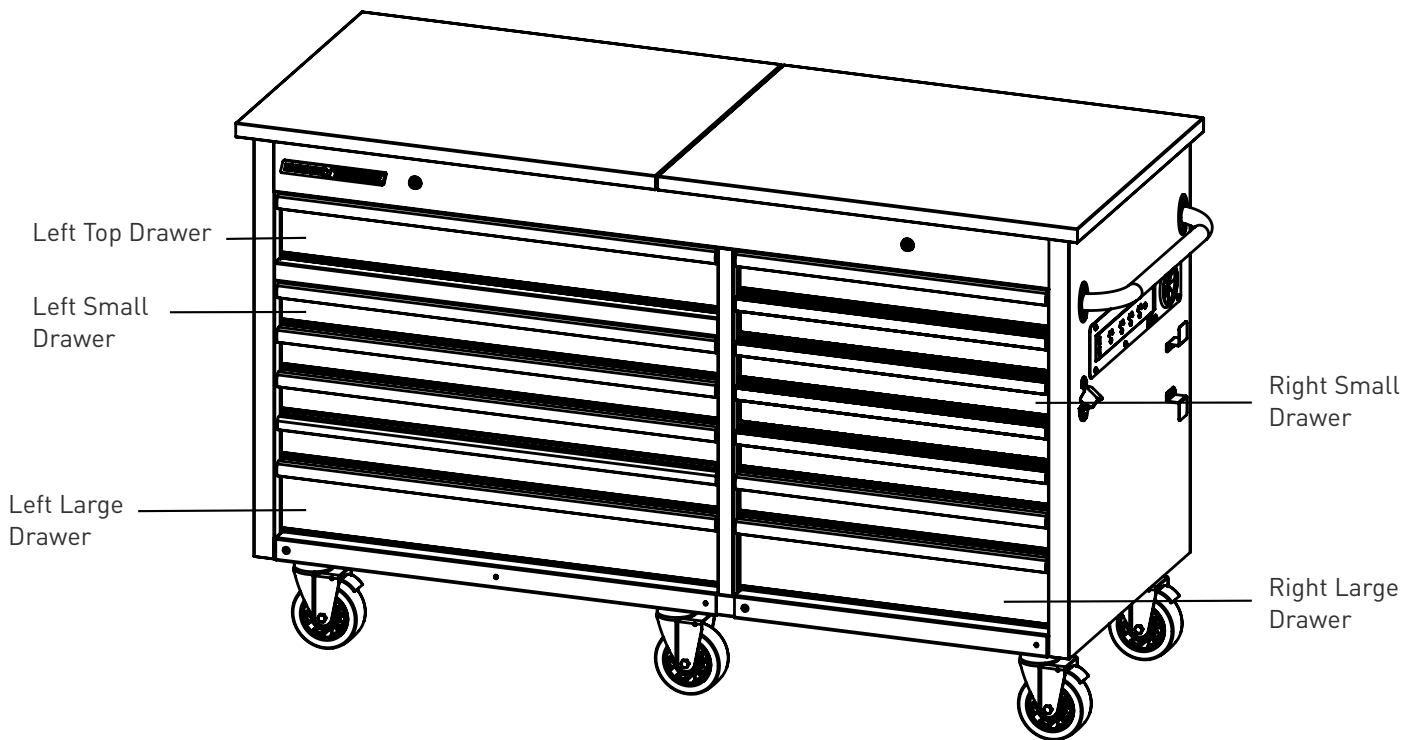
MAINTENANCE

- Periodically tighten all hardware
- Periodically lubricate castors
- Lubricate the slides twice a year
- Lubricate the lock with graphite annually
- Use a damp Microfibre cloth to clean all surfaces
- Use stainless steel cleaner, to clean stainless steel surfaces

MOBILE BENCH

Twin Lid
13 Drawer
1600mm **K7371**

TECHNICAL SPECIFICATIONS



LEFT TOP DRAWER:

| | | | | | |
|--------------|--------|--------------|--------|---------------|--------|
| WIDTH | 833 mm | DEPTH | 561 mm | HEIGHT | 120 mm |
|--------------|--------|--------------|--------|---------------|--------|

LEFT SMALL DRAWER:

| | | | | | |
|--------------|--------|--------------|--------|---------------|-------|
| WIDTH | 833 mm | DEPTH | 561 mm | HEIGHT | 78 mm |
|--------------|--------|--------------|--------|---------------|-------|

LEFT LARGE DRAWER:

| | | | | | |
|--------------|--------|--------------|--------|---------------|--------|
| WIDTH | 833 mm | DEPTH | 561 mm | HEIGHT | 136 mm |
|--------------|--------|--------------|--------|---------------|--------|

RIGHT SMALL DRAWER:

| | | | | | |
|--------------|--------|--------------|--------|---------------|-------|
| WIDTH | 590 mm | DEPTH | 561 mm | HEIGHT | 78 mm |
|--------------|--------|--------------|--------|---------------|-------|

RIGHT LARGE DRAWER:

| | | | | | |
|--------------|--------|--------------|--------|---------------|--------|
| WIDTH | 590 mm | DEPTH | 561 mm | HEIGHT | 136 mm |
|--------------|--------|--------------|--------|---------------|--------|

TOP TRAY X2:

| | | | | | |
|--------------|--------|--------------|--------|---------------|--------|
| WIDTH | 719 mm | DEPTH | 530 mm | HEIGHT | 101 mm |
|--------------|--------|--------------|--------|---------------|--------|

MOBILE BENCH

Twin Lid
13 Drawer
1600mm **K7371**

PARTS LIST



SPARE PARTS

| ITEM | PART NO. | DESCRIPTION | QUANTITY |
|------|----------|--------------------------------|----------|
| 1 | K7371-1 | Lock & Key | 2 |
| 2 | K7371-2 | Key Only (Specify Number) | 2 |
| 3 | K7371-13 | Ball Bearing Slide Pair (Deep) | 13 |
| 4 | K7371-3 | Stainless Steel Top | 2 |
| 5 | K7371-4 | Trolley Handle + Bolts | 1 |
| 6 | K7371-5 | Power Board Cover + Bolts | 1 |
| 7 | K7371-6 | Power Board | 1 |

| ITEM | PART NO. | DESCRIPTION | QUANTITY |
|------|----------|--------------------------------|----------|
| 8 | K7371-7 | Power Lead Hook | 2 |
| 9 | K7371-8 | Bottle Opener | 1 |
| 10 | K7371-9 | Gas Struts (Pair) | 2 |
| 11 | K7371-10 | Castor Pack (6) | 1 |
| 12 | K7371-11 | Castor Bolt & Washer Pack | 1 |
| 13 | K7371-12 | EVA Liner Pack | 15 |
| 14 | K7366-11 | Trade Centre Badge | 1 |
| 15 | K7399 | T/Centre Matched Key Pack (10) | 1 |

National Head Office
National Distribution and Showroom
3 Lakeview Dve, Caribbean Business Park
Scoresby Victoria 3179 Australia
ABN 41 007 185 006

Administration
T (03) 9730 7100 F (03) 9730 7199
E enquiries@kincrome.com.au
W kincrome.com.au

Customer Service Centre
T 1300 657 528 F 1300 556 005

Made to Kincrome Tools & Equipment Pty Ltd global specifications and quality standards in China



Australia & Global
www.kincrome.com.au
enquiries@kincrom.com.au