

TOOL TROLLEY 7 Drawer 680mm **K7367**

OPERATION MANUAL



IMPORTANT:

This operating manual contains important safety information, read carefully & understand all information before operating the trolley. Save this manual for future use.



Do not open more than one drawer at a time.



Do not step on drawers.



Do not let children near the Toolbox.



Do not separate Chest from Trolley.



Do not exceed Drawer Load Limit



Not suitable for mounting in Vehicles



Set the brake on the locking castors unless you are moving the Toolbox.



Lock drawers and lid before moving the Toolbox.



PARTS LIST



MEASUREMENTS:

WEIGHT: 60 KG

WIDTH	679mm	DEPTH	461 mm	HEIGHT	959 mm
--------------	-------	--------------	--------	---------------	--------

SMALL DRAWER:

WIDTH	590mm	DEPTH	416 mm	HEIGHT	60 mm
--------------	-------	--------------	--------	---------------	-------

MIDDLE DRAWER:

WIDTH	590mm	DEPTH	416 mm	HEIGHT	78 mm
--------------	-------	--------------	--------	---------------	-------

LARGE DRAWER:

WIDTH	590mm	DEPTH	416 mm	HEIGHT	106 mm
--------------	-------	--------------	--------	---------------	--------

DEEP DRAWER:

WIDTH	590mm	DEPTH	416 mm	HEIGHT	163mm
--------------	-------	--------------	--------	---------------	-------

BENCH RATING: 75KG

DRAWER RATING: 25KG (PER DRAWER)

CASTOR RATING: 600KG (4 PIECES)

INCLUDED:



Keys x 2



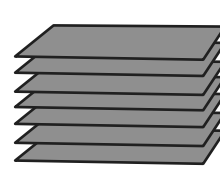
12mm x 16 Bolts for Castors



Non-Locking Castors (2)

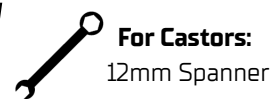


Locking Castors (2)



7 x Liners

TOOLS & ASSISTANCE REQUIRED FOR TROLLEY:



TOOL TROLLEY 7 Drawer 680mm K7367

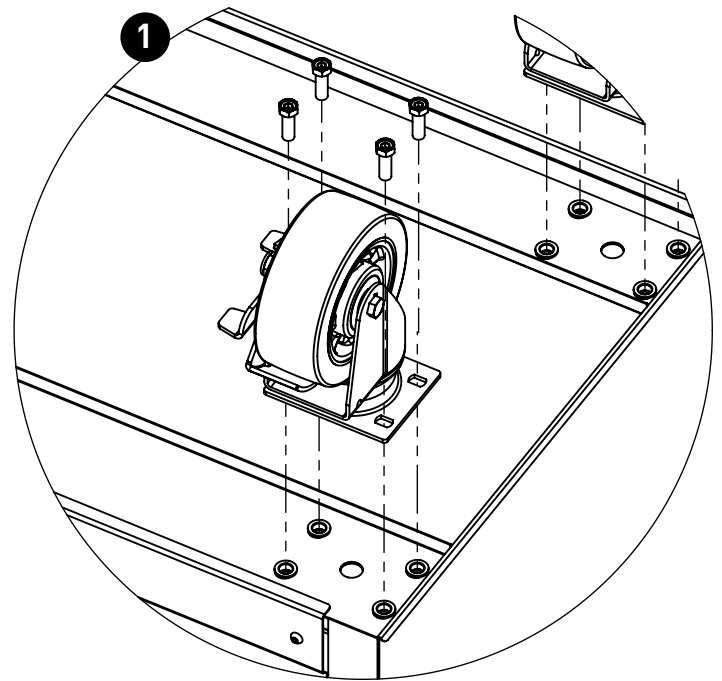
ASSEMBLY INSTRUCTIONS

1 Castor Installing (If applicable)

- Be sure the drawers are locked and lay the trolley upside down.
- Secure castors to the unit using the 12mm bolts provided.
- Tighten with a 12mm Spanner.
- Repeat this process for the castors on the opposite of the trolley.
- Return the trolley to its upright position.

Caution: Do not over tighten the bolts.

Caution: Both locking castors must be fitted to front of trolley.



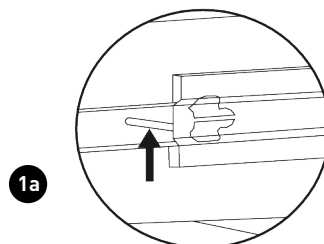
MAINTENANCE

1 Removing the Drawers

- Fully extend the empty drawer.
- Push up the right release lever while pushing down the left release lever.
- Pull the drawer outward until it is released from the drawer slide.

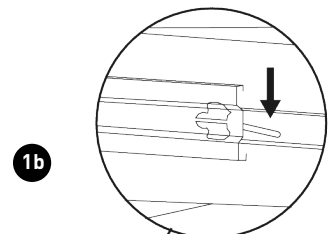
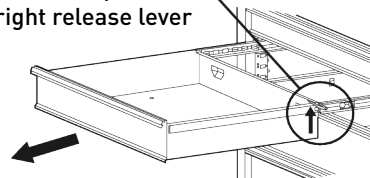
2 Re-Inserting The Drawers

- Extend the drawer slides.
- Insert the brackets on each side of the drawer into the slots on the slides, being careful that they are properly positioned.
- Once properly inserted, completely close the drawer to set the slides in their proper positions.



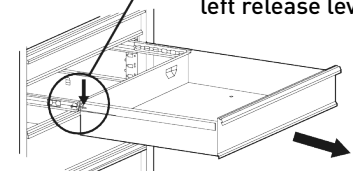
1a

Push up the right release lever



1b

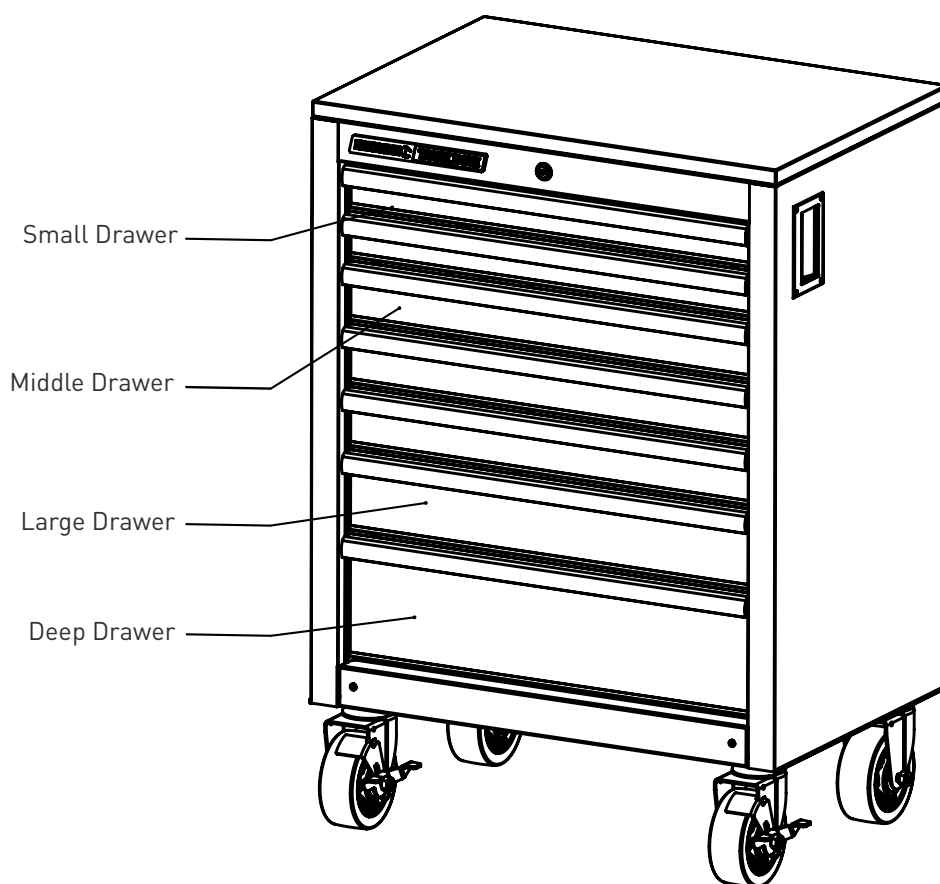
Pull down the left release lever



- Periodically tighten all hardware
- Periodically lubricate castors
- Lubricate the slides twice a year
- Lubricate the lock with graphite annually
- Use a damp Microfibre cloth to clean all surfaces
- Use stainless steel cleaner, to clean stainless steel surfaces

TOOL TROLLEY 7 Drawer 680mm **K7367**

TECHNICAL SPECIFICATIONS



SMALL DRAWER:

WIDTH	590mm	DEPTH	416 mm	HEIGHT	60 mm
--------------	-------	--------------	--------	---------------	-------

MIDDLE DRAWER:

WIDTH	590mm	DEPTH	416 mm	HEIGHT	78 mm
--------------	-------	--------------	--------	---------------	-------

LARGE DRAWER:

WIDTH	590mm	DEPTH	416 mm	HEIGHT	106 mm
--------------	-------	--------------	--------	---------------	--------

DEEP DRAWER:

WIDTH	590mm	DEPTH	416 mm	HEIGHT	163mm
--------------	-------	--------------	--------	---------------	-------

TOOL TROLLEY 7 Drawer 680mm **K7367**

PARTS LIST



SPARE PARTS

ITEM	PART NO.	DESCRIPTION	QUANTITY
1	K7367-1	Lock & Key	1
2	K7367-2	Key Only (Specify Number)	1
3	K7367-3	Ball Bear Slide Pair (Shallow)	7
4	K7367-4	Castor Pack (4)	1
5	K7367-5	Castor Bolt Pack	1
6	K7367-6	Stainless Steel Top	1

ITEM	PART NO.	DESCRIPTION	QUANTITY
7	K7367-7	Stainless Steel Kick Panel	1
8	K7367-8	Side Handle (2)	1
9	K7367-9	EVA Liner Pack	7
10	K7366-11	Trade Centre Badge	1
11	K7399	T/Centre Matched Key Pack (10)	1

National Head Office
National Distribution and Showroom
3 Lakeview Dve, Caribbean Business Park
Scoresby Victoria 3179 Australia
ABN 41 007 185 006

Administration
T (03) 9730 7100 F (03) 9730 7199
E enquiries@kincrome.com.au
W kincrome.com.au

Customer Service Centre
T 1300 657 528 F 1300 556 005

Made to Kincrome Tools & Equipment Pty Ltd global specifications and quality standards in China



Australia & Global
www.kincrome.com.au
enquiries@kincrom.com.au