

CABINET WORK BENCH

7 Drawer
1040mm **K7366**

OPERATION MANUAL



IMPORTANT:

This operating manual contains important safety information, read carefully & understand all information before operating the work bench. Save this manual for future use.



Do not open more than one drawer at a time.



Do not step on drawers.



Do not let children near the Toolbox.



Do not separate Chest from Trolley.



Do not exceed Drawer Load Limit



Not suitable for mounting in Vehicles



Lock drawers and lid before moving the Toolbox.



PARTS LIST



MEASUREMENTS:

WEIGHT: 106 KG

WIDTH	1041 mm	DEPTH	622 mm	HEIGHT	1000 mm
--------------	---------	--------------	--------	---------------	---------

LONG TOP DRAWER:

WIDTH	952 mm	DEPTH	561 mm	HEIGHT	120 mm
--------------	--------	--------------	--------	---------------	--------

SMALL DRAWER:

WIDTH	590 mm	DEPTH	561 mm	HEIGHT	78 mm
--------------	--------	--------------	--------	---------------	-------

LARGE DRAWER:

WIDTH	590 mm	DEPTH	561 mm	HEIGHT	98 mm
--------------	--------	--------------	--------	---------------	-------

BENCH RATING: 120KG

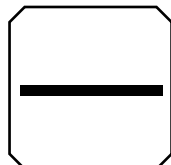
DRAWER RATING: 25KG (PER DRAWER)

SHELF RATING: 15KG (PER SHELF)

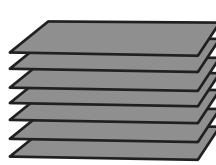
INCLUDED:



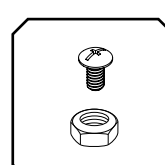
Keys x 2



Shelf x 2



7 x Liners



Joiner Bolt
Pack x 3

**TOOLS & ASSISTANCE
REQUIRED FOR BENCH:**



2
People

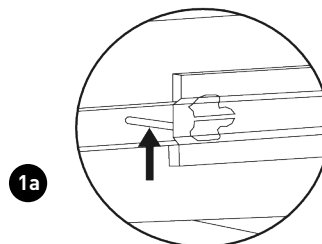
CABINET WORK BENCH

7 Drawer
1040mm **K7366**

MAINTENANCE

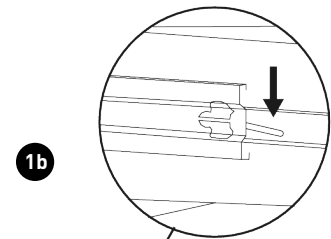
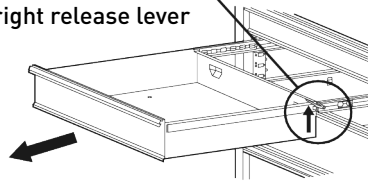
1 Removing the Drawers

- Fully extend the empty drawer.
- Push up the right release lever while pushing down the left release lever.
- Pull the drawer outward until it is released from the drawer slide.



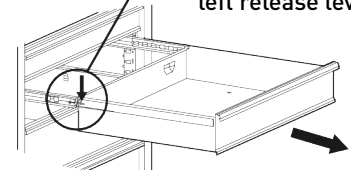
1a

Push up the right release lever



1b

Pull down the left release lever

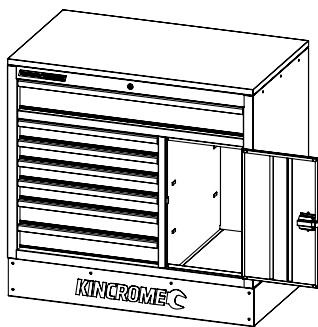


2 Re-Inserting The Drawers

- Extend the drawer slides.
- Insert the brackets on each side of the drawer into the slots on the slides, being careful that they are properly positioned.
- Once properly inserted, completely close the drawer to set the slides in their proper positions.

- Periodically tighten all hardware
- Periodically lubricate castors
- Lubricate the slides twice a year
- Lubricate the lock with graphite annually
- Use a damp Microfibre cloth to clean all surfaces
- Use stainless steel cleaner, to clean stainless steel surfaces

TECHNICAL SPECIFICATIONS



DOOR MEASUREMENTS

WIDTH	330 mm	DEPTH	605 mm	HEIGHT	520 mm
--------------	--------	--------------	--------	---------------	--------

LONG TOP DRAWER:

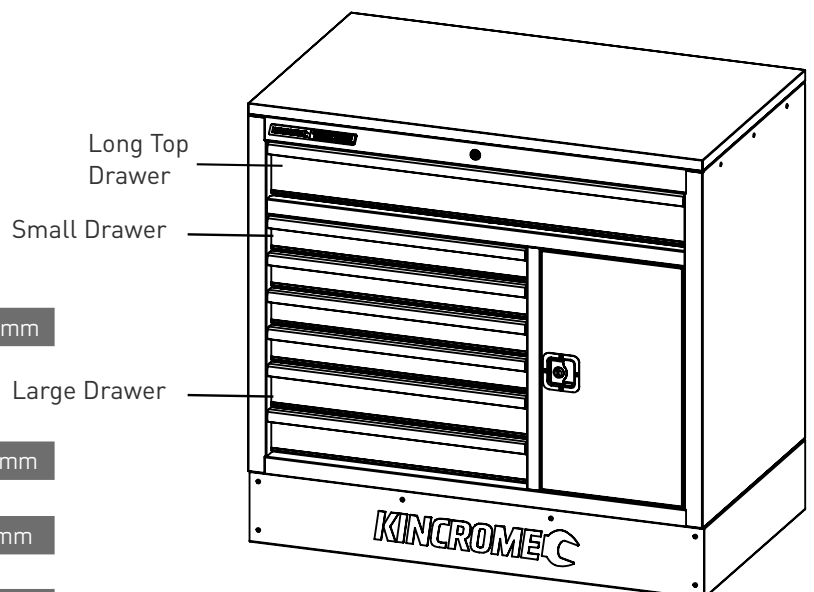
WIDTH	952 mm	DEPTH	561 mm	HEIGHT	120 mm
--------------	--------	--------------	--------	---------------	--------

SMALL DRAWER:

WIDTH	590 mm	DEPTH	561 mm	HEIGHT	78 mm
--------------	--------	--------------	--------	---------------	-------

LARGE DRAWER:

WIDTH	590 mm	DEPTH	561 mm	HEIGHT	98 mm
--------------	--------	--------------	--------	---------------	-------



CABINET WORK BENCH

7 Drawer
1040mm **K7366**

PARTS LIST



SPARE PARTS

ITEM	PART NO.	DESCRIPTION	QUANTITY
1	K7366-1	Lock & Key	1
2	K7366-2	Key Only (Specify No)	1
3	K7366-3	Cabinet Latch	1
4	K7366-4	Ball Bearing Slide Pair (Deep)	7
5	K7366-5	Joining Bolt Pack (3)	1

ITEM	PART NO.	DESCRIPTION	QUANTITY
6	K7366-6	Adjustable Feet (4)	1
7	K7366-7	Stainless Steel Top	1
8	K7366-8	Stainless Steel Kick Panel	1
9	K7366-9	EVA Drawer Liner	7
10	K7366-11	Trade Centre Badge	1
11	K7399	T/Centre Matched Key Pack (10)	1
12	K7366-12	Cabinet Shelf	2

National Head Office
National Distribution and Showroom
3 Lakeview Dve, Caribbean Business Park
Scoresby Victoria 3179 Australia
ABN 41 007 185 006

Administration
T (03) 9730 7100 F (03) 9730 7199
E enquiries@kincrome.com.au
W kincrome.com.au

Customer Service Centre
T 1300 657 528 F 1300 556 005

Made to Kincrome Tools & Equipment Pty Ltd global specifications and quality standards in China



Australia & Global
www.kincrome.com.au
enquiries@kincrom.com.au