

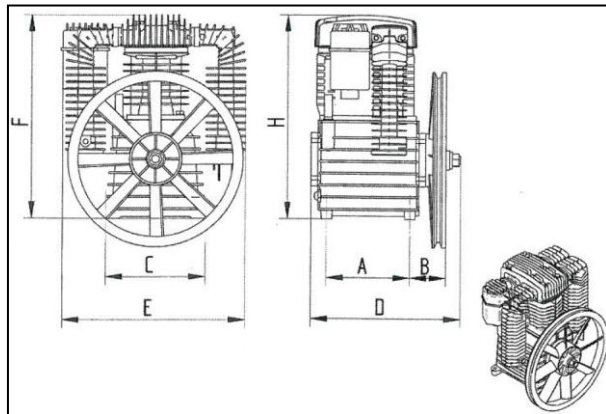
**COMPRESSOR PUMP  
MODEL: K50-PUMP**

CYLINDERS	2
STAGE	2
MAX PRESSURE (BAR)	11*
MOTOR (KW)	7.5
FLYWHEEL (MM)	550
BELT SECTION	2B

**DIMENSIONS**

A	210 mm
B	160 mm
C	290 mm
D	420 mm
E	460 mm
F (FROM BOTTOM OF FLY WHEEL)	650 mm
H	560 mm
<b>WEIGHT</b>	<b>71.5 KGS</b>

\*HIGHER MAXIMUM PRESSURE AVAILABLE. PLEASE CONTACT PILOT AIR



**FEATURES**

- **MADE IN ITALY**
- **DESIGNED FOR INDUSTRIAL USE**
- **CAST IRON CYLINDER BARRELS & STAINLESS STEEL VALVES**
- **ALLOY HEADS FOR IMPROVED COOLING**
- **BALANCED CRANKSHAFT FOR SMOOTHER, QUIETER OPERATION & LONGER LIFE**
- **LARGER DIAMETER FLYWHEELS DESIGNED TO DRAW COOL AIR OVER COMPRESSOR PUMP**
- **HIGH QUALITY INLET FILTER**

website – [www.pilotair.com.au](http://www.pilotair.com.au)

email – [sales@pilotair.com.au](mailto:sales@pilotair.com.au)