

KINCROME

ELECTRIC PRESSURE WASHERS



K16250



K16251



K16252



K16253



K16254



K16255

K16250 - Pressure Washer 1400W

K16251 - High Pressure Washer 2000W

K16252 - High Pressure Cleaner 2400W

K16253 - High Pressure Cleaner Compact 2100W

K16254 - High Pressure Cleaner 2100W

K16255 - High Pressure Cleaner 2400W



Specifications

K16250



Scan QR code for troubleshooting, maintenance & product information



Input voltage:220-240V ~ 50Hz
 Motor type: Carbon Brush
 Rated power: 1400W
 Hose length:8m
 Hose Diameter: 10mm
 Hose Type.....PVC
 Maximum pressure:1520psi (10.5 Mpa)
 Rated pressure: 1015psi (7 Mpa)
 Maximum flow rate:6.8l/min
 Rated flow rate:5.5l/min
 Degree of protection:..... IPX5
 Water inlet temperature:.....5°C-50°C
 Soap dispenser capacity.....400ml
 Power cord length......5m
 Guaranteed sound power level......97dB
 Weight: 6.5kg

K16252



Scan QR code for troubleshooting, maintenance & product information



Input voltage:230-240V ~ 50Hz
 Motor type:Carbon Brush
 Rated power:2400W
 Hose length:......8m
 Hose Diameter: 11.8mm
 Hose Type:.....PVC
 Maximum pressure:2600psi (18Mpa)
 Rated pressure:1750psi (12Mpa)
 Maximum flow rate:8.0l/min
 Rated flow rate:5.5l/min
 Degree of protection:..... IPX5
 Soap dispenser capacity.....1000ml
 Power cord length......5m
 Guaranteed sound power level......95dB
 Weight:.....9.5kg

K16254



Scan QR code for troubleshooting, maintenance & product information



Input voltage:230-240V ~ 50Hz
 Motor type:Induction Motor
 Rated power:2100W
 Hose length:8m
 Hose Diameter: 11.8mm
 Hose Type:.....PVC
 Maximum pressure:2400psi (16.5Mpa)
 Rated pressure:1600psi (11Mpa)
 Maximum flow rate: 7.2l/min
 Rated flow rate: 6.0l/min
 Degree of protection:..... IPX5
 Soap dispenser capacity.....1000ml
 Power cord length......5m
 Guaranteed sound power level......93dB
 Weight:.....17kg

Specifications

K16251



Scan QR code for troubleshooting, maintenance & product information



Input voltage: 230-240V ~ 50Hz
 Motor type: Carbon Brush
 Rated power: 2000W
 Hose length: 8m
 Hose Diameter: 11.8mm
 Hose Type: PVC
 Maximum pressure: 2175psi (15Mpa)
 Rated pressure: 1450psi (10Mpa)
 Maximum flow rate: 7.8l/min
 Rated flow rate: 6.0l/min
 Degree of protection: IPX5
 Soap dispenser capacity: 1000ml
 Power cord length: 5m
 Guaranteed sound power level: 94dB
 Weight: 8.8kg

K16253



Scan QR code for troubleshooting, maintenance & product information



Input voltage: 230-240V ~ 50Hz
 Motor type: Induction Motor
 Rated power: 2100W
 Hose length: 8m
 Hose Diameter: 11.8mm
 Hose Type: PVC
 Maximum pressure: 2400psi (16.5Mpa)
 Rated pressure: 1600psi (11Mpa)
 Maximum flow rate: 7.2l/min
 Rated flow rate: 6.0l/min
 Degree of protection: IPX5
 Soap dispenser capacity: 400ml
 Power cord Length: 5m
 Guaranteed sound power level: 93dB
 Weight: 11.5kg

K16255



Scan QR code for troubleshooting, maintenance & product information



Input voltage: 230-240V ~ 50Hz
 Motor type: Induction Motor
 Rated power: 2400W
 Hose Length: 10m
 Hose Diameter: 12.5mm
 Hose Type: Braided steel anti kink
 Maximum pressure: 2800psi (19.5Mpa)
 Rated pressure: 1900psi (13Mpa)
 Maximum flow rate: 8.0l/min
 Rated flow rate: 6.7l/min
 Degree of protection: IPX5
 Soap dispenser capacity: 1200ml
 Power cord length: 5m
 Guaranteed sound power level: 92dB
 Weight: 24kg

Table of Contents

Specifications.....	2-3
Know Your Product.....	4-7
Important Safety Instructions.....	8-11
Unpacking and Assembling.....	11-17
Selecting and Fitting a Nozzle.....	15
Operation.....	18-21
Maintenance and Storage.....	20
Troubleshooting.....	21
Wiring Diagrams and Exploded Diagrams.....	22-25
Warranty.....	26

Know Your Product

K16250

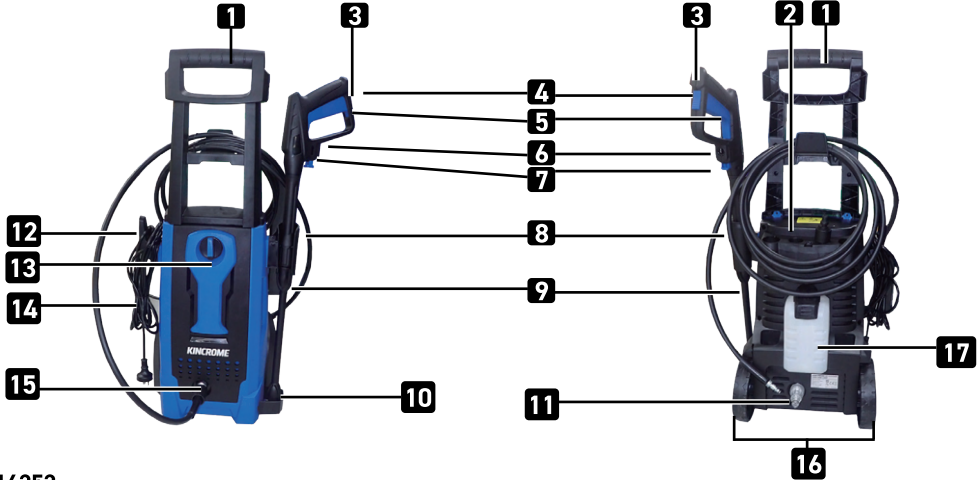
- | | | |
|----------------------------|----------------------------------|-------------------------------|
| 1. Carry Handle | 7. Pressure Hose Release Button | 13. ON/OFF Switch |
| 2. Nozzle Storage | 8. On Board Gun & Lance Storage | 14. Power Cord |
| 3. High Pressure Gun | 9. Lance | 15. High Pressure Hose Outlet |
| 4. Trigger Lock | 10. Twist & Lock Connection | 16. Wheels |
| 5. Trigger | 11. Water Inlet Filter Connector | 17. High Pressure Hose |
| 6. Pressure Gun Connection | 12. Power Cord Holder | |



Know your product

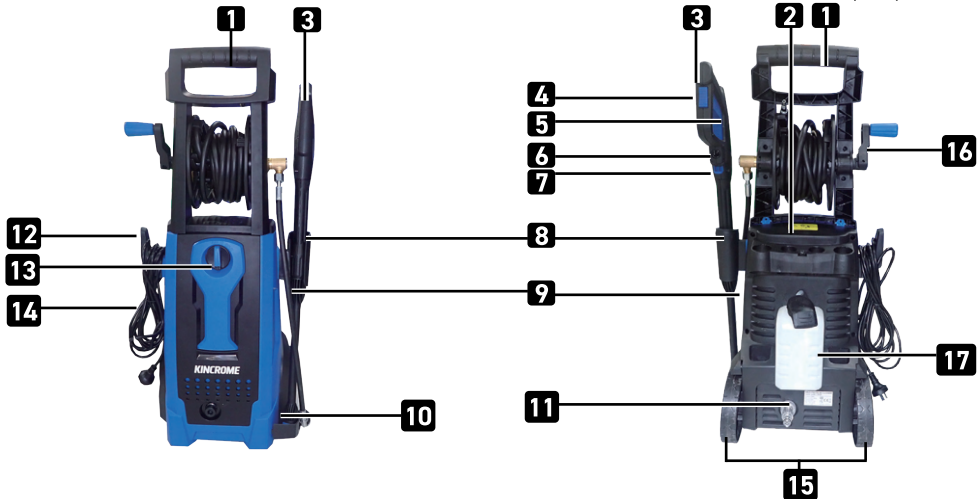
K16251

- | | | |
|----------------------------|----------------------------------|-------------------------------|
| 1. Carry Handle | 7. Pressure Hose Release Button | 12. Power Cord Holder |
| 2. Nozzle Storage | 8. On Board Gun & Lance Storage | 13. ON/OFF Switch |
| 3. High Pressure Gun | 9. Lance | 14. Power Cord |
| 4. Trigger Lock | 10. Twist & Lock Connection | 15. High Pressure Hose Outlet |
| 5. Trigger | 11. Water Inlet Filter Connector | 16. Wheels |
| 6. Pressure Gun Connection | | 17. On-board Soap Dispenser |



K16252

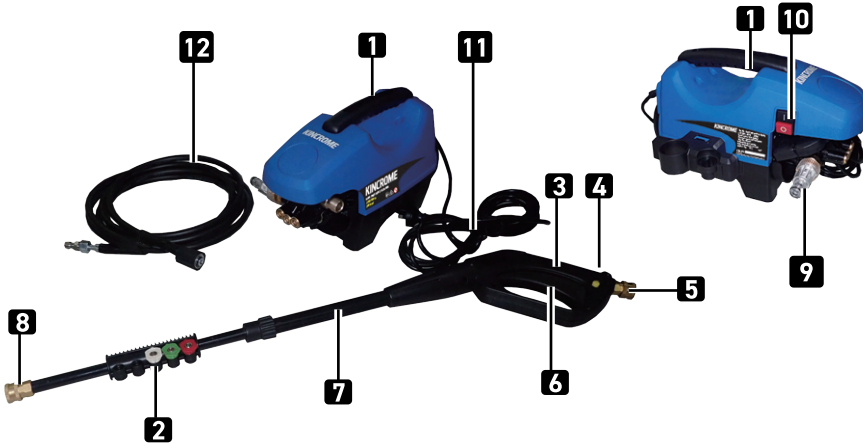
- | | | |
|----------------------------|----------------------------------|-----------------------------|
| 1. Carry Handle | 7. Pressure Hose Release Button | 12. Power Cord Holder |
| 2. Nozzle Storage | 8. On Board Gun & Lance Storage | 13. ON/OFF Switch |
| 3. High Pressure Gun | 9. Lance | 14. Power Cord |
| 4. Trigger Lock | 10. Twist & Lock Connection | 15. Wheels |
| 5. Trigger | 11. Water Inlet Filter Connector | 16. Hose and Reel Assembly |
| 6. Pressure Gun Connection | | 17. On-board Soap Dispenser |



Know your product

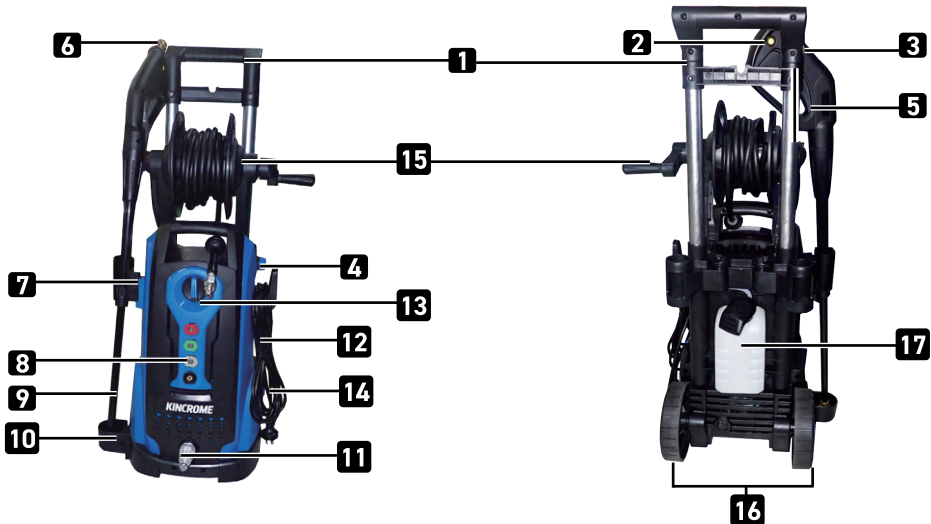
K16253

- | | | |
|---------------------------------|---------------------------------|------------------------|
| 1. Carry Handle | 6. Trigger | 11. Power Cord |
| 2. Quick Connect Nozzle Storage | 7. Lance | 12. High Pressure Hose |
| 3. High Pressure Gun | 8. Lance Quick Connect | |
| 4. Trigger Lock | 9. Water Inlet Filter Connector | |
| 5. Pressure Gun Connection | 10. ON/OFF Switch | |



K16254

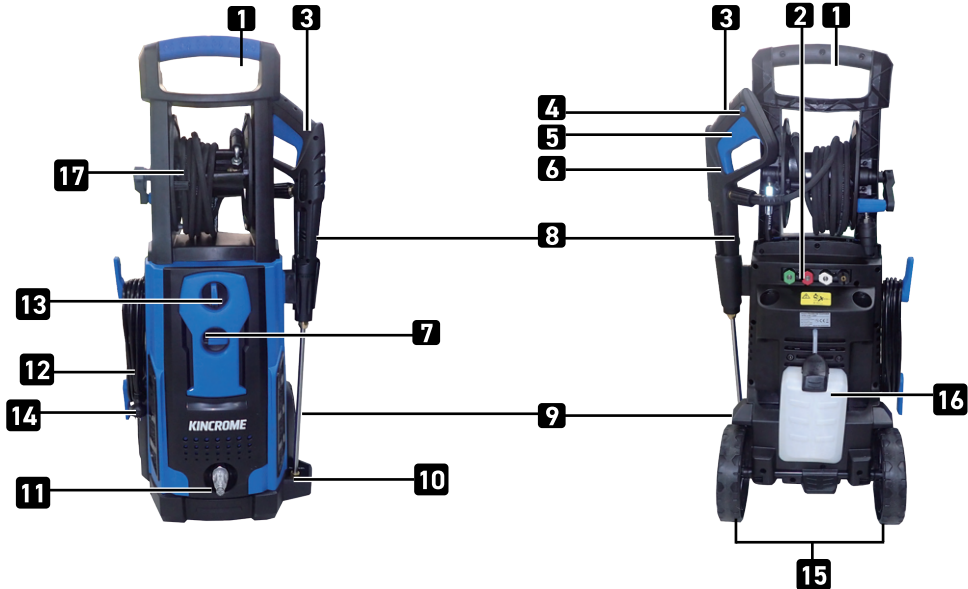
- | | | |
|-------------------------------------|----------------------------------|-----------------------------|
| 1. Telescopic Carry Handle | 7. On Board Gun & Lance Storage | 13. ON/OFF Switch |
| 2. Trigger Lock | 8. Quick Connect Nozzle Storage | 14. Power Cord |
| 3. High Pressure Gun | 9. Lance | 15. Hose and Reel Assembly |
| 4. Telescopic Handle Release Button | 10. Lance Quick Connect | 16. Wheels |
| 5. Trigger | 11. Water Inlet Filter Connector | 17. On-board Soap Dispenser |
| 6. Pressure Gun Connection | 12. Power Cord Holder | |



Know your product

K16255

- | | | |
|---------------------------------|----------------------------------|-----------------------------|
| 1. Carry Handle | 7. Soap Flow Control Knob | 13. ON/OFF Switch |
| 2. Quick Connect Nozzle Storage | 8. On Board Gun & Lance Storage | 14. Power Cord |
| 3. High Pressure Gun | 9. Lance | 15. Wheels |
| 4. Trigger Lock | 10. Lance Quick Connect | 16. On-board Soap Dispenser |
| 5. Trigger | 11. Water Inlet Filter Connector | 17. Hose and Reel Assembly |
| 6. Pressure Gun Connection | 12. Power Cord Holder | |



General Safety Warnings



Save all warnings and instructions for future reference.

WARNING! Read all safety warnings and all instructions. Failure to follow the warnings and instructions may result in serious injury and/or death.

WARNING! The product is designed for use with a neutral cleaning agent supplied or recommended by the manufacturer. The use of other cleaning agents or chemicals may adversely affect the safety of the product.

Wear a complete personal protective equipment when operating the product, such as boots, safety gloves, safety helmets with visor, and hearing protection. Use high-impact visors only with liquid splash protection.

WARNING! Do not use the product when people are within range unless they wear protective clothing.

1) Work Area Safety

- a. **Keep work area clean and well lit.** Cluttered or dark areas invite accidents.
- b. **Do not operate power tools in explosive atmospheres, such as in the presence of flammable liquids, gases or dust.** Power tools create sparks which may ignite the dust or fumes.
- c. **To reduce the risk of injury, keep children and visitors away.** All visitors should wear safety glasses and be kept at a safe distance from the work area.
- d. **This appliance is not intended for use by persons (including children) with reduced physical, sensory or mental capabilities, or lack of experience and knowledge, unless they have been given supervision or instruction concerning use of the appliance by a person responsible for their safety.**

2) Electrical Safety

- e. **Inadequate extension cords can be dangerous. If an extension cord is used, it shall be suitable for outdoor use, and the connection has to be kept dry and off the ground.** It is recommended that this is accomplished by means of a cord reel which keeps the socket at least 60 mm above the ground. Always use an approved extension lead suitable for the power input of this tool. Before use, inspect the extension lead for signs of damage, wear and ageing. Replace the extension lead if damaged or defective. When using an extension lead on a reel, always unwind the lead completely. Use of an extension lead not suitable for the power input of the tool or which is damaged or defective may result in a risk of fire and electric shock.
- f. **Always switch off the mains disconnecting switch when leaving the machine unattended.**
- g. **Never touch the mains plug and the socket with wet hands or use the appliance in the rain.** Power tool plugs must match the outlet. Never modify the plug in any way. Do not use any adapter plugs with earthed (grounded) power tools. Unmodified plugs and matching outlets will reduce risk of electric shock.
- h. **Avoid body contact with earthed or grounded surfaces such as pipes, radiators, ranges and refrigerators.** There is an increased risk of electric shock if your body is earthed or grounded.
- i. **Do not expose power tools to rain or wet conditions.** Water entering a power tool will increase the risk of electric shock.
- j. **Do not abuse the cord.** Never use the cord for carrying, pulling or unplugging the power tool. Keep cord away from heat, oil, sharp edges or moving parts. Damaged or entangled cords increase the risk of electric shock.
- k. **When operating a power tool outdoors, use an extension cord suitable for outdoor use.** Use of a cord suitable for outdoor use reduces the risk of electric shock.
- l. **The electric supply connection shall be made by a qualified electrician and comply with IEC 60364-1.**
- m. **It is recommended that the electric supply to this machine should include either a residual current device that will interrupt the supply if the leakage current to earth exceeds 30 mA for 30 ms or a device that will prove the earth circuit.**
- n. **All electrical connections are made in a dry area.**
- o. **Outdoor power points must be weatherproof and installed by a qualified electrician.**

3) Personal Safety

- a. **Stay alert, watch what you are doing and use common sense when operating a power tool.** Do not use a power tool while you are tired or under the influence of drugs, alcohol or medication. A moment of inattention while operating power tools may result in serious personal injury.

- b. Use personal protective equipment.** Always wear eye protection. Protective equipment such as dust mask, non-skid safety shoes, hard hat, or hearing protection used for appropriate conditions will reduce personal injuries.
- c. Prevent unintentional starting.** Ensure the switch is in the off position before connecting to power source and/or battery pack, picking up or carrying the tool. Carrying power tools with your finger on the switch or energising power tools that have the switch on invites accidents.
- d. Remove any adjusting key or wrench before turning the power tool on.** A wrench or a key left attached to a rotating part of the power tool may result in personal injury.
- e. Do not overreach. Keep proper footing and balance at all times.** This enables better control of the power tool in unexpected situations.
- f. Dress properly.** Do not wear loose clothing or jewellery. Keep your hair, clothing and gloves away from moving parts. Loose clothes, jewellery or long hair can be caught in moving parts.

4) Power Tool Use And Care

- g. Do not force the power tool. Use the correct power tool for your application.** The correct power tool will do the job better and safer at the rate for which it was designed.
- h. Do not use the power tool if the switch does not turn it on and off.** Any power tool that cannot be controlled with the switch is dangerous and must be repaired.
- i. Disconnect the plug from the power source and/or the battery pack from the power tool before making any adjustments, changing accessories, or storing power tools.** Such preventive safety measures reduce the risk of starting the power tool accidentally.
- j. Store idle power tools out of the reach of children and do not allow persons unfamiliar with the power tool or these instructions to operate the power tool.** Power tools are dangerous in the hands of untrained users.
- k. Maintain power tools. Check for misalignment or binding of moving parts, breakage of parts and any other condition that may affect the power tool's operation. If damaged, have the power tool repaired before use.** Many accidents are caused by poorly maintained power tools.
- l. The electric motor has been designed for 230V and 240V only.** Always check that the power supply corresponds to the voltage on the rating plate.

5) Service

- a. Have your power tool serviced by a qualified repair person using only identical replacement parts.** This will ensure that the safety of the power tool is maintained.

Additional Safety Warnings for Pressure Washers

- b. WARNING: In order to avoid a hazard due to inadvertent resetting of the thermal cut-out,** this appliance must not be supplied through an external switching device, such as a timer, or connected to a circuit that is regularly switched on and off by the utility.
- c. High pressure jets can be dangerous if subject to misuse.** The jet must not be directed at animals, persons, live electrical equipment or the machine itself.
- d. This machine has been designed for use with the cleaning agent supplied or recommended by the manufacturer.** The use of other cleaning agents or chemicals may adversely affect the safety of the machine.
- e. During use of high pressure cleaners, aerosols may be formed.** Inhalation of aerosols can be hazardous to health.
- f. High pressure jets can be dangerous if subject to misuse.** The jet must not be directed at persons, live electrical equipment or the machine itself.
- g. Do not use the machine within range of persons unless they wear protective clothing.**
- h. Do not direct the jet against yourself or others in order to clean clothes or foot-wear.**
- i. Risk of explosion -** Do not spray flammable liquids.
- j. High pressure cleaners shall not be used by children or untrained personnel.**
- k. High pressure hoses, fittings and couplings are important for the safety of the machine. Use only hoses, fittings and couplings recommended by the manufacturer .**
- l. To ensure machine safety, use only original spare parts from the manufacturer or approved by the manufacturer.**
- m.** Water that has flowed through back-flow preventer is considered to be non potable.
- n.** Never put your hand, fingers or body directly in front of the spray nozzle.

- o. Keep pets, children and bystanders a safe distance away from your work area. A minimum of 15m is recommended
- p. **WARNING: Do not direct the jet against yourself or others in order to clean clothes or foot-wear.**
- q. **WARNING: Risk of explosion – Do not spray flammable liquids.**
- r. **Do not use the machine if a supply cord or important parts of the machine are damaged**, e.g. safety devices, high pressure hoses, trigger gun.
- s. **Do not operate the product while under the influence of drugs, alcohol, or any medication.**
- t. **Only operate the tool during broad daylight or with adequate artificial light.**
- u. Never clean sensitive surfaces or parts like motors or bearings. The high-pressure jet will damage sensitive parts or water will penetrate where it should not.
- v. Damage may occur if pressure washer nozzle is held too close to the cleaning surface. Damage caused will not be covered under warranty.
- w. Always trial the pressure washer cleaner and selected nozzle on an inconspicuous part of the product to be cleaned.
- x. **NEVER use hot, dirty or chemically infested water as it will damage your pressure cleaner.** Only use cold clean water.
- y. The warnings, cautions, and instructions in this instruction manual cannot cover all possible conditions and situations that may occur. It must be understood by the operator that common sense and caution are factors which cannot be built into this product, but must be supplied by the operator.
- z. **WARNING: Make sure the inlet water pressure keeps between 0.01MPa and 0.4MPa. The inlet pipe should at least 5m long.** Do not use the pipe if the pipe is damaged. If you want connect this machine to portable water mains, you must install a back-flow preventer in the water pipe to prevent dirty water flow back to the drinking water system.
The back-flow preventer shall comply with EN 60335-2-79 ANNEX AA.
- aa. **WARNING: Observe a distance of at least 30cm when using the jet to clean painted surfaces to avoid damaging paintwork.**
- ab. Children should be adequately supervised to ensure they do not play with the product.
- ac. Check the power cord and the extension cord for damage before each use. If the power cord or the extension cord is damaged, it must be replaced by the manufacturer, its service agent, or similarly qualified persons in order to avoid a hazard.
- ad. Depending on the application, shielded nozzles can be used for high pressure cleaning, which will reduce the emission of hydrous aerosols dramatically. However, not all applications allow the use of such a device. If shielded nozzles are not applicable for the protection against aerosols, a respiratory mask of class FFP 2 or equivalent may be needed, depending on the cleaning environment.

Extension Cords and Reels








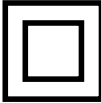


WARNING: Inadequate extension cords can be dangerous

- a. Use of an extension cord with this product is NOT RECOMMENDED. If you must use an extension cord, use only extension cords that are intended for outdoor use. These cords are identified by a marking "ACCEPTABLE FOR USE WITH OUTDOOR APPLIANCES, STORE INDOORS WHILE NOT IN USE." Use only extension cords having an electrical rating not less than the rating of the product. Examine extension cord before use. DO NOT USE DAMAGED EXTENSION CORDS! If damaged never use always replace.
- b. Inadequate extension cords can be dangerous. If an extension cord is used, it shall be suitable for outdoor use, and the connection has to be kept dry and off the ground. It is recommended that this is accomplished by means of a cord reel which keeps the socket at least 60 mm above the ground.
- c. Always disconnect the extension cord from the power point before disconnecting the product from the extension cord.
- d. **WARNING – To reduce the risk of electrocution, keep all connections dry and off the ground. Do not touch the plug with wet hands.**
- e. Do not use the appliance if a supply cord or important parts of the appliance are damaged, e.g. safety devices, high pressure hoses, trigger gun.
- f. If an extension cord is used, the plug and socket must be of watertight construction.
- g. Remove the plug from the socket-outlet during cleaning or maintenance and when replacing arts or converting the machine to another function.

Description of Symbols

The following symbols could be shown on the tool:

	Read the instruction manual before use. Failure to follow the warnings and instructions may result in electric shock, fire and/or serious injury.		Risk of Explosion
	Warning		High-pressure water can be dangerous if used incorrectly. High- pressure water jets must not be directed at people, electrical equipment or the washer itself.
	Machine not Suitable for connection to the potable water mains		Sound Power Level
A	Amps	~	Alternating Current
W	Watts	V	Volts
Mpa	Mega-pascals	Hz	Hertz
psi	Pounds per square inch of pressure	Kg	Kilograms
	Regulatory Compliance Mark (RCM). Product meets applicable regulatory requirements		Class II Tool, Double Insulated

Intended Use

The electric High Pressure Washers are intended only for outdoor use. For safety reasons, the product must be adequately controlled by a two-handed operation.

The K16250, K16251 and K16252 is designed for home or domestic use and the K16253, K16254 and K16255 is designed for heavy duty use. It is intended to clean machines, vehicles, buildings, floors, tools, façades, terraces, floors, and concrete walkways by removal of stubborn dirt using clean water with or without cleaning detergent.

The product should be used in well-illuminated conditions.

Do not use the product for any other purpose.

Unpacking

Carefully unpack your pressure washer. Dispose of all packing material in accordance with your local council authority.

Check for loose parts, missing parts or damaged parts. Modifications must not be carried out or accessories added.

Assembly

Assembling the Lance Holder

Note: Minimal assembly is required for the K16254 and K16255 as the majority of the product is pre-assembled.

1. Align the groove on the gun holder with the protrusion on the Pressure Washer body and slide the quick connect lance holder until it clicks into place (Fig.1).
2. Align the Lance Holder with the protrusion on the Pressure Washer body and Push lance holder until it clicks into place.
3. Align the groove on the gun holder with the protrusion on the Pressure Washer body and slide the quick connect lance holder until it clicks (Fig.2) into place.
4. Insert locking screw and tighten with a phillips head screw driver (not supplied) (Fig.3).

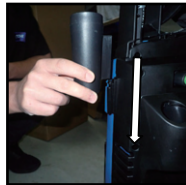


Fig.1

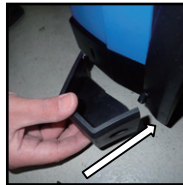


Fig.2



Fig.3

Connecting Twist & Lock Lance to High Pressure Gun K16250, K16251 and K16252



WARNING: Ensure the Pressure Washer is switched OFF and disconnected from the power socket before performing any assembly, adjustments or maintenance

Note: Always ensure that all connections are clean and free of any dust, dirt or debris before assembling any components of the Pressure Washer.

1. The twist and lock lance and gun comes in 2 pieces;
 - 1 piece twist and lock Pressure Gun
 - 1 piece twist and lock Connect lance
2. Connect the twist and lock pressure gun to the twist and lock connect lance by aligning and inserting the twist and lock connect lance into the end of the twist and lock pressure gun (Fig 4).
3. Push in the twist and lock extension lance and turn clockwise, until locked into position (Fig 5).
4. Finally select the twist and lock nozzle you require for the job at hand; adjustable nozzle, turbo nozzle or the soap dispenser.

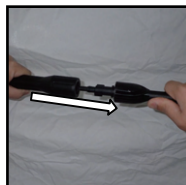


Fig.4

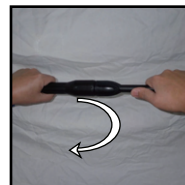


Fig.5

Connecting Quick Connect Lance to K16253 and K16254

WARNING: Ensure the Pressure Washer is switched OFF and disconnected from the power socket before performing any assembly, adjustments or maintenance

Note: Always ensure that all connections are clean and free of any dust, dirt or debris before assembling any components of the Pressure Washer.

The lance and gun comes in 2 pieces;

- 1 piece High Pressure Gun
- 1 piece Quick Connect lance

5. Connect the high pressure gun to the quick connect lance by aligning and inserting the quick connect lance into the end of the high pressure gun (Fig 6).
6. Rotate the locking nut in a clockwise direction, until they are securely tightened. (Fig7).
7. Your high pressure gun & quick connect lance is now ready to fit the appropriate cleaning nozzle for the task at hand.

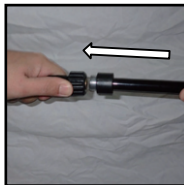


Fig.6

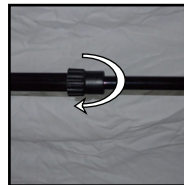


Fig.7

Connecting Gun to Pressure Hose K16250, K16251 and K16252

1. Unwind the high pressure hose slightly, so you have some slack.
2. Align the male coupler on the high pressure hose with the connector on the bottom of the high pressure gun together (Fig. 8).
3. Push the male coupler firmly up until it locks in place (Fig.9).
4. To remove the high pressure hose push the blue button on the handle guard of the pressure gun and pull the pressure hose male coupler away from the gun (Fig.10 and Fig.11).



Fig.8



Fig.9



Fig.10



Fig.11

Connecting Gun to Pressure Hose K12153 and K12154

1. Unwind the high pressure hose slightly, so you have some slack.
2. Pull the female coupler back, which is located on the high pressure hose and feed the male fitting located on the bottom of the high pressure gun together (Fig 12).
3. The female coupler will lock, and keep the high pressure hose and high pressure gun securely connected (Fig 13).

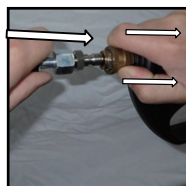


Fig.12



Fig.13

Connecting Gun to Pressure Hose K16255

The K16255 has 2 option of connecting the pressure hose;

Option 1 Permanent Fix

1. Unwind the high pressure hose slightly, so you have some slack.
2. Aligning and inserting the quick connect lance (15) into the end of the high pressure gun (Fig. 14).
3. Rotate the locking nut in a clockwise direction, until they are securely tightened (Fig 15).



Fig.14



Fig.15

Option 2 Quick Connect

1. Unwind the high pressure hose slightly, so you have some slack.
2. Aligning and quick connect adaptor with the end of the high pressure hose (Fig 16).
3. Using an aid of a 22mm Spanner (not supplied), rotate the locking nut in a clockwise direction, until they are securely tightened. (Fig 17).



Fig.16

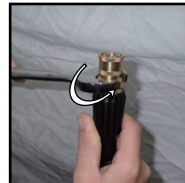


Fig.17

4. Aligning and quick connect adaptor with the end of the high pressure gun (Fig 18).
5. Rotate the locking nut in a clockwise direction, until they are securely tightened. (Fig 19).
6. The quick connect on the hose now can be fitted to the quick connect of the gun by pulling the female coupler back, which is located on the high pressure hose and feed the male fitting located on the bottom of the high pressure gun together (Fig 20).



Fig.18



Fig.19



Fig.20

Connecting Quick Connect Lance to K16255



WARNING: Ensure the Pressure Washer is switched OFF and disconnected from the power socket before performing any assembly, adjustments or maintenance

Note: Always ensure that all connections are clean and free of any dust, dirt or debris before assembling any components of the Pressure Washer.

1. The lance and gun comes in 2 pieces;
 - 1 piece High Pressure Gun
 - 1 piece Quick Connect lance
2. Connect the high pressure gun to the quick connect lance by aligning and inserting the quick connect lance into the end of the high pressure gun (Fig 21).
3. While holding the high pressure gun, fit a 24mm spanner to the nut of the quick connect lance with a 24mm spanner (not supplied), rotate the locking nut in a clockwise direction, until they are securely tightened. (Fig 22).

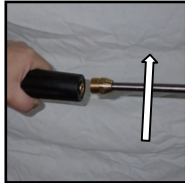


Fig.21

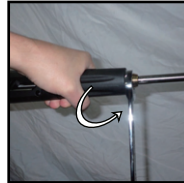


Fig.22

Selecting and Fitting a Nozzle Nozzle Selection Guide and Installation



0° Nozzle- RED: This nozzle delivers a pinpoint stream of pressurized water & is extremely powerful. This nozzle should only be directed at surfaces that can withstand extreme high pressure such as metal or concrete.

Note: DO NOT use this nozzle on soft materials such as timber.

Supplied with: **K16253, K16254 and K16255**



25° Nozzle- GREEN: This nozzle delivers a 25° fan spray pattern of pressurized water for intense cleaning of larger areas. This nozzle should only be directed at surfaces that can withstand this kind of high pressure, e.g. timber decking.

Supplied with: **K16253, K16254 and K16255**



40° Nozzle - White: This nozzle delivers a 40 degree spray pattern and a less powerful stream of water. This nozzle can cover a wide area and should be used for most general cleaning jobs.

Supplied with: **K16253, K16254 and K16255**



Chemical Nozzle BLACK: This nozzle is used when applying cleaning detergents onto your surface. This nozzle produces the weakest pressure stream when cleaning your surface.

Note: Only use the BLACK chemical nozzle when applying detergent.

Supplied with: **K16254 and K16255**



Turbo Nozzle: This nozzle outputs a high pressure vortex style circular spray pattern providing greater cleaning efficiency over large surface areas, ideal for timber decks, drive ways etc.

Supplied with: **K16250, K16251, K16252 K16253, K16254 and K16255**



Adjustable Fan Nozzle: This nozzle allows the user to adjust the Pressure Washers output from a tight jet of water (which is extremely powerful and ideal for cleaning hard surfaces such as concrete) to a wide spray (which is quite gentle, ideal for cleaning large surfaces).

Note: DO NOT use this nozzle when adjusted to a tight jet on soft materials such as timber!

Supplied with: **K16250, K16251, K16252**



Soap Dispenser: Is a system for applying detergent. An adjustable spray pattern (vertically or horizontally) as it throws thick foam onto your vehicle, house, fence, sidewalk, roof or other washable items. By controlling the pressure from the high pressure gun it can increase or decrease the foam output. This allows the internal agitator to create a dense foam.

Supplied with: **K16250, and K16253**

Connecting Pressure Washer to Twist & Lock Nozzles K16250, K16251 & K16252

Once selected, push down on the nozzle quick release button on the end of the lance and insert the desired nozzle (Fig.23).

Release the nozzle quick release button and ensure it has returned into the locked position and try removing the installed nozzle.

If the nozzle will not come out of the quick connect connector then the connector is located correctly and the nozzle is secured and assembled correctly (Fig 24).



Fig.23



Fig.24

Connecting Pressure Washer to Quick Connect Nozzles K16253, K12154 & K12155

Once selected, pull down the outer sleeve of the brass quick connect coupler located on the end of the lance and insert the desired nozzle (Fig.25).

Release the brass quick connect coupler and ensure it has returned into the locked position and try removing the installed nozzle. If the nozzle will not come out of the quick connect connector then the connector collar is located correctly and the nozzle is secured and assembled correctly (Fig.26).

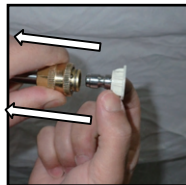


Fig.25



Fig.26

Operation



Ensure that the pressure cleaner is disconnected from the mains supply when not in use, before making changes or cleaning or leaving the machine unattended.



Never clamp your pressure cleaner to a bench or other device, IT IS A HAND HELD TOOL.

High pressure jets can be dangerous if subject to misuse. The jet must not be directed at persons, live electrical equipment or the machine itself.



WARNING: Never place your hands, feet or any body part in front of an operating nozzle. Never grasp the high pressure hose fittings during Pressure Washer operation. Never attempt to attach, remove hoses, pressure guns, lances or nozzles or hose fittings while the Pressure Washer is pressurized.

Always switch off the mains disconnecting switch when leaving the machine unattended.

Automatic ON/OFF:

The motor on this pressure washer does not run continuously. It only runs when the trigger of the spray gun is squeezed. After following the start up procedures in this manual, turn the pressure washer ON and squeeze the trigger for activation. See the section of this manual entitled "Operating Instructions" for further details on this feature.

Bleeding the Gun:

It is very important to bleed the gun before using the pressure washer. Squeeze the trigger to allow any air that is trapped inside of the unit and hose to escape. Continue to squeeze trigger until a steady stream of water comes from the nozzle (This process may take up to 2 minutes). See the section of this manual entitled "Operating Instructions" for further details on this process.

Starting and Stopping

Caution: Always turn the Pressure Washer OFF & lock the pressure gun trigger before attempting to change the pressure nozzles.

1. Located on the front face of the Pressure Washer is the ON/OFF switch.
2. To turn ON the Pressure Washer, you must rotate the ON/OFF switch to the On (I) position.
3. To turn OFF the Pressure Washer, you must rotate the ON/OFF switch to the OFF (O) position.

Caution: Always ensure your water supply is connected and turned ON prior to switching ON the Pressure Washer. Operating the Pressure Washer without water could damage the seals and pump.

4. After all connections have been made correctly & checked, plug in the power cord to your mains power socket and turn the power socket "ON".
5. Turn ON the electric Pressure Washer by rotating the ON/OFF switch to the On (I) position.
6. Pull the pressure gun trigger and the Pressure Washer is now operational.

Gun Safety Lock

Whenever you use the high pressure washer, we suggest you grip the in the right position, with one hand on the handle and the other on the lance. When you stop the machine it is necessary to use the safety lock placed on the gun in order to avoid accidental.

Attaching Soap dispenser K16250

1. Connect the twist and lock soap dispenser to the pressure gun by aligning and inserting the twist and lock connect soap dispenser into the end of the twist and lock pressure gun (Fig 27).
2. Push in the twist and lock extension lance and turn clockwise, until locked into position (Fig 28).



Fig.27



Fig.28

Attaching Soap dispenser K16253

1. Insert the end of the soap dispenser into the opening of the pressure gun,
2. Push the soap dispenser in (fig.29) and then twist it clockwise (fig.30) to securely lock the soap dispenser and pressure gun together. Ensure a tight and secure fit between both parts.



Fig.29



Fig.30

On Board Detergent Bottle (K16251, K16252, K16254 & K16255)

The Pressure Washer features a built-in detergent dispenser located at the rear. This dispenser comes in the form of a separate bottle specially designed to hold your preferred cleaning detergents. Its function is to mix the detergent with water and then apply the combined solution at a low pressure setting.

Ensure that the built-in detergent dispenser is firmly connected to the Pressure Washer when using detergents. If the detergent hose is not properly connected, the built-in dispenser will not work as intended.

1. To begin, remove the detergent dispenser bottle from its holder (refer to fig.31). Then, open the filler cap of the built-in detergent dispenser bottle and fill it with your chosen cleaning solution. Ensure that the water feed pipe of the detergent dispenser bottle is immersed in the liquid, and then securely tighten the cap (refer to fig.32 & fig.33).
2. Reinstall the detergent bottle back onto the Pressure Washer. Remember, when using the detergent bottle, only the "Chemical detergent nozzle" in BLACK can be utilized. It is important to note that the detergent will not function, and the solution will not be applied if you use the "High Pressure" nozzles in RED, GREEN, WHITE or TURBO settings.
3. Always insert the "Chemical Detergent Nozzle" in BLACK, as advised earlier. During operation, when you squeeze the trigger, water mixed with the detergent will be sprayed at low pressure to facilitate effective cleaning.



Fig.31



Fig.32



Fig.33

Detergent Flow Adjustment (K16255 only)

This Dial is used to adjust the flow rate of cleaning solution when using the washing machine. When you rotate clockwise, the flow rate of the cleaning solution will increase.

The water inlet filter must be inspected regularly, so as to avoid blockage and restriction in the water supply to the pump.



Fig.34

Connecting Pressure Washer to Mains Water K16250, K16251, K16252, K16253, K16254 & K16255

WARNING: To prevent damage of the surface you are cleaning & to select the appropriate nozzle for your application, always start cleaning your surface by using the lowest pressure possible. Start cleaning well away from your surface to ascertain if the nozzle type & distance from surface is appropriate for your cleaning needs.

Note: Always test the selected nozzle/cleaning distance in an inconspicuous spot in case of any damage to the surface is experienced. After testing the cleaning nozzle selected/distance of cleaning you can change nozzles & cleaning distance as required based on your cleaning application.

Note: Any damage caused to your surface due to pressure cleaning will not be covered by Kincrome.

Your Pressure Washer comes complete with 4 assorted cleaning nozzles and has a built in detergent dispenser .

Each nozzle delivers a specific cleaning spray pattern for a particular cleaning application. The size & shape of the cleaning nozzles determine the Pressure Washers output capacity. The different output capacities will deliver different cleaning results.

Note: This Pressure Washer, doesn't come supplied with an inlet hose, you must purchase one at your own expense from your local hardware store. Depending on the hose purchased, you will also need to purchase an inlet coupler and an additional inlet hose adaptor. The hose should be a reinforced wall hose, to ensure the hose does not collapse, when the Pressure Washer is being used. It is recommended that the minimum inside diameter of this hose should be no less than 19mm (3/4").

1. Once you have your inlet hose, you must connect a male hose adaptor to your mains water tap or storage device. Make sure you have screwed the male hose adaptor securely into the inlet filter.
2. Once installed, you must fit a female inlet coupler (not supplied) to either end of your inlet hose. Ensure they are firmly secured to your inlet hose.

Note: Some hoses have adaptors pre-installed when purchased.

3. Grab one end of your hose, and pull back the female inlet coupler and feed onto the male inlet adaptor located on your mains water tap. They should click into position.
4. With the free end of your hose, feed the remaining female inlet coupler onto the inlet filter adaptor on the Pressure Washer.
5. Your Pressure Washer is now ready to receive water!
6. Remove the inlet hose, repeat the above in reverse.

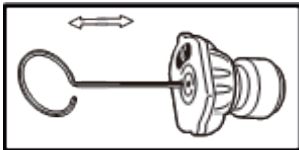
Maintenance and Storage (Refer to Product Specifications for Maintenance QR codes)



Ensure that the pressure cleaner is disconnected from the mains supply when not in use, before making changes or cleaning.

Cleaning Nozzles

Using included tip cleaner, or an unfolded paper clip, insert wire into the nozzle hole and move back and forth until debris is dislodged. Remove additional debris by back-flushing water through the nozzle. To do this, place end of a garden hose (with water running) to the end of nozzle for 30-60 seconds.



Storage

The machine should be stored in a frost-free environment.

After long-term storage without operation, it is possible to form scales inside the machine making it hard to start again. In such conditions it is recommended to turn off and disconnect the power supply and rotate the motor by hand several times so as to avoid excessive current draw on the motor and the power supply.

Repairing the Pressure Washer

There are no user serviceable parts except as outlined in the exploded views. Only trained, licensed and certified repair personnel should attempt any repairs or replacing of parts. Any modifications to this Pressure Washer, except those performed by the manufacturer, or their design, will void all warranties both written and implied.

Caring for the environment

When a Pressure Washer is no longer usable it should not be disposed of with household waste, but in an environmentally friendly way.

Please recycle where facilities exist. Check with your local council authority for recycling advice.

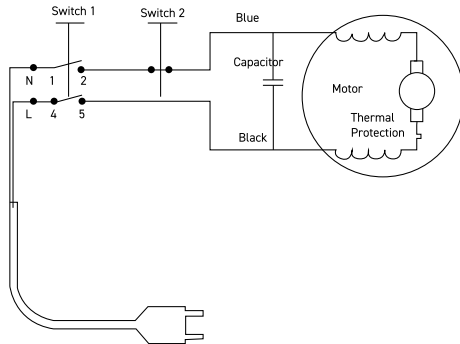
Recycling packaging reduces the need for landfill and raw materials. Reuse of recycled material

decreases pollution in the environment. Please recycle packaging where facilities exist. Check with your local council authority for recycling advice.

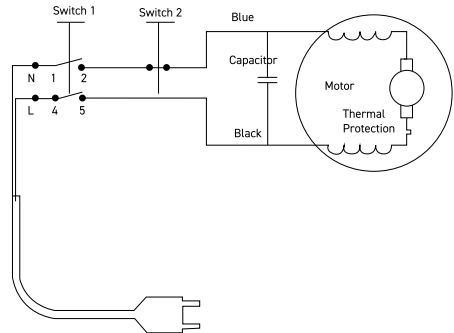
Troubleshooting

Symptom	Cause	Remedy
Motor Does not Start	Machine not plugged in Defective socket The power cord or extension cord is damaged Internal overheating protection activated	Plug in machine. Try another socket Inspect the power cord and extension cord for damage Allow machine to cool for 5 minutes
Motor Shuts Down	Internal overheating protection activated Max. pressure has been reached Nozzles Blocked.	Allow machine to cool for 5 minutes Pull the gun trigger to release pressure Clean nozzles
Erratic Working Pressure	Pump sucking air. Valves dirty, worn out or stuck. Pump seals worn out Irregular water supply Crimps or kinks in water hose	Check all fittings and hose have a good connection Contact Kincrome customer service Ensure water supply meets specifications
Fluctuation in Pressure or Motor Runs but there is no Pressure	Freezing Water not reaching the water inlet Filter Clogged Nozzle Clogged Inlet hose is damaged or Kinked	Allow pump, water hose or accessories to defrost Connect to a different mains supply Clean or replace filter Clean Nozzles Ensure hose is free of damage and Kinks
Weak Pressure but Continuous Water Stream	Worn Nozzles Worn ON/OFF valve	Replace Nozzles Contact Kincrome Customer Service
Starts and Stops when not being used	Leak in the pump, nozzles Gun & Lance or Hose	Check and tighten all fittings

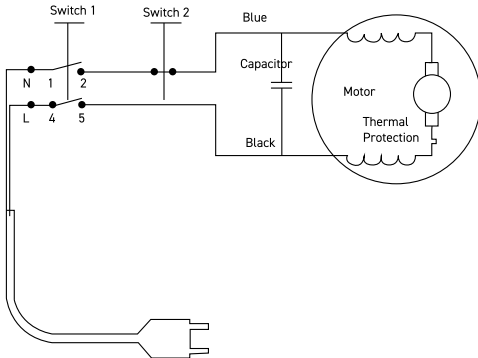
K16250 wiring diagram



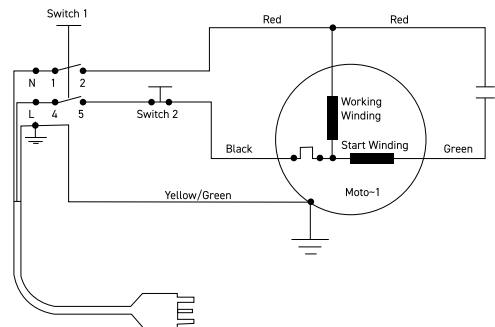
K16251 wiring diagram



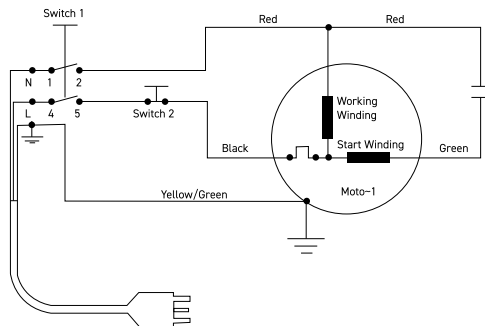
K16252 wiring diagram



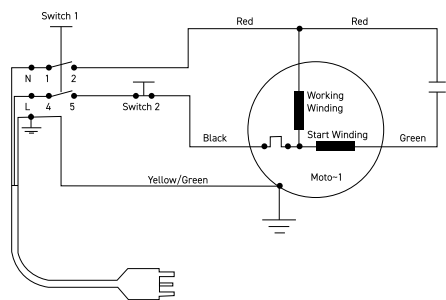
K16253 wiring diagram



K16254 wiring diagram

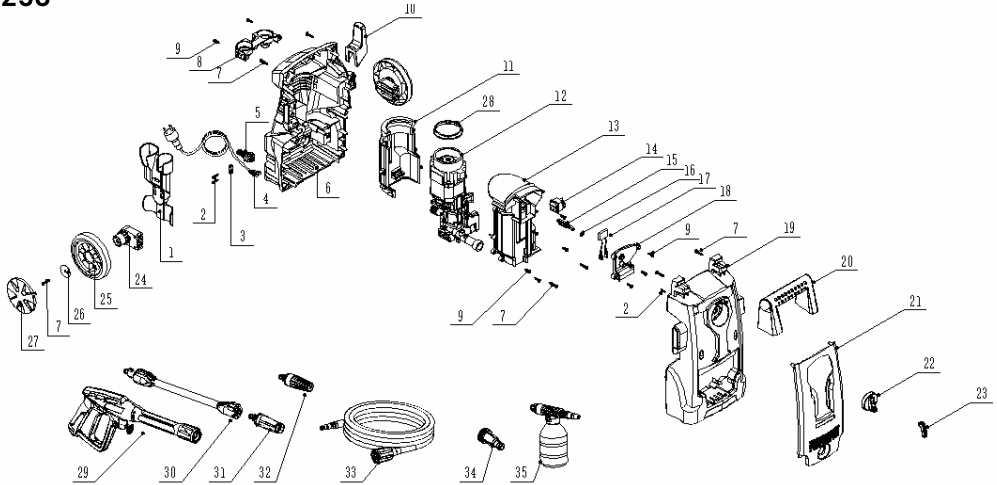


K16255 wiring diagram

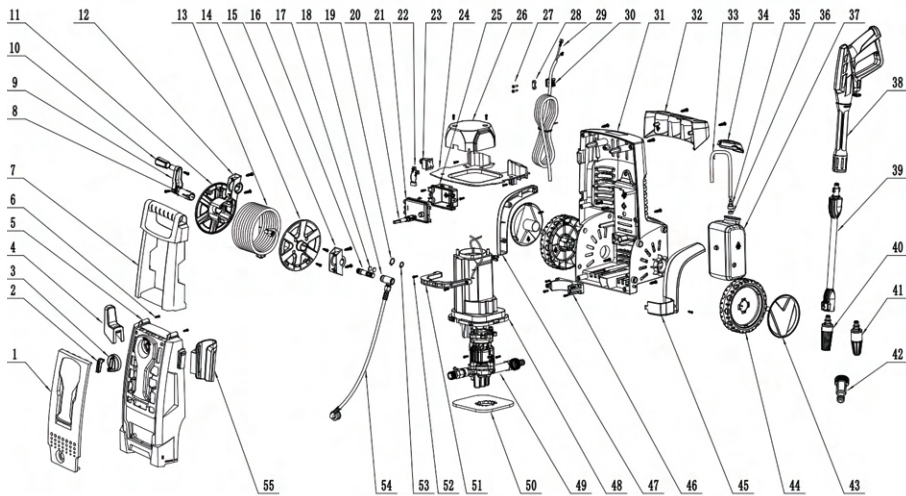


Exploded Diagrams

K16250

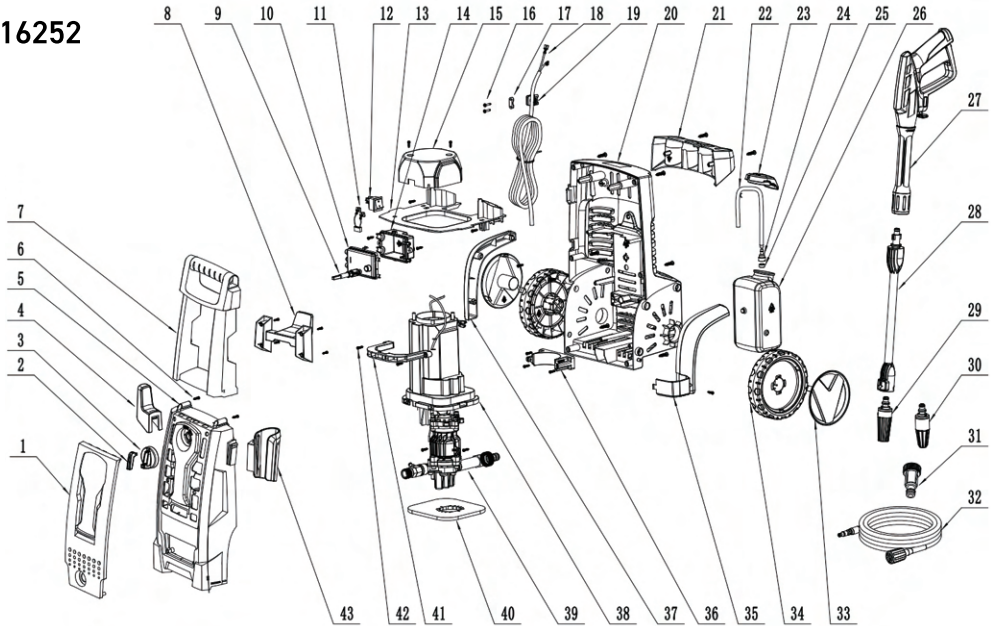


K16251

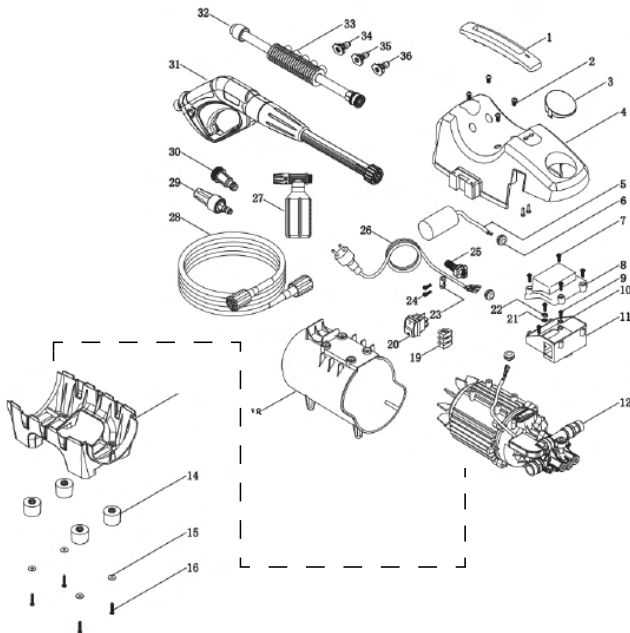


Exploded Diagrams

K16252

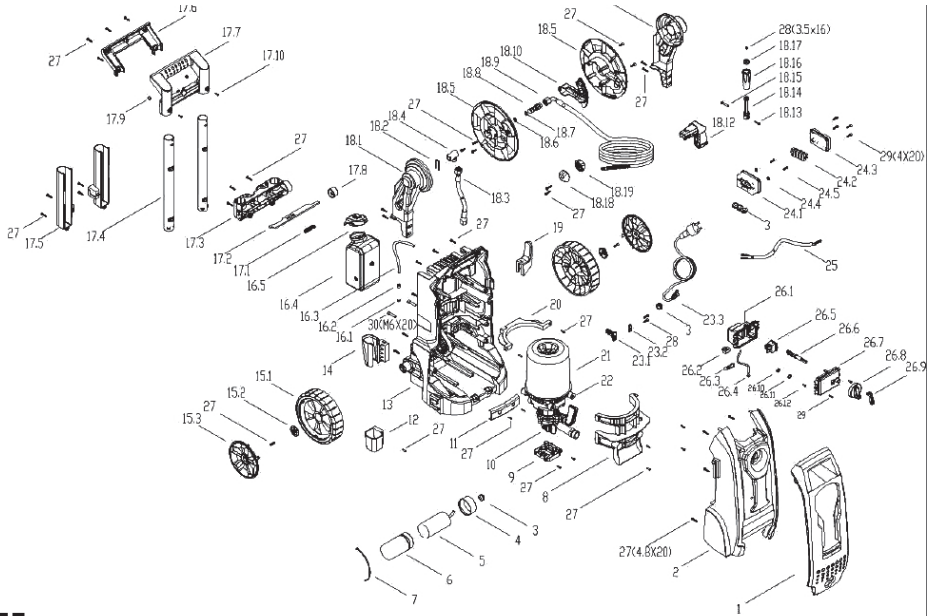


K16253

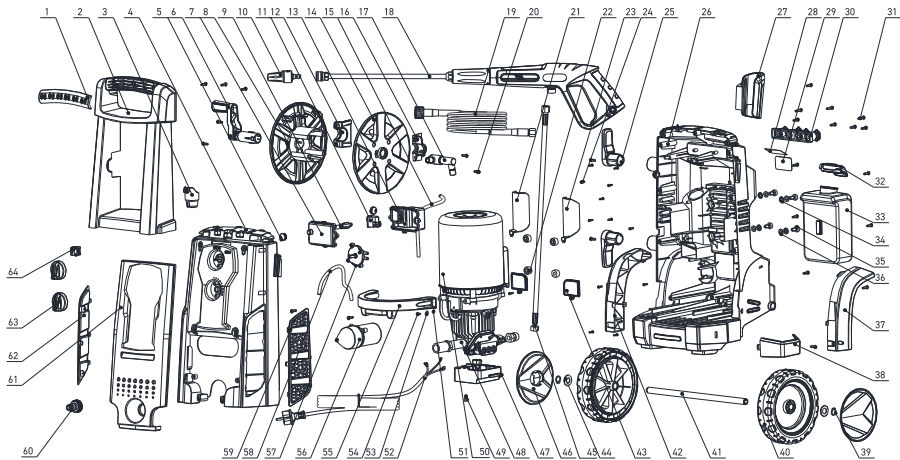


Exploded Diagrams

K16254



K16255



KINCROME

ELECTRIC PRESSURE WASHER

KINCROME

Distributed by Kincrome Tools and Equipment
www.kincrome.com.au
3 Lakeview Drive Scoresby Victoria
Phone: +61 3 9730 7100

Office Contact Details:



Phone: 1300 657 528



Fax: 1300 556 005



Email: enquiries@kincrome.com.au



Website: www.kincrome.com.au

**2 YEAR
WARRANTY**

Warranty given by Kincrome Australia Pty Ltd of 3 Lakeview Drive, Caribbean Park, Scoresby, Victoria (Tel +61 3 9730 7100). The applicable warranty period (24 months) commences on the date that the product is purchased. If this product has materials or workmanship defects (other than defects caused by abnormal or non warranted use) you can, at your cost, send the product to place of purchase, an authorised Kincrome service agent or one of Kincrome addresses for repair or replacement. Your rights under this warranty are in addition to any other rights you have under the Australian Consumer Law or other applicable laws. Our goods come with guarantees that cannot be excluded under the Australian Consumer Law. You are entitled to a replacement or refund for a major failure and compensation for any other reasonably foreseeable loss or damage. You are also entitled to have the goods repaired or replaced if the goods fail to be of acceptable quality and the failure does not amount to a major failure. For further details please visit www.kincrome.com.au or call us. Due to minor changes in design or manufacture, the product you purchase may sometimes differ from the one shown on the packaging.