

Toho Compact Wire Rope Builders Hoist

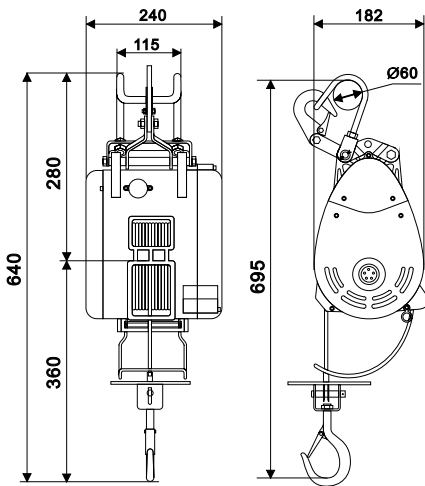
Specifically designed to hang from scaffold tubing to lift materials to and from different levels on a building site.

Available in 250kg, 360kg & 500kg models

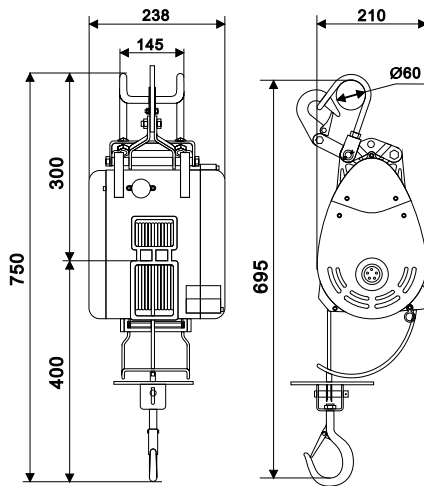
- 30 mtr lift
- auto stop feature
- heavy duty construction
- scaffolding safety latch
- 240 volt 3 pin plug power supply



- 7mtr pendant length



THB250



THB360 & THB500



(Supplied with a spare set of carbon brushes)

Part No.	Rated Capacity	Motor	Duty Cycle	Rope Dia	Lifting Speed	Power Supply	Insulation Class	Weight (Kg)	Lift (Mtr)
TBH250	250	1500W	25%	5mm	19m/min	220-240 V	F	22	30
TBH360	360	1600W	25%	5mm	13m/min	220-240 V	F	26	60
TBH500	500	1600W	25%	6mm	13m/min	220-240 V	F	30	30