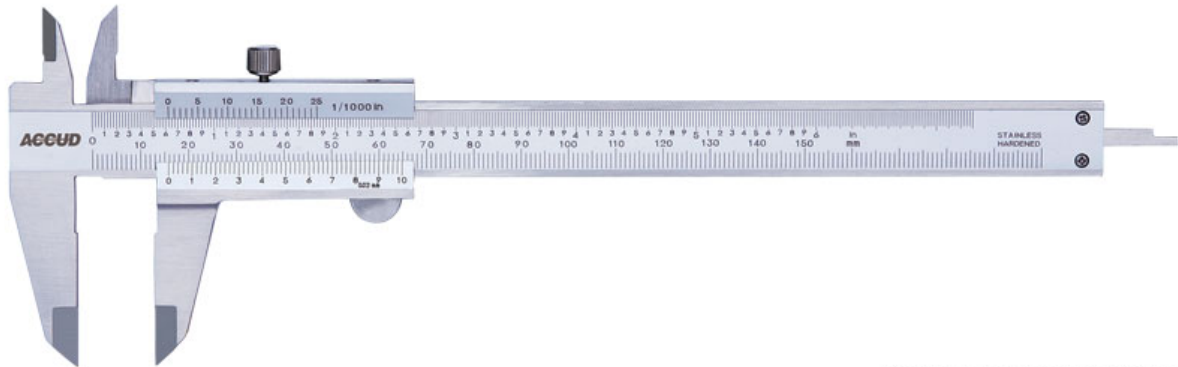


200mm Dual Scale Vernier Caliper

ACCUD

Part Number: AC-120-008-12



© Copyright M Gamer Pty. Ltd. 2012-2015

SPECIFICATIONS

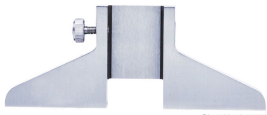
Range: 0-200 mm/0-8"
Graduation: 0.02 mm/0.001"
Accuracy: ± 0.03 mm
Internal Jaw Reach: 19 mm
Beam Width: 16 mm
External Jaw Reach: 50 mm
Length: 290mm

FEATURES

- Meet DIN862
- Stain chrome plated reading surface
- Made of stainless steel

SHIPPING WEIGHT: 0.53

ACCESSORIES



75mm Depth Base
Caliper Attachment