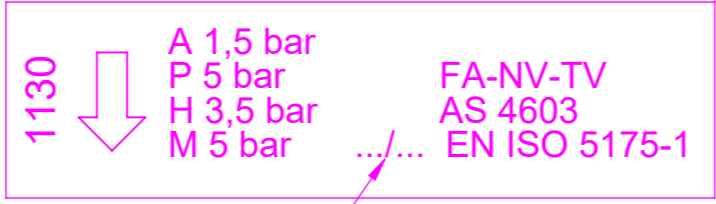


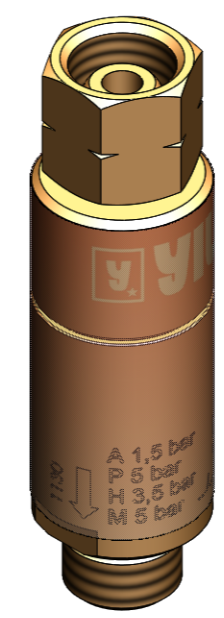
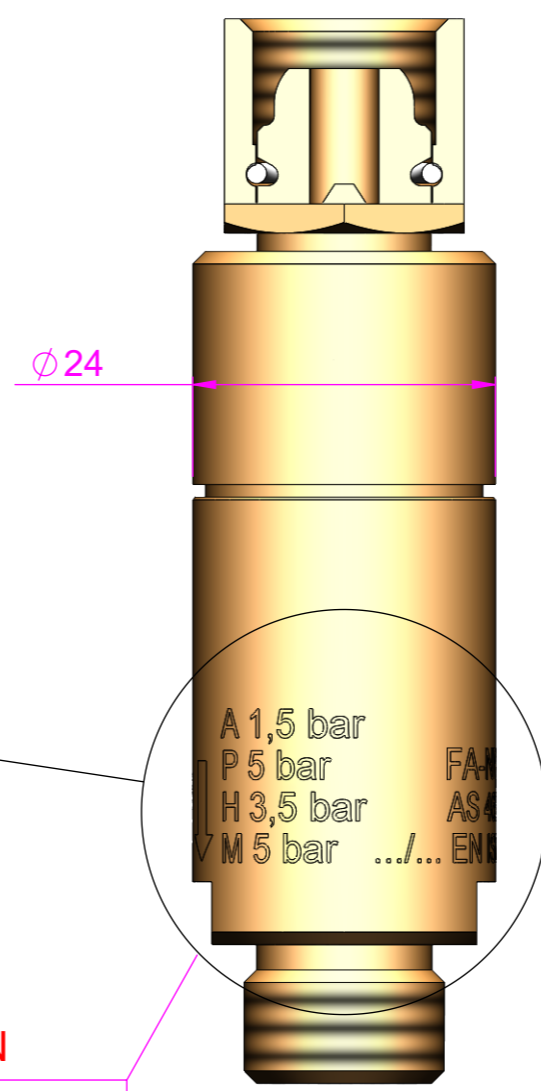
YILDIZ LABEL
(TRANSPARENT STICKER)



MARKING INFORMATION



FA: FLASHBACK ARRESTOR
NV: NON-RETURN VALVE
TV: THERMICAL VALVE
EN ISO 5175-1: WORKING STANDART



SCALE 1:1

MÜŞTERİ ONAYI
Customer Approval

ONAYLAYANIN ADI Approver's Name	
İMZA Signature	
TARİH Date	

AÇIKLAMA
Description

ÜRÜN AÇIKLAMALARI
Product Descriptions

MARKING: LASER
CARTON BOX: YILDIZ BRAND

ÜRÜN BİLGİLERİ
Product Informations

ÜRÜN ADI Product Name	PRESSURE REDUCING FLAME SAFETY VALVE
ÜRÜN SERİSİ Product Series	1130 Series
YILDIZ ÜRÜN KODU Yıldız Product No	1130-AU
MÜŞTERİ ÜRÜN KODU Customer Product No	XXX
GAZ TÜRÜ Gas Type	FUEL GAS
KULLANIM BASINCI Working Pressure	
DEBİ Flowrate	
ÇALIŞMA STANDARTI Working Standart	EN ISO 5175-1

PARÇA BİLGİLERİ
Part Informations

1	GİRİŞ BAĞLANTISI Inlet Connection	
2	ÇIKIŞ BAĞLANTISI Outlet Connection	
3	REDÜKSİYON Reducer	
4		
5		

ÇİZEN Dwg. by	O.FINDIK	TARİH Date	16.06.2025	İMZA Signature		YILDIZ GAZ ARMATÜRLERİ	BİRİM Unit mm
KONTROL Controlled by	D.GÜNGÖR	TARİH Date	16.06.2025	İMZA Signature			
REV NO Rev.No	01	REV AÇIKLAMASI Rev.Description					FORM A3