

PRODUCT CATALOGUE



THE QUALITY DIFFERENCE IN HAND TOOLS

DAWN PROFESSIONAL SERVICES

DAWN GENERAL ENGINEERING

Integral to the Dawn Tools & Vices Pty. Ltd. manufacturing facility is the Dawn General Engineering section where the variety of engineering capabilities and processes used in the manufacture of premium quality vices and clamps can also produce a range of other quality non-related components and products.

OUR CAPABILITIES INCLUDE:



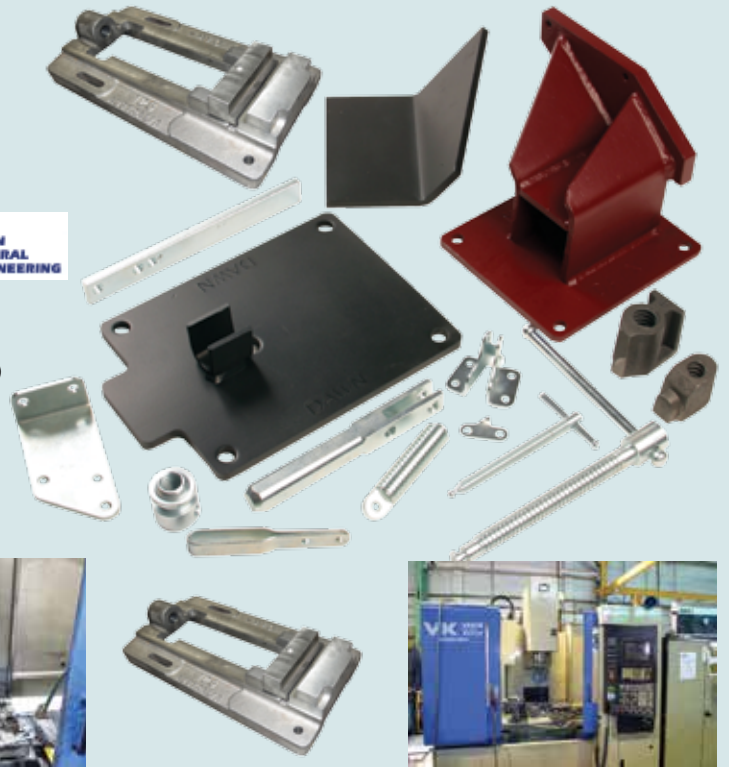
- CNC machining centres (max. bed 1400 x 720mm)
- Mild steel & stainless steel welding/fabrication
- Plasma cutting
- Milling (max. Length 1300mm x height 350mm)
- Turning (Up to dia 400mm)
- CNC lathe (Incl. dia 50mm bar feed)
- Bending
- Folding
- Forming
- Pressing
- Drilling/tapping
- Thread cutting
- Grinding
- Spray painting
- Assembly & packaging.



CNC - FEELER



CNC - HS



MACHINE VICE - MACHINED CASTING



CNC

WE CAN ACCOMMODATE LOW, MEDIUM OR HIGH LEVEL OF PRODUCTION AT VERY COMPETITIVE RATES AND WE ARE COMMITTED TO SUPPLYING QUALITY ON TIME DELIVERIES. PLEASE CONTACT US FOR A PROMPT QUOTATION.

PIPE/TUBE BENDING SERVICES

Dawn has now added a comprehensive Tube and Pipe bending capability to the General Engineering Department. Our uniquely designed DAWN TRUFORM Pipe Bender can achieve the most complex bending requirements with tight radius. We can bend square or round tubes and pipes. We can bend square and round pipes from 15NB to 50NB and 20 to 50Q steel, stainless steel and aluminium pipes. Ideal for hand rails, gates, fencing, gas & water services, exhausts, furniture etc.



Our methodology for pipe bending is simple - it is based on proper pipe bending tooling, proven set-up techniques and several in house tested principals described in our operating manual. Ideal for hand rails, gates, fencing, gas & water services, exhausts, furniture etc.



WE CAN PROVIDE COMPETITIVE PRICES FOR BENDING AND FORMING SERVICES. WE CAN SUPPLY THE MATERIAL AND BEND OR WE CAN BEND THE PIPES SUPPLIED BY YOU.

ROUND PIPE SIZES:

15, 20, 25, 32, 40 AND 50MM NB

SQUARE PIPE SIZES:

20, 25, 30, 35, 40 AND 50MM SQUARE

ROBOTIC WELDING

Our state of the art robotic welder can perform repeat jobs more ably than a manual welder. The welds are of very high quality, more consistent and thorough. A linked external rotary table enables provides an additional degree of freedom. The automatic Seam Tracking capability enables perfect seam welds to be generated. If you require repetitive, good quality, quick delivery welding at competitive prices please contact us.



THE DAWN VISION

Our objective is to provide our customers with high quality, high performance vices, clamps and associated handtools which offer superior value for money. It is our firm belief that our customers seek from us a service which goes beyond the product itself. We will anticipate correctly, future market requirements and provide competitive service to customers.



Our task is to identify the critical elements of our business partnerships and to develop clamping, holding, gripping, fastening and associated handtools which provide both partners with the highest possible level of long term satisfaction. We will achieve this objective providing we maintain a commitment to excellence throughout all aspects of our business. Consequently, we place substantial emphasis on the calibre of our employees for it is they who ultimately shape our company and give it the essential quality necessary for success. We will strive to provide our employees with a challenging and rewarding environment which will extend their capabilities and provide excellent levels of job satisfaction.

Our success in achieving these objectives will be measured by our ability to generate levels of profit that reward investors, sustain long term growth, provide competitive rewards for employees, and benefit the communities in which they live and work.

MISSION STATEMENT

To develop, manufacture and market premium quality vices, clamps, and associated hand tools, providing high level of customer satisfaction, rewarding and challenging workplace for our employees and to achieve sustained profitable growth through dedication to service, quality, innovation and continual improvement.

The "Dawn" History - Quality Builds Reputation and Reputation Governs Progress

"Once an Interstate visitor walked into the offices of the Dawn Manufacturing Plant, and stated that it had not been necessary for him to make any enquiries in order to locate Dawn, he merely followed the red line which reached unbroken from Northern Queensland to Melbourne. "Dawn" products are finished in a distinctive red paint, and the remark made was no fanciful exaggeration for in almost every factory and workshop in Australia, one or more units of "Dawn" equipment are in use giving reliable service.

Each of the "Dawn" products has features that show the application of sound engineering practice and indicates a true understanding of requirements. Each product is an added reason for the enviable reputation for reliability that the "Dawn" trade mark stands for. The "Dawn" reputation means exceptional quality, reliability and maximum efficiency, while the trademark can be regarded with definite satisfaction as one that an Australian company is proud to place on every manufactured article delivered from their progressive factory to show that it is Australian "from pig iron to paint" and has nothing to fear from any comparison."

Dawn commenced operations in the Melbourne suburb of Coburg, Victoria in 1917 under the name of Dawn Manufacturing Co. It was founded by four brothers named Blake, who were all engineers. The first products manufactured were vices. After the first world war, Dawn grew considerably and was selling its products all over Australia. They were very busy during the depression with each employee working 60-80 hours a week. During the second world war, Dawn was supplying vices and clamps to the Australian Defence Department.

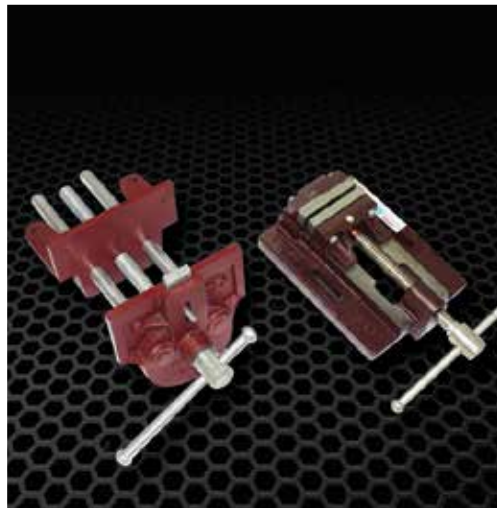
In 1959, the company was taken over by the G.N. Raymond Group. The Dawn catalogue now included a wide range of engineer's vices, woodworker's vices, plumber's vices & equipment, G-clamps, quick-action clamps and toggle clamps. In 1973, Dawn was acquired by Siddons Ramset Limited. In December 1991, Dawn became a unit of the United States owned Stanley Works Pty. Ltd.

In November 1998, Dawn regained its 100% Australian ownership. On February 1 2017, Dawn Tools was purchased by new owners who introduced new management in August 2017 to promote and expand the Dawn brand for the next 100 years.

Our 100 years experience and investigation into the design and metallurgical practice are embodied in the fabrication of Dawn's premium quality products. Our customers have given enormous support to our policy over the years to produce Australian products that compare with the world's best.



Australia's Largest & Widest Range of Gripping & Clamping Products



CONTENTS

7 VICES

Engineers' Vices	8
Engineers' Vices Offset	9
Engineers' Vices Fabricated	9
Engineers' Vices Stainless Steel	10
Engineers' Vices Forged Steel / Shopvice	11
Woodworkers' Standard Vices	12
Steel Jaws / Soft Jaws	13
Aluminium Jaws / Pipe Jaws	14
Drill Press Vices	15
Machining Vices	16
Toolmakers Vices	17
Vice Stands & Tables	18
Pipe Bender	20

23 CRAMPS & CLAMPS

Aluminium T-Bar Cramps	24
Steel Bar Cramps	24
Adjustable Fabricated Cramp Kit	24
Sash Clamps	25
Steel Bar Benders	25
Hold Down Table Clamp	25
G-Clamps	26
Quick Action Clamps	27
Carver Rack Clamps / Bar Clamps	28
Carver T-Slot Clamps	29
Carver Machine Vices	29
Bar Clamps	30
Spring Clamps	31

33 PRY BARS

Pry Bars	34
Safety Hand Guard	35
Weld Whackers	36
Hook & Pick Set	36
Carbon Scraper	36
Utility Pry Bar Set	37
Deck Wrecker	37
Ripping Chisels	38
Wrecking Bars	38

39 CLAMPS

Vertical Handle Toggle Clamps	40
Horizontal Handle Toggle Clamps	40
Solid Handle Toggle Clamps	41
Plunger Type Handle Toggle Clamps	41
Toggle Clamps Accessories	41
Hold Down Action Toggle Clamps	42
Straight Line Clamps	44
Plier Clamps	46
Special Clamps	47
Latch Clamps	48
Jig & Fixture Clamps	50

51 MAYHEW

Punch Sets	52
Pneumatic Tool Accessories	54
Tie Rod Removal Tool	55
Professional Hose Clamp Pliers	55
Pry Bars	56

57 MISCELLANEOUS

Telescopic Tube Cutters	58
Compact Tube Cutters	58
Lever Tube Bender	58
Heavy Duty Bolt Cutters	59
Concrete Mesh & Bolt Cutters	59
Vehicle Car Stand	59
Grinding Wheel Dressers	59
Heavy Duty Roller Stands	60
Product Hole Mountings Sizes & Locations	61
Spare Parts	64



GUARANTEE

Dawn products are quality products manufactured to last and are guaranteed against faulty materials and workmanship. This guarantee is subject to fair and proper usage of the products for the designed application and does not extend to altered, abused or badly worn product or fair wear and tear. Hydraulic units for pipe benders are guaranteed for 12 months. Australian made Dawn vices and clamps have a 25 year warranty against faulty materials and workmanship, does not include ware and tare. To make a claim under the warranty, take the product (with proof of purchase) to the store where you purchased the product. Liability is limited to the replacement of goods.

PRODUCT SPECIFICATIONS

In line with a policy of continuous product improvement, DAWN reserves the right to modify product specifications, and to add and delete products from the range without notice.



DAWN MERCHANDISERS



For our complete range of products check out our website at www.dawntools.com.au





ENGINEERS' VICES	8
ENGINEERS' VICES OFFSET	9
ENGINEERS' VICES FABRICATED	9
ENGINEERS' VICES STAINLESS STEEL	10
ENGINEERS' VICES FORGED STEEL / SHOPVICE	11
WOODWORKERS' STANDARD VICES	12
STEEL JAWS / SOFT JAWS	13
ALUMINIUM JAWS / PIPE JAWS	14
DRILL PRESS VICES	15
MACHINING VICES	16
TOOLMAKERS VICES	17
VICE STANDS & TABLES	18
PIPE BENDER	20



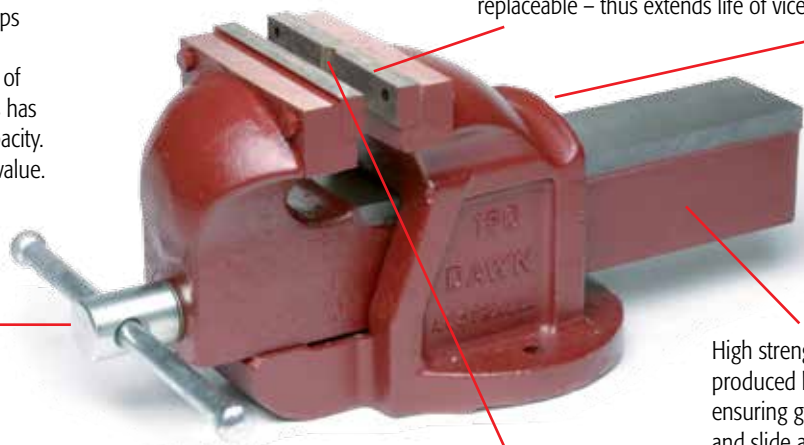
ENGINEERS' VICES - CAST IRON (SEMI-STEEL)



Case hardened steel jaws, serrated to provide good grip, removable and replaceable – thus extends life of vice. Deflector keeps filings away from moving parts – thus reducing wear.

Our most commonly used vices for workshops and garages. DAWN manufacture the most comprehensive range of vices with in excess of 100 years' experience in manufacturing vices has gone into design, accuracy, and gripping capacity. DAWN vices are unequalled for quality and value.

Corrosion resistant heavy duty screw and handle. Head of screw and knobs on handle are forged – won't shear off. Fine pitched Acme thread ensure long life and positive action. Nut is housed in the body and gives long service without wear. Nut is detachable and can be replaced.



Vertical Notch to hold non flat objects.

High strength cast iron body and slide produced by automated foundry ensuring good quality control. Body and slide accurately machined for perfect mating and smooth operation.

ENGINEERS' WITH SWIVEL BASE



Where an operation needs to be approached from several different directions, the robust swivel base enables the vice to be smoothly rotated through 360 degrees, so the work need not be removed from the vice and relocated. Two holding down screws lock the vice firmly in any position. The swivel base assembly can be purchased separately to suit any size of Engineers' vice.



ENGINEERS' SUPER GRADE HEAVY DUTY VICES - UNBREAKABLE



Super grade vices are the strongest in the range of vices we manufacture. It gives positive grip without springing. The vice body and slide are made from spheroidal graphite (S.G.) or ductile iron. This material is similar to cast steel in tensile strength and yet supremely rigid; ideal for heavy-duty applications such as chipping, hammering, automotive and truck servicing. Super grade vices are GUARANTEED AGAINST BREAKAGE. Finish – Light Hammertone Green.

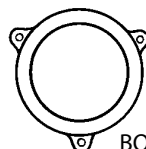


ENGINEERS' VICES

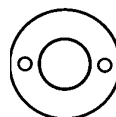
PART NO.	VICE SIZE JAW WIDTH MM	MAX. JAW OPENING MM	TYPE	WEIGHT KGS	OVERALL LENGTH (CLOSED) MM	OVERALL WIDTH MM	OVERALL HEIGHT MM
60151	75	85	STANDARD	5.4	250	120	113
60153	100	115	STANDARD	16	367	163	177
60155	125	145	STANDARD	23	445	170	193
60156	150	175	STANDARD	33.4	497	195	215
60157	200	225	STANDARD	57.8	650	237	275
60163	100	115	STD. C/W SWIVEL BASE	18.8	367	215	205
60165	125	145	STD. C/W SWIVEL BASE	27.5	445	238	225
60166	150	175	STD. C/W SWIVEL BASE	39.9	497	265	252
60167	200	225	STD. C/W SWIVEL BASE	74.6	650	335	336
60189	100	115	STANDARD SUPER GRADE	16	367	163	177
60190	125	145	STANDARD SUPER GRADE	23	445	170	193
60191	150	175	STANDARD SUPER GRADE	33.4	497	195	215

SWIVEL BASE ASSEMBLY

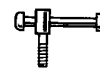
PART NO.	TO SUIT VICE SIZE	WEIGH KGS
65193	100	2.8
65194	125	4.5
65195	150	6.5
65196	200	16.8



BODY



INNER RING



LOCK SCREW (2)

ENGINEERS' OFFSET VICES - CAST



The Dawn Cast Engineers' Offset Vices have all the features and benefits of our Standard Vice. In addition, the Offset feature provides the facility for holding long vertical work with the full width of the jaws without obstruction from the main body of the vice. They are available in both Standard Cast Iron or Super Grade Ductile Iron which are **GUARANTEED AGAINST BREAKAGE**. The Super Grade Offset Vices are the jewel in the crown of vices produced by Dawn. They provide positive grip without springing and are ideal for heavy-duty applications. This world class vice which is unique to Dawn is simply the best vice a tradesman can own. Buy this vice and in 20 years you will still have the best vice, plus years of reliable service. This is truly a long lasting grand Australian made vice.



OFFSET STANDARD



OFFSET SUPER GRADE



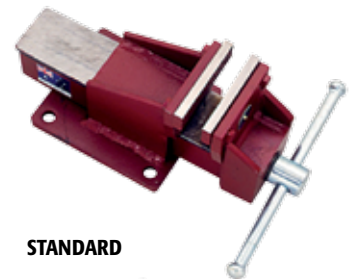
ENGINEERS' OFFSET VICES

PART NO.	VICE SIZE JAW WIDTH MM	MAX. JAW OPENING MM	TYPE	WEIGHT KGS	OVERALL LENGTH (CLOSED) MM	OVERALL WIDTH MM	OVERALL HEIGHT MM
60178	100	115	OFFSET STANDARD	26.6	418	267	210
60180	125	145	OFFSET STANDARD	39.4	492	294	231
60181	150	175	OFFSET STANDARD	55.5	550	348	265
60195	100	115	OFFSET SUPER GRADE	26.6	418	267	210
60196	125	145	OFFSET SUPER GRADE	39.4	492	294	231
60197	150	175	OFFSET SUPER GRADE	55.5	550	348	265

FABRICATED ENGINEERS' VICES



These vices are designed for all heavy-duty work and are manufactured from heavy steel plate. Long life is assured with case hardened replaceable steel jaws, replaceable nut, corrosion resistant screw and handle. Precision machined bearing surface ensures smooth operation. Fabricated vices are available in Standard Engineer's or Offset Standard or Offset - Left Hand design.



STANDARD

FABRICATED LEFT HAND OFFSET VICES



This new left handed offset vice enables the entire workbench to be utilized. It allows the user to operate from the other corners of a workbench while utilizing the major advantage of an offset vice, namely the ability to hold long vertical work with the full width of the jaws without obstruction from the main body of the vice.



OFFSET LEFT HAND



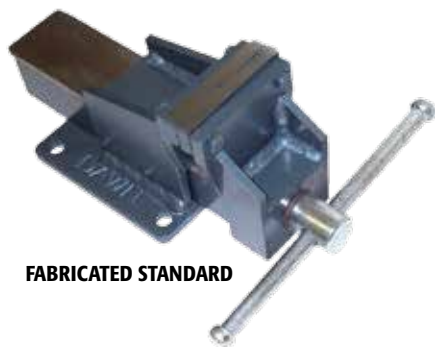
OFFSET

FABRICATED ENGINEERS' VICES

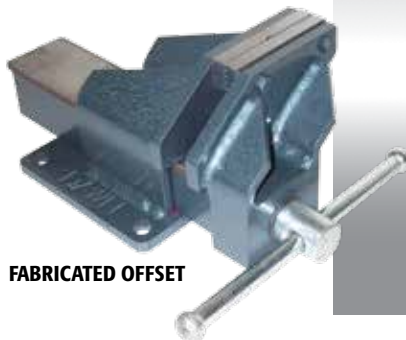
PART NO.	VICE SIZE JAW WIDTH MM	MAX. JAW OPENING MM	TYPE	WEIGHT KGS	OVERALL LENGTH (CLOSED) MM	OVERALL WIDTH MM	OVERALL HEIGHT MM
60205	100	115	STANDARD FABRICATED	10.5	342	150	138
60206	125	145	STANDARD FABRICATED	18.6	433	180	181
60207	150	175	STANDARD FABRICATED	22.6	495	200	192
60208	200	200	STANDARD FABRICATED	37	616	200	228
60212	100	115	OFFSET FABRICATED	11.2	342	188	138
60212-L	100	115	OFFSET FABRICATED - LEFT HAND	11.2	342	188	138
60213	125	125	OFFSET FABRICATED	20.3	441	242	179
60214	150	175	OFFSET FABRICATED	25	496	282	189
60214-L	150	175	OFFSET FABRICATED - LEFT HAND	25	496	282	189
60215	200	225	OFFSET FABRICATED	59.9	690	377	245
60215-L	200	225	OFFSET FABRICATED - LEFT HAND	59.9	690	377	245

FABRICATED ENGINEERS' VICES - I RANGE

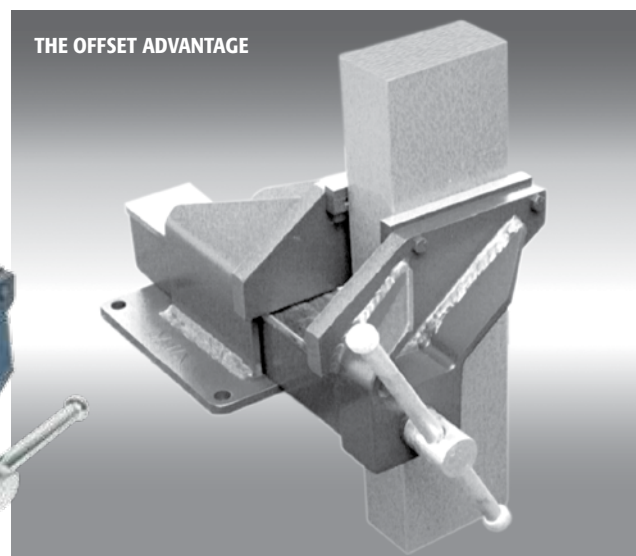
Manufactured from heavy steel plate, case hardened replaceable steel jaws, replaceable nut, corrosion resistant screw and handle, precision machined bearing surface. Available in standard or offset design. Quality fabricated vices at an affordable price suitable for the price conscious trade users and serious DIY.



FABRICATED STANDARD



FABRICATED OFFSET



THE OFFSET ADVANTAGE

FABRICATED ENGINEERS' VICES - I RANGE

PART NO.	VICE SIZE JAW WIDTH MM	MAX. JAW OPENING MM	TYPE	WEIGHT KGS	OVERALL LENGTH (CLOSED) MM	OVERALL WIDTH MM	OVERALL HEIGHT MM
60305	100	115	STANDARD FABRICATED - I RANGE	10	340	150	135
60306	125	145	STANDARD FABRICATED - I RANGE	18	430	180	180
60307	150	175	STANDARD FABRICATED - I RANGE	22	490	200	190
60308	200	200	STANDARD FABRICATED - I RANGE	36	610	200	225
60318	100	115	OFFSET FABRICATED - I RANGE	11	340	185	135
60319	125	125	OFFSET FABRICATED - I RANGE	20	440	240	175
60320	150	175	OFFSET FABRICATED - I RANGE	24	490	280	185
60321	200	225	OFFSET FABRICATED - I RANGE	59	690	375	240

STAINLESS STEEL FABRICATED ENGINEERS' VICES MARINE GRADE 316



- Designed for all heavy duty work in marine, chemical and specialist environments.
- Manufactured from Marine Grade 316, non magnetic stainless steel which is corrosion resistant.
- Comes as Standard or with 'Offset advantage' which allows the user to work on long vertical sections with the full width of the jaws without obstruction from the main body of the vice.
- Replaceable case hardened jaws, with a 'V' notch to hold round objects.
- Precision machined bearing surface for smooth operation.
- Also available in Left Hand Offset to enable use of all corners of the workbench or to suit left handed operators.



STAINLESS STEEL STANDARD



STAINLESS STEEL OFFSET

STAINLESS STEEL FABRICATED ENGINEERS' VICES - MARINE GRADE 316

PART NO.	VICE SIZE JAW WIDTH MM	MAX. JAW OPENING MM	TYPE	WEIGHT KGS	OVERALL LENGTH (CLOSED) MM	OVERALL WIDTH MM	OVERALL HEIGHT MM
60205-SS	100	115	STANDARD	10.5	342	150	138
60207-SS	150	175	STANDARD	22.6	496	200	192
60208-SS	200	200	STANDARD	37	616	200	228
60212-SS	100	115	OFFSET	11.2	342	188	139
60214-SS	150	175	OFFSET	25	496	282	189
60215-SS	200	225	OFFSET	59.9	690	377	245

DAWN FORGED STEEL UTILITY VICE WITH ANVIL AND PIPE JAWS

- Manufactured from Forged Steel.
- Pipe Vice Jaws.
- Large Anvil.
- Machined Bearing surfaces.
- Corrosion resistant nickel plated handle.
- Hardened serrated steel jaws.



STEEL UTILITY VICE WITH ANVIL AND PIPE JAWS

PART NO.	VICE SIZE JAW WIDTH MM	MAX. JAW OPENING MM	TYPE	CLAMPING FORCE KGS	PIPE CLAMPING DIAM FROM (O.D.) MM	WEIGHT KGS	LENGTH x WIDTH x HEIGHT MM
60420	100	100	STANDARD	1400	9.5 - 50	6	280 x 110 x 130
60421	125	140	STANDARD	1800	9.5 - 57	11.5	370 x 145 x 155
60422	150	240	STANDARD	2200	12 - 75	25	505 x 190 x 185
60423	175	240	STANDARD	2400	12 - 75	26	505 x 190 x 185

SWIVEL BASE OPTION

The Dawn Forged Steel Utility Vice is also available with a swivel base fitted to the base. This enables an operation to be approached from different directions.

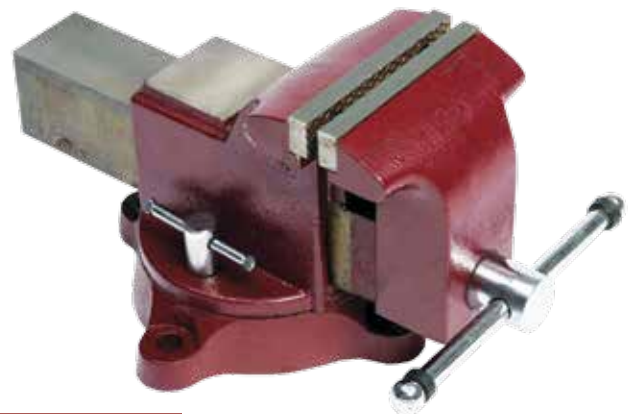


SWIVEL BASE OPTION

PART NO.	JAW WIDTH (MM)	TYPE
60430	100	SWIVEL BASE
60431	125	SWIVEL BASE
60432	150	SWIVEL BASE
60433	175	SWIVEL BASE

DAWN SHOPVICE

- Manufactured from heavy duty 200 MPa castings for maximum strength.
- Hardened serrated steel jaws.
- 360° Swivel Base.
- Pipe Jaws.
- Large anvil surface.
- Extra sturdy chrome plated handle.



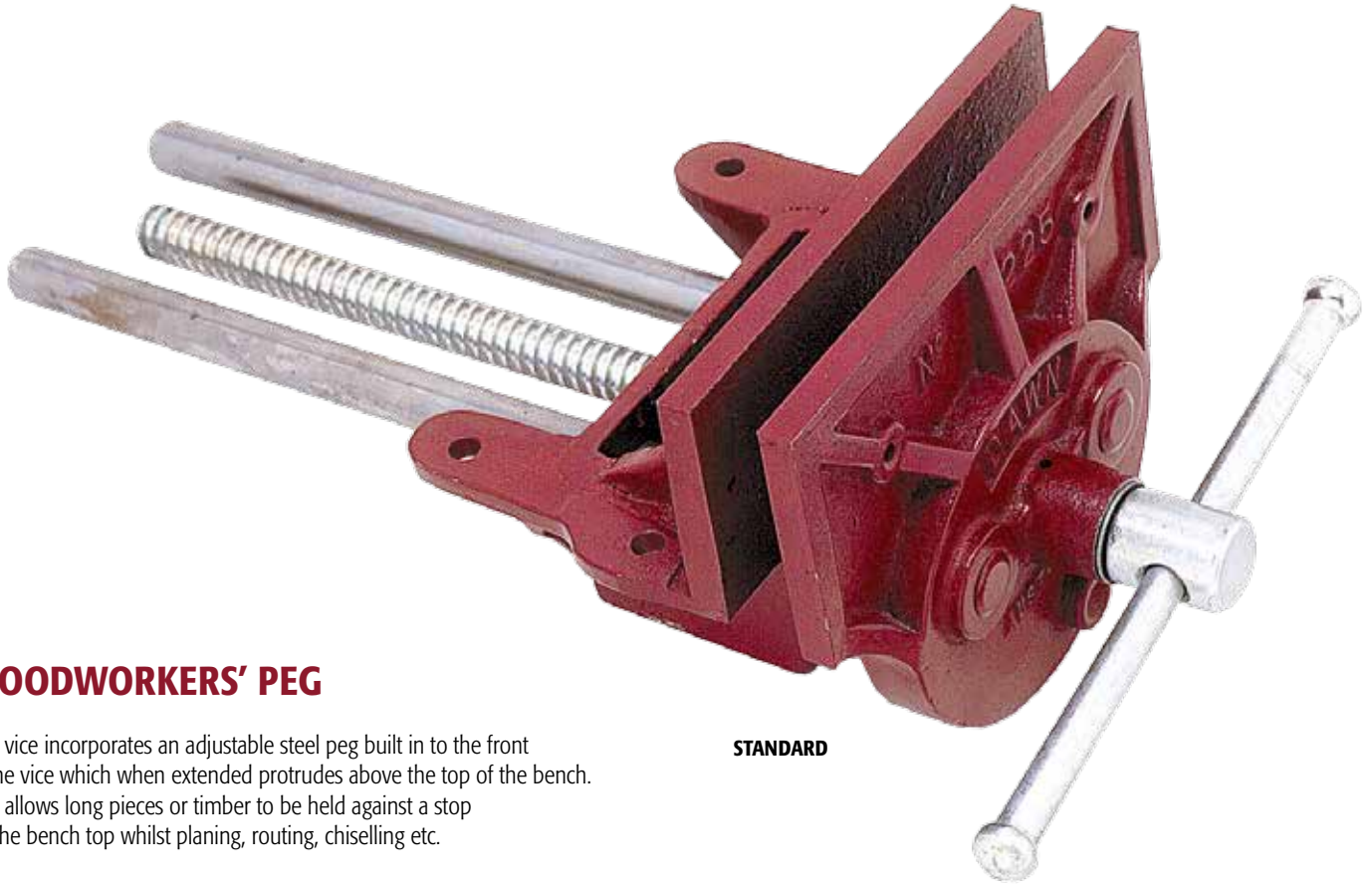
DAWN SHOPVICE

PART NO.	SIZE JAW WIDTH MM	MAX. JAW OPENING MM	PIPE JAW SIZE MM	WEIGHT KGS
60231	100	100	10 - 50	10
60232	125	125	12 - 62	14
60233	150	150	15 - 69	19

WOODWORKERS' STANDARD



These vices are Australian Made, made from robust castings and are designed with generous jaw area which gives even clamping on the whole depth of the workpiece. Long life is assured with replaceable nut, corrosion resistant screw and handle. The square body seating enables easy fitting to work bench and large diameter slide bars run into accurately machined guide holes to provide a smooth parallel movement. Vice body and sliding jaw have provision for attaching wooden liners to protect the vice, work piece and working tools.



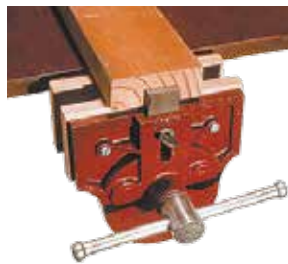
STANDARD

WOODWORKERS' PEG

This vice incorporates an adjustable steel peg built in to the front of the vice which when extended protrudes above the top of the bench. This allows long pieces or timber to be held against a stop on the bench top whilst planing, routing, chiselling etc.



WOODWORKERS' PEG



WOODWORKERS' VICES

PART NO.	VICE SIZE JAW WIDTH MM	MAX JAW OPENING MM	TYPE	WEIGHT KGS
60241	175	225	WOODWORKERS - STANDARD	7.8
60242	200	225	WOODWORKERS - STANDARD	8.4
60243	225	300	WOODWORKERS - STANDARD	12.6
60244	250	300	WOODWORKERS - STANDARD	13
60247	175	225	WOODWORKERS - PEG	8

BENCH SCREW



For those with an interest in making their own carpenter's vice, we have the bench screw, which consists of high quality corrosion resistant screw and handle, cast nut and collar. This product, in conjunction with a sturdy plank can be used to create a variety of vices and clamps any tradesman would be proud to own.



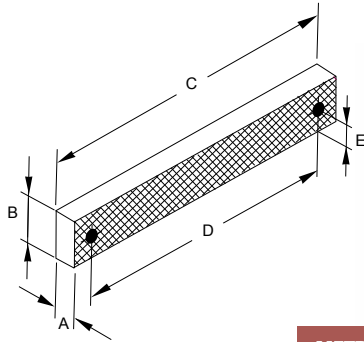
BENCH SCREW

PART NO.	SCREW DIAMETER MM	SCREW LENGTH MM	WEIGHT
60261	28.6 (1 1/8")	450	3.5

STEEL JAWS



- Replacement jaws are available for all vices manufactured by Dawn Tools & Vices Pty Ltd
- Serrated to provide excellent grip
- Jaws are case hardened for extra strength
- Vertical notch will assist with the holding of non flat objects (note: old style jaws do not have a notch)



METRIC JAWS & BOLTS (PAIR) WITH VERTICAL & HORIZONTAL SLOTS

PART NO.	VICE SIZE JAW WIDTH MM	A MM	B MM	C MM	D-HOLE CENTRES MM	BOLT SIZE MM
65134	100	10	25	102	75	8
65135	125	15	25	127	100	8
65136	150	15	25	152	125	8
65137	200	15	32	202	175	8

METRIC JAWS & BOLTS (PAIR)

PART NO.	VICE SIZE JAW WIDTH MM	A MM	B MM	C MM	D-HOLE CENTRES MM	BOLT SIZE MM
65127	75	8	16	77	60	6
65129	100L	10	25	102	75	8
65129	100	10	25	102	75	8
65130	115	15	25	117	90	8
65131	125	15	25	127	100	8
65132	150	15	25	152	125	8
65133	200	15	32	202	175	8



IMPERIAL JAWS & COUNTERSUNK BOLTS (PAIR) - OLD STYLE

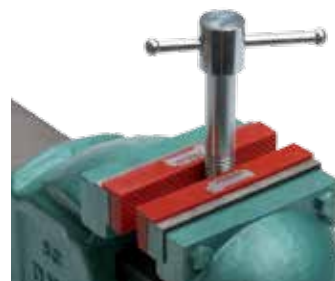
PART NO.	VICE SIZE JAW WIDTH MM	A MM	B MM	C MM	D-HOLE CENTRES INCHES	C/ SUNK BOLT	E MM
65150	3	8	16	77	1 1/2	1/4 BSW C/SUNK	7.5
65152	4L	10	22	102	2 3/16	1/4 BSW C/SUNK	8.0
65153	4	10	25	102	2 1/2	5/16 BSW C/SUNK	9.5
65154	4 1/2	15	25	117	2 3/4	5/16 BSW C/SUNK	9.5
65155	5	15	25	127	3	5/16 BSW C/SUNK	9.5
65156	6	15	25	152	4 1/8	5/16 BSW C/SUNK	11
65157	8	15	32	202	4 1/2	5/16 BSW C/SUNK	13

UTILITY VICE JAWS & BOLTS (PAIR)

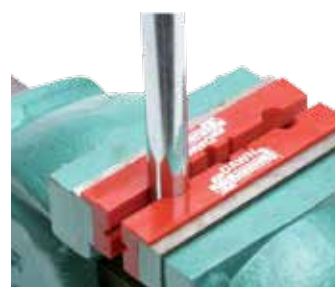
PART NO.	VICE SIZE JAW WIDTH MM	A MM	B MM	C MM	D-HOLE CENTRES	BOLT SIZE MM
65140	100	11	20	100	70	8
65141	125	13	25	125	90	8
65142	150	13	28	150	110	10
65143	175	13	28	175	110	10

**SOFT JAWS
PLASTIC (POLYURETHANE) SOFT JAWS,
MAGNETIC**

- Easy to use. Simply place over existing jaws
- Protects work piece from scoring or marking
- Available in standard serrated face or multigrips face for holding a variety of round objects in a variety of angles
- Magnetic strip holds jaws in place



SOFT JAWS STANDARD



SOFT JAWS MULTIGRIP

PLASTIC SOFT JAWS, STANDARD MAGNETIC

PART NO.	DESCRIPTION
22100	PLASTIC SOFT JAWS, STANDARD, MAGNETIC, 100MM (PAIR)
22125	PLASTIC SOFT JAWS, STANDARD, MAGNETIC, 125MM (PAIR)
22150	PLASTIC SOFT JAWS, STANDARD, MAGNETIC, 150MM (PAIR)
23100	PLASTIC MULTIGRIP SOFT JAWS, MAGNETIC, 100MM (PAIR)
23125	PLASTIC MULTIGRIP SOFT JAWS, MAGNETIC, 125MM (PAIR)
23150	PLASTIC MULTIGRIP SOFT JAWS, MAGNETIC, 150MM (PAIR)

ALUMINIUM SOFT JAWS, MAGNETIC



- Easy to use. Simply place over existing jaws
- Protects work piece from scoring or marking
- Available in standard smooth face or multigrip face for holding a variety of round objects
- Magnetic strip holds jaws in place

ALUMINIUM SOFT JAWS MULTIGRIP



ALUMINIUM MULTIGRIP SOFT JAWS, STANDARD MAGNETIC

PART NO.	DESCRIPTION
60104	ALUMINIUM MULTIGRIP SOFT JAWS, MAGNETIC, 100MM (PAIR)
60105	ALUMINIUM MULTIGRIP SOFT JAWS, MAGNETIC, 125MM (PAIR)
60106	ALUMINIUM MULTIGRIP SOFT JAWS, MAGNETIC, 150MM (PAIR)
60107	ALUMINIUM MULTIGRIP SOFT JAWS, MAGNETIC, 200MM (PAIR)

JAW INSERTS



Magnetic jaw inserts are available as optional extra to prevent marring of the workpiece. Strong magnets hold them in place, removing the need to drill & screw. They can slide on and off.



JAW INSERTS

PART NO.	VICE SIZE JAW WIDTH MM	MAX JAW OPENING MM	TYPE	WEIGHT KGS
63142	TO SUIT 175		JAW INSERT (PAIR)	0.75
63143	TO SUIT 250		JAW INSERT (PAIR)	1

PIPE JAWS, ADAPTOR

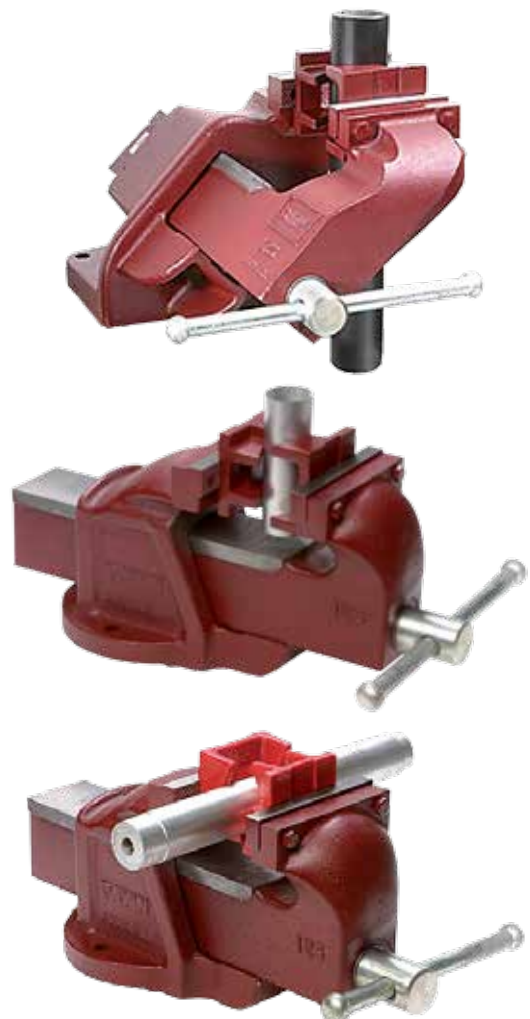
Converts any Standard or Offset Vice into a Pipe Vice

- Unique Australian design
- Holds pipe or round objects vertically or horizontally
- Heavy duty magnetic backing ensures jaws remain fixed to vice firmly
- Available in both plastic and Super Grade Ductile Iron
- Plastic jaws prevent scoring of workpiece.



PIPE JAWS ADAPTOR

PART NO.	DESCRIPTION
61010	PIPE JAWS, ADAPTOR - PLASTIC (PAIR)
61015	PIPE JAWS, ADAPTOR - S.G. DUCTILE IRON (PAIR)

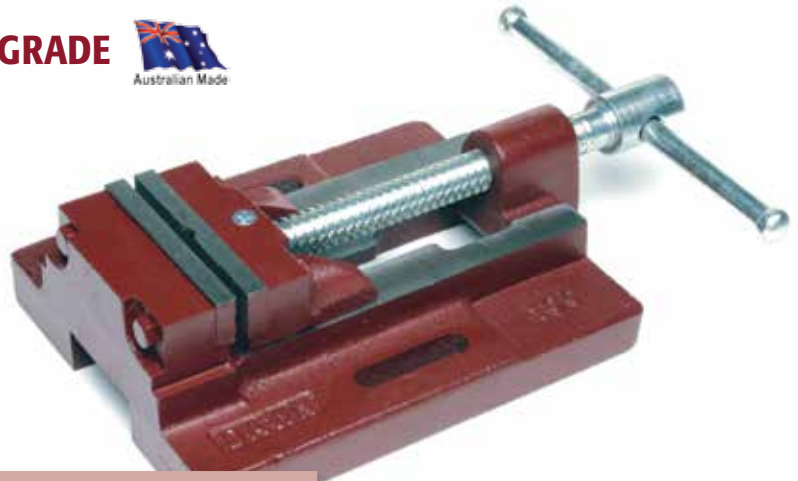


**MACHINE (DRILL PRESS) VICES - SUPER GRADE
- UNBREAKABLE**



These vices are made in Australia and are designed specifically for machine shop or tool room use and have accurately machined slide faces, case hardened replaceable steel serrated jaws, corrosion resistant screw and handle.

The bottom of the base is also machined for stable mounting and slots are provided for holding down bolts.



MACHINE (DRILL PRESS) VICES SUPER GRADE

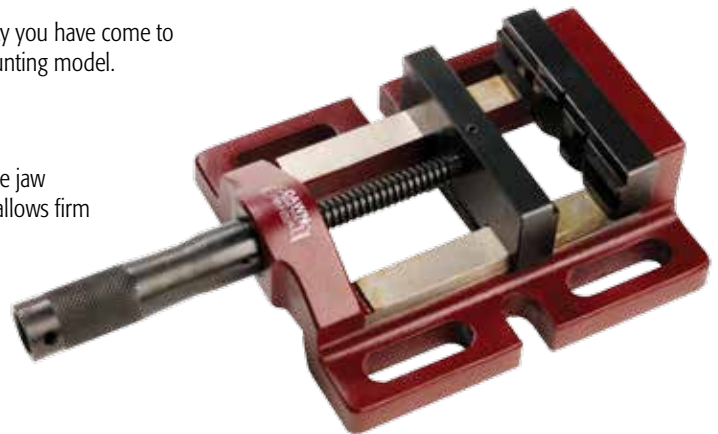
PART NO.	VICE SIZE JAW WIDTH MM	MAX. JAW OPENING MM	JAW HEIGHT MM	WEIGHT KGS	BED LENGTH MM	BED WIDTH MM	OVERALL HEIGHT MM
60219	75	60	27	4.6	170	135	64
60220	100	120	37	11.6	240	190	82
60221	125	250	45	21	410	220	89

UNIGRIP DRILL PRESS VICES

The new Dawn Drill Press Vices are versatile and sturdy and features the quality you have come to expect from DAWN. They are available as a standard model or as a 3 way mounting model.

Features and Benefits:

- Manufactured from graded cast iron for reliability
- Precision ground base and vice bed enables smooth lateral movement of the jaw
- The fixed vice jaw comes with 3 longitudinal and 1 transversal prism which allows firm gripping of round objects both horizontally and vertically
- A special seat in the jaws facilitates clamping of flat work pieces
- Spindle (screw) moves inside the hollow hand grip which allows the vice to be tightened at any position on the table thus increasing the application of the vice
- Elongated clamping slots enable rapid adjustment of the vice on the work table which save times



UNIGRIP DRILL PRESS VICES

PART NO.	JAW WIDTH MM	JAW OPEN MM	JAW DEPTH MM	WEIGHT KGS
61560	75	70	30	3.6
61561	100	88	30	4.2
61562	125	125	35	7.9
61563	150	165	40	9.5
61564	200	210	55	19.0

Applications:

Specifically designed for drill stands, bench drills and drill presses. Compact and low profile design makes them suitable for a multitude of metal working and woodworking applications.

UNIGRIP 3 WAY DRILL PRESS VICES

These vices provide 3 mounting options via 2 additional contact surfaces machined at right angles, allowing the vice to be used on the end face and side in addition to the base.

UNIGRIP 3 WAY DRILL PRESS VICES

PART NO.	JAW WIDTH MM	JAW OPEN MM	JAW DEPTH MM	WEIGHT KGS
61565	100	88	30	4.2
61566	125	125	35	7.9
61567	150	165	40	10.9



MILLING MACHINE VICE

One of the most popular vices used in workshops, shop floors etc. Used in milling operations, this vice also has application in jig boring, grinding, shaping etc. The 360° swivel base allows the vice to be set at any angle along the vertical axis. The vice is indexed horizontally all through 360°. Vice jaws are precision ground which allows the work piece to be held dead square without use of any packing. This not only improves the efficiency and life of the jaws, but also helps reduce strain on the vice body. Parallelism of the jaws is within 30 microns (0.0012”).



MILLING MACHINE VICES

PART NO.	VICE SIZE JAW WIDTH MM	MAX. JAW OPENING MM	JAW HEIGHT MM	WEIGHT KGS
61511	100	100	38	17.4
61512	150	150	45	38.8

ANGULAR MACHINE VICE

The Angular Machine Vice is ideal for application wherein the work piece requires machining at an angle, which can be easily set through adjustment of the angular slide. The vice is indexed all through vertical 90°. Additionally the fully graduated swivelbase allows for full horizontal indexing. The angular slide can be easily set to any desired angle 180° on either side using the “Hold Down” clamps. Graduations on either side of the angular slide add to the convenience for the user.



ANGULAR MACHINE VICES

PART NO.	VICE SIZE JAW WIDTH MM	MAX. JAW OPENING MM	JAW HEIGHT MM	WEIGHT KGS
61501	75	75	34	9.4
61502	100	100	38	17
61503	125	125	52	32
61504	150	150	52	38

SELF CENTRING VICE

This vice finds application in mass production jobs where the work piece is required to be repeatedly placed at the centre for a fixed machine setting. The spindle has opposite threads for quick and accurate centring.

Rotation of the handle automatically adjusts the work piece at it's centre. The 360° swivel base allows the vice to be set at any angle along the vertical axis.



SELF CENTRING VICES

PART NO.	VICE SIZE JAW WIDTH MM	MAX. JAW OPENING MM	JAW HEIGHT MM	WEIGHT KGS
61540	100	100	38	14.3
61541	125	125	52	26

UNIVERSAL VICES

The most versatile of the machine vices, with all degrees of freedom, allows the work piece to set at any desired compound angle. The low height of the vice makes it an ideal clamping tool for even the most complicated grinding job. The vice has a fixed horizontal axis which allows the work piece to be rotated at any angle along it. The swivel base allows the rotation of the work piece along the vertical axis and the third angular slide allows any setting in the 3D plane.



UNIVERSAL VICES

PART NO.	VICE SIZE JAW WIDTH MM	MAX. JAW OPENING MM	JAW HEIGHT MM	WEIGHT KGS
61531	100	100	38	13.4

THREE WAY TILTING VICES

This vice provides for 3 axis setting of the work piece required in special milling, drilling, grinding, shaping and jig boring applications. Vice has 2 angular slides which allow the work piece to be set to any desired angle. Vice has 45° tilting range on both sides and 90° vertical indexing. The 360° swivel base further allows rotation along the vertical axis. Use of high tensile grade 10.8 fasteners along with specially designed “hold down” clamp which provide full surface contact, ensures rigid positioning of the vice.

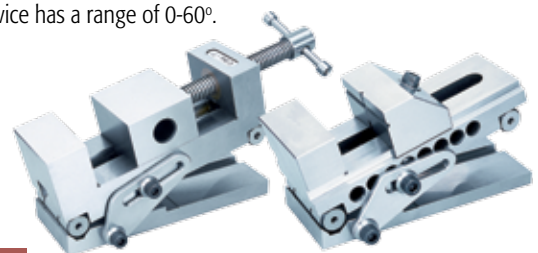


3 WAY TILTING VICES

PART NO.	VICE SIZE JAW WIDTH MM	MAX. JAW OPENING MM	JAW HEIGHT MM	WEIGHT KGS
61521	75	75	34	10.7
61522	100	100	38	20.5
61523	125	125	45	36
61524	150	150	45	54

SINE VICES

High precision one piece vice mounted on to precision hinged bottom plate. Fully hardened and ground jaws can be opened or closed without unbolting from the work table surface. Minute angle step built into the vice allows very small angles to be set with ease using standard gauge blocks. The vice has a range of 0-60°.



SINE VICES

PART NO.	TYPE	VICE SIZE JAW WIDTH MM	MAX. JAW OPENING MM	JAW HEIGHT MM	WEIGHT KGS
61586	SCREW	70	75	40	7
61587	SCREWLESS	70	75	40	7

TOOLMAKERS VICE

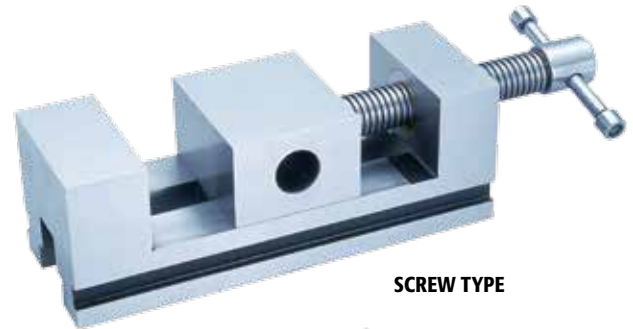
These solid one-piece vices with all steel construction are fully hardened and ground. Precision grinding on all surfaces makes them an ideal clamping tool for die making and other tool room applications.

SCREW TYPE

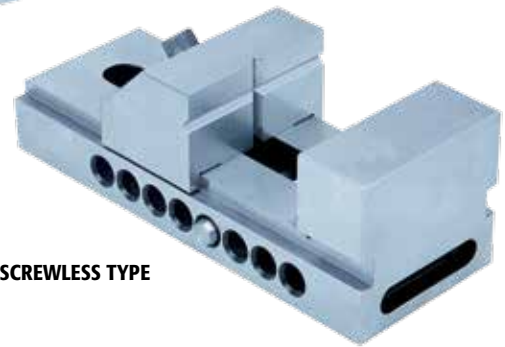
The spindle has precisely cut square threads for positive clamping. Gun metal bushes reduce wear and tear.

SCREWLESS TYPE

Vice has V grooved jaws for holding round jobs. Rapid positioning notches allow for quick and efficient setting.



SCREW TYPE



SCREWLESS TYPE

TOOLMAKERS VICES

PART NO.	TYPE	VICE SIZE JAW WIDTH MM	MAX. JAW OPENING MM	JAW HEIGHT MM	WEIGHT KGS
61575	SCREW	70	70	40	4.9
61570	SCREWLESS	50	78	25	1.8
61571	SCREWLESS	75	95	35	3.5

**PIPE VICE - CHAIN TYPE BOTTOM SCREW
- SUPER GRADE - UNBREAKABLE**



Its sturdy, compact design makes this a very popular plumber's tool. Equipped with machine cut and heat treated, it can be rapidly tightened to provide a very powerful grip which makes the pipe immovable. The high tensile chain goes over the pipe and is fastened into the slot at the side of the two 'V' shaped jaws.

This pipe vice is recommended for use with the Dawn Folding Vice Stand. (Part No. 62151M)

Larger length diameter pipes can be accommodated by the addition of extra lengths of chain as necessary.



PIPE VICES

PART NO.	TYPE	TAKES PIPE TO DIAM. - O.D. MM	WEIGHT KGS	SPARE CHAIN LENGTH MM
60272	C2	65	1.8	280
60273	C4	120	4.5	540
60274	C6	175	7.9	730

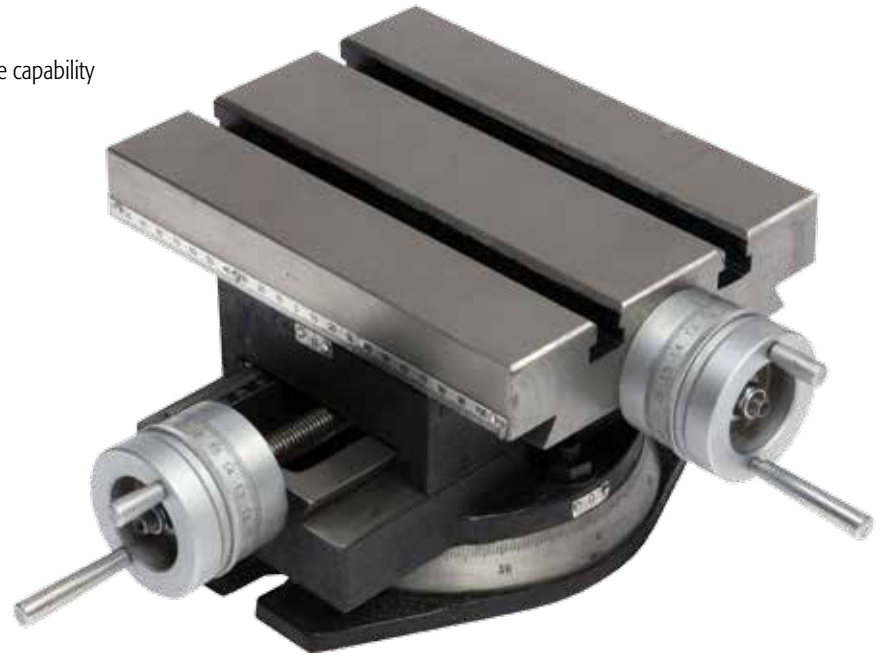
CROSS SLIDE VICE TABLES

Features:

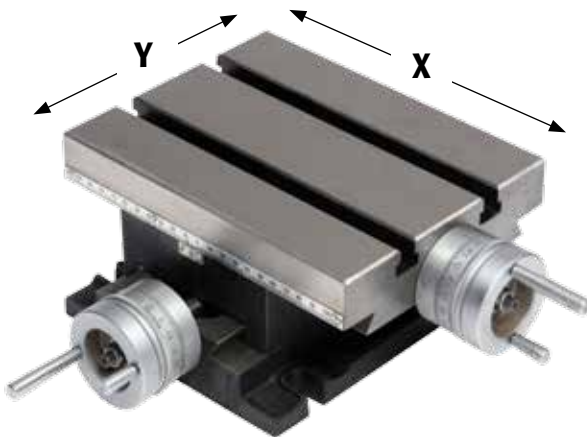
- Cross Slide Table enables any Dawn Vice to have a Cross Slide capability
- Provides a cross slide capability in the X and Y axis
- Swivel base model has an additional rotary capability
- Sturdy construction
- Dial indexed handle in 0.01mm graduations
- T slot vice mounting
- Adjustable slide tension
- Table position locking capability

Ideal for:

- Repetitive multi axis work (drilling, machining, milling)
- Reducing setup times
- Ease of tool change for repetitive jobs
- Ease in-job maintenance
- Compounding operations into the single setup



STANDARD, SWIVEL BASE



STANDARD, FIXED BASE



LONG, FIXED BASE



STANDARD, FIXED BASE WITH MACHINE VICE



LONG, FIXED BASE WITH ENGINEERS' VICE



STANDARD, SWIVEL BASE WITH DRILL PRESS VICE

CROSS SLIDE VICE TABLES

PART NO.	DESCRIPTION	TABLE SIZE (MM)	TABLE HEIGHT (MM)	TABLE TRAVEL (MAX)	
				X	Y
62171	CROSS SLIDE VICE TABLE, STANDARD, FIXED BASE	225 x 175	110	110	170
62174	CROSS SLIDE VICE TABLE, STANDARD, SWIVEL BASE	225 x 175	140	110	170
62178	CROSS SLIDE VICE TABLE, LONG, FIXED BASE	475 x 155	130	270	180

DAWN VEHICLE MOUNTED VICE STANDS



- Provides a secure platform from where to use your vice
- Ideal for tradesman, mobile workshop, farming, campers
- Mounting plate provided to suit customer supplied vice mounting hole configuration
- Easily stowed away when not required
- Portable Mobile Workshop essential
- Stable, Sturdy and Strong
- Easily fitted



PART NO.
62163

- Can be left in place until jockey wheel is required.

UTILITY/TRAY MOUNTED VICE STAND



PART NO.
62161

- Bolt to ute tray or tailgate
- Slide out vice to use
- Slide away when not required

JOCKEY WHEEL MOUNTED VICE STAND

- Simply replace Jockey wheel with Vice Stand to use



PART NO.
62163

- Can be left in place until jockey wheel is required.

TOW BAR MOUNTED VICE STAND

PART NO.
62162



- Suit Hayman Reese tow bar.
- Simply slide in, pin and use.

FOLDING VICE STAND



Extremely rigid and durable, this lightweight portable stand is easily set up and taken down, saving operators valuable time and effort. This stand will also accommodate the Dawn pipe vices, and up to a 100mm Engineers' vice.



PIPE BENDER STAND



FOLDING VICE STAND

PIPE BENDER & FOLDING VICE STAND

PART NO.	DESCRIPTION	WEIGHT KGS
62151M	FOLDING VICE STAND	19.0

10 TON HYDRAULIC PIPE BENDER - WITH SUPER GRADE FORMERS 15 TO 50MM



- 10 Ton Heavy Duty Hydraulic Unit based on military jack design
- Robust construction with quick bending and release action
- Designed to bend pipes with excellent results.
- Simple set up and operation produces accurate bend every time.
- Pipes do not require heating and it is portable – thus saving time.
- Concealed pressure relief valve minimises the possibility of damaging working parts
- Comes complete with six formers made from S.G. (Ductile) iron
- Applications – water services, gas services, handrails, gates, framework etc.
- For bending ERW, galvanised, gas, water & steam pipes
- Size of former relates to inside diameter of pipe
- Formers have 36mm diameter hole to take 35mm diameter hydraulic ram.



PIPE BENDER - SUPER GRADE HYDRAULIC FORMS

PART NO.	ITEM	WEIGHT KGS	OVERALL WIDTH MM
62168	PIPE BENDER - SET COMPLETE	63.0	?
67043	HYDRAULIC UNIT AND HANDLE	18.6	?
67086	FRAME	14.0	?
67087	PIPE SUPPORT PIN(2)	0.8	?
67088	PIPE SUPPORT	5.0	?
67080	15 MM FORMER	2.2	?
67081	20 MM FORMER	2.4	?
67082	25 MM FORMER	3.2	?
67083	32 MM FORMER	4.5	?
67084	40 MM FORMER	5.1	?
67085	50 MM FORMER	7.2	?

OPERATING INSTRUCTIONS

When fitting the hydraulic unit to the pipe bender frame, ensure that the carry handle on the hydraulic unit is in the upright position (top). The unit has been tested and is filled with OM33 Hydraulic Oil ready to use.

Select size of former required. Fit former to the ram on hydraulic unit. Locate pipe support and pins in the holes on frame bearing the same number as the size of the former selected. If the pins holding the pipe support are located in the wrong holes, the former would possibly get damaged. Care must be taken to see that the pins pass through the top and bottom plates of the frame. The centre of the former should contact the pipe at the centre of the proposed bend.

TO MAKE BEND

Close release valve on hydraulic unit and operate handle until the ram has travelled sufficient distance to give the desired bend. Owing to the spring reflex of the pipe it is necessary to travel a little more than the actual bend, but with a little practice the operator will soon become proficient in making excellent bends.

TO REMOVE BEND

Open the release valve partially (approximately 1 turn) on the hydraulic unit and push the ram down. If difficulty is experienced in removing the bend from the former, insert a lever between bend and the former. A small quantity of grease placed on the pipe or the former will also assist.

PIPE SIZES

PIPE SIZE		MINIMUM WALL THICKNESS MM	CENTRE LINE RADIUS	
I.D.	O.D.		MM	RATIO TO O.D.
15	21.3	3.15	80	3.8
20	26.9	3.45	100	3.7
25	33.7	4.35	140	4.2
32	42.4	5.2	190	4.5
40	48.3	4.15	225	4.7
50	60.3	5.15	300	5.0

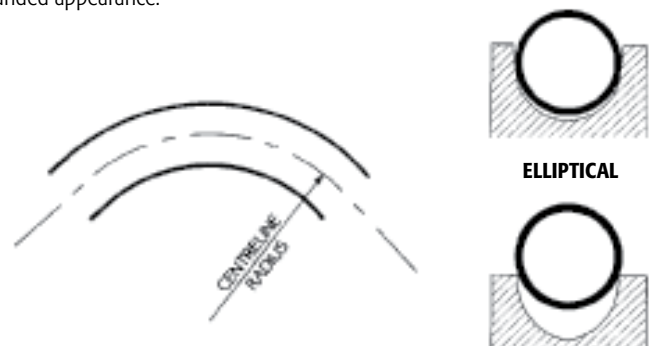
TECHNICAL DATA

“Elliptical” profile formers

Sizes 20, 25, 32 and 40 mm formers have elliptical profile. The pipe sits close to, but not on, the bottom of the former. This gives good side support for extra light gauge pipes.

“Cathedral” profile formers

Sizes 15 and 50 mm formers have cathedral profile. The Cathedral profile is a registered design of Dawn. The pipe sits on the entry to the former and will move to the bottom when bending starts. The former squeezes the sides of the pipe, allowing lighter gauge pipes to be bent at tighter radii. The former also supports the pipe through the bending process, giving a more aesthetic rounded appearance.



HYDRAULIC UNIT (67043) MAINTENANCE INSTRUCTIONS

When fitting hydraulic unit to the pipe bender frame, ensure that the carry handle on the hydraulic unit is in the upright position. The unit has been tested and is filled with OM33 Hydraulic Oil ready to use.

TO OPERATE

- Close release valve firmly
- Pump until desired stroke is reached
- To release pressure open release valve (approx. 1 turn)
- To retract ram to its closed height position, push the ram down by hand. (An extra turn on the release valve will make it easier to depress ram).

When the unit is not in use or being stored, always ensure the ram is fully depressed to its closed height. (This will prevent any damage to the ram) With proper use and care the Dawn Hydraulic Unit will give you many years of service. If the unit is not frequently used, it should be operated a few times approx. every 3 to 4 months to exercise the seals. Use only OM33 Mineral Hydraulic Oil – DO NOT USE BRAKE FLUID.

SERVICE

Provided the unit is kept clean and the ram is not damaged, it requires no service other than checking that the oil level is maintained. To check oil level, stand the unit upright, unscrew the filler plug screw on the side of the cylinder and the oil should be at the level of the filler hole. However, over a period of time and depending on the workload, the seals will wear. Generally the early sign is oil appearing around the pump piston. This can be seal wear or that the pump gland nut just requires tightening. Tighten the gland nut (9/4) firmly. If oil persists then replace the pump 'O' ring and Teflon backup washer (9/2 & 9/3).

A TO REPLACE PUMP SEALS

- 1 Close release valve
- 2 Pump ram to its full extension
- 3 Remove pin at bottom of pump link
- 4 Unscrew pump gland nut enough to allow pump handle and pump ram to be removed from pump body. Note: a small amount of oil will run out (the balance of oil is contained in the ram cylinder)
- 5 Replace pump 'O' ring and Teflon backup washer
- 6 Replace ram into pump body and reconnect link
- 7 Tighten gland nut
- 8 Open release valve to allow ram to retract. Unit is now ready to operate.

WARRANTY

Hydraulic Units for Pipe Benders are guaranteed for 12 months from purchase.

B TO REPLACE CHECK VALVE

- Same procedure as per (A) items 1 to 4
- Then unscrew pump body
- Remove check valve and replace (if necessary)
- Re-fit pump body using Locktite on the threads
- Re-fit pump as per (A) items 6,7, & 8.

C TO REPLACE RAM CUP WASHER

- Drain oil from jack
- To drain the oil, pump ram to its full extension. (Have container ready to catch the oil)
- Unscrew and remove release valve and let oil escape through release valve hole, pushing ram down gently to ensure all oil is drained
- Unscrew cap nut and remove
- Pull ram from cylinder being careful not damage the ram
- Replace cup washer. Re-fit ram to cylinder and re-assemble, checking reservoir seals and cup nut 'O' ring are satisfactory (replace if necessary)
- Re-fill oil and test.

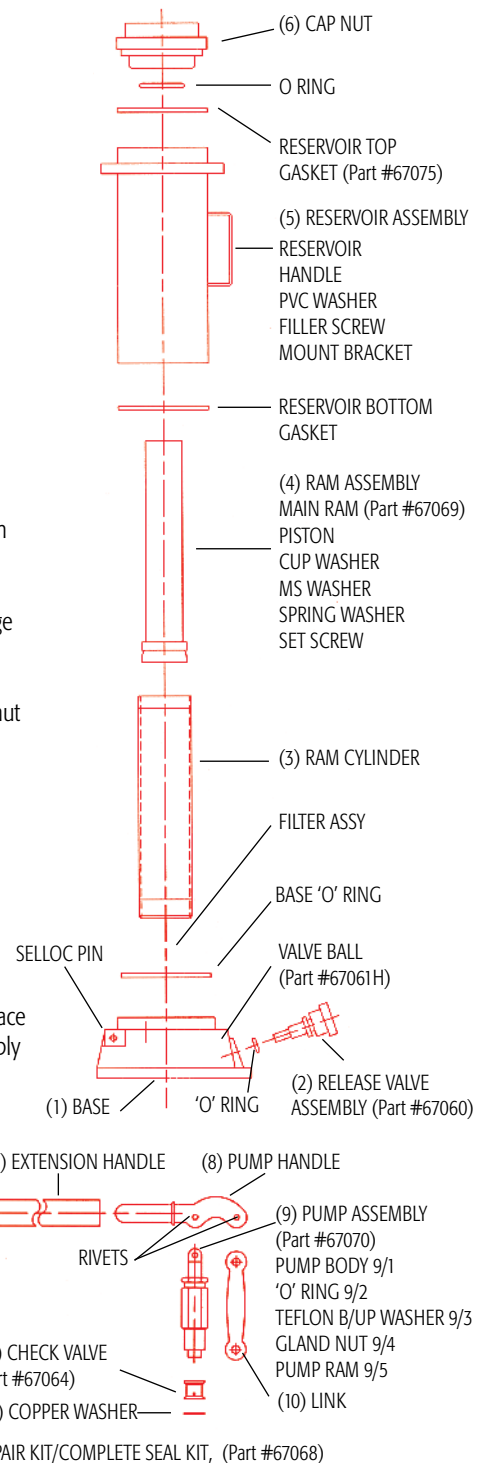
D RELEASE VALVE

- To replace 'O' ring lay jack on its side
- Unscrew release valve and replace 'O' ring
- Re-fit valve to base.

The above service instructions enable you to replace any of the seals as shown in the exploded assembly drawing.

You can just replace the appropriate seals causing the problem, but it is prudent to replace all seals and components whilst you have the unit down for service so ensuring trouble-free operation in the future.

Seal Kits which contain all the seals and components, excluding the pump check valve, are supplied as a kit. (part number 67068).



TROUBLESHOOTING GUIDE

Fault:	Remedy:
Unit fails to operate.	Check release valve is closed
Ram not holding load.	Check release valve. Fouled check valve (remove and clean or replace). Ram piston faulty.
Ram not fully extending.	Oil low.
Ram not returning or jammed	Release valve not open. Fouled check valve (remove and clean or replace). Ram may be damaged. Re-align unit in frame.



DAWN TRUFORM SQUARE AND ROUND TUBE/PIPE BENDER

The Dawn TruForm Square and Round Tube/Pipe Bender has been developed with the cooperation from Australian Tube Mills (Onesteel / Smorgan Steel), to efficiently bend Square and Round Pipes. The new bender will eliminate failure and wrinkling when bending pipes of all gauges and strengths.

The Truform bender can bend pipes in many directions and through various degrees in the shortest possible length of pipe. This versatile feature means that the Dawn TruForm bender can be used for virtually any application.

Our methodology for pipe bending is simple – it is based on proper pipe bending tooling, proven set-up techniques and several in house tested principals described in our operating manual.



truform



ROUND FORMERS

SQUARE FORMERS

FORMERS/ROLLERS

All Formers are made from **hardened tool steel** for maximum wear resistance and enhanced bending performance.

Standard former sizes are as follows:

ROUND PIPE SIZES:	15, 20, 25, 32, 40 AND 50MM NB
SQUARE PIPE SIZES:	20, 25, 30, 35, 40 AND 50MM SQUARE

Radius of Bend::

PIPE SIZE MM (ROUND)	CENTRELINE RADIUS	PIPE SIZE MM (SQUARE)	CENTRELINE RADIUS
15	75	20	46
20	90	25	52
25	100	30	74
32	120	35	73
40	140	40	89
50	195	50	126

SPECIFICATIONS

Operation

Hydraulic – 17237 kPa (2500 psi)
Mechanical – Rack & pinion gearing

Bend angle range

1° - 180°

Unit weight

- Bender 295kg Powerpack 93kg
- Set of Round formers 150kg
- Set of Square formers 110kg

Electric motor

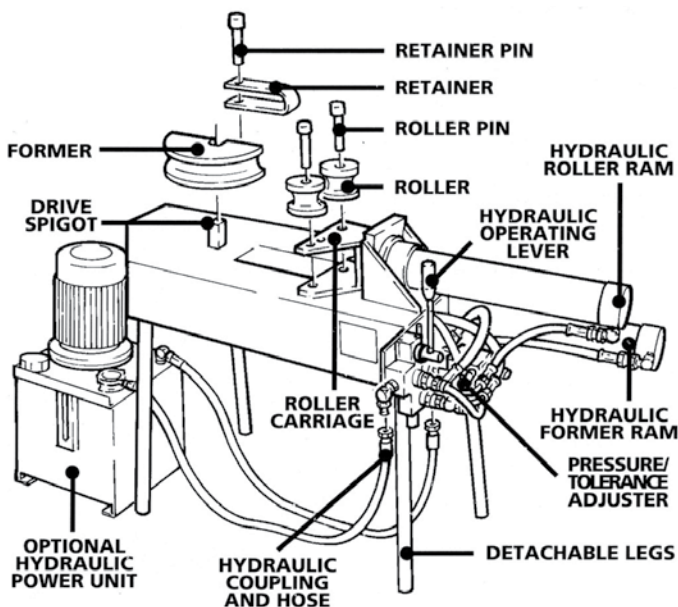
4 Kw, 1440 RPM, 415V, 3Ph, 30Amps maximum

APPLICATIONS

Will bend mild steel, stainless steel and aluminum pipes.

- Steel fencing • Street sign posts • Gates • Handrails • Bench frames
- Cattle, sheep and horse stockyards • Exhaust systems • Bull bar construction
- Trampolines • Commercial furniture • Fire sprinkler systems • Compressed air lines • Playground equipment • Boat trailers • Ladder racks • Roll bars
- Sheds etc.

Items can be purchased separately or as a set



**MADE AUSSIE
TOUGH!**

CRAMPS & CLAMPS

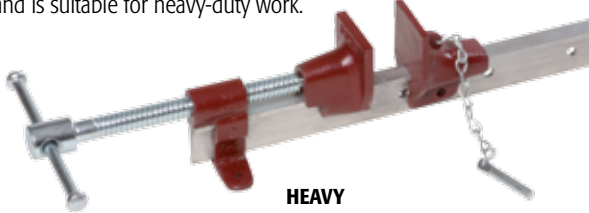


ALUMINIUM T-BAR CRAMPS	24
STEEL BAR CRAMPS	24
ADJUSTABLE FABRICATED CRAMP KIT	24
SASH CLAMPS	25
STEEL BAR BENDERS	25
HOLD DOWN TABLE CLAMP	25
G-CLAMPS	26
QUICK ACTION CLAMPS	27
CARVER RACK CLAMPS / BAR CLAMPS	28
CARVER T-SLOT CLAMPS	29
CARVER MACHINE VICES	29
BAR CLAMPS	30
SPRING CLAMPS	31

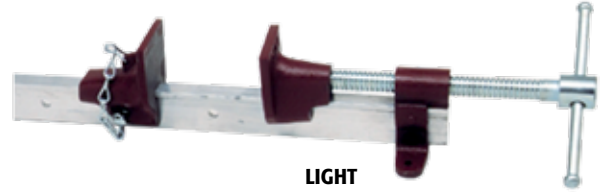
T-BAR (SASH) CRAMPS - SUPER GRADE - UNBREAKABLE JAWS - ALUMINIUM T-BAR



These cramps are Australian Made and are primarily designed for the cramping of large section work pieces for joint gluing and general applications. Used by carpenters, builders and cabinet makers. The jaws and nuts are made from ductile iron and the Acme threaded screw and handle are high quality corrosion resistant steel. The sliding jaw is fastened to T-bar by inserting a steel pin through one of the locating holes along the bar. The T-bar sections are specially heat-treated Aluminium for strength and will resist twisting and distortion. The fixed jaw comes with drilled feet for fixing to a work bench. The **heavy section** cramp is more robust and is suitable for heavy-duty work.



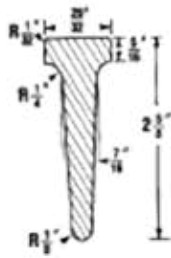
HEAVY



LIGHT

HEAVY SECTION CRAMPS

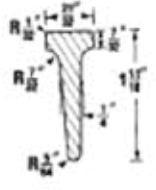
PART NO.	SIZE JAW OPENING MM	TYPE	WEIGHT KGS
61230	750	HEAVY SECTION	5.0
61231	1000	HEAVY SECTION	5.5
61232	1250	HEAVY SECTION	6.0
61233	1500	HEAVY SECTION	6.5
61234	1750	HEAVY SECTION	7.0
61235	2000	HEAVY SECTION	7.5
61237	2500	HEAVY SECTION	8.5
61238	3000	LIGHT SECTION	9.0
61239	3500	LIGHT SECTION	9.5



HEAVY SECTION

LIGHT SECTION CRAMPS

PART NO.	SIZE JAW OPENING MM	TYPE	WEIGHT KGS
61213	750	LIGHT SECTION	2.6
61214	1000	LIGHT SECTION	2.8
61215	1250	LIGHT SECTION	3.0
61216	1500	LIGHT SECTION	3.2
61217	1750	LIGHT SECTION	3.4
61218	2000	LIGHT SECTION	3.6
61220	2500	LIGHT SECTION	4.0
61221	3000	LIGHT SECTION	4.4
61222	3500	LIGHT SECTION	4.8



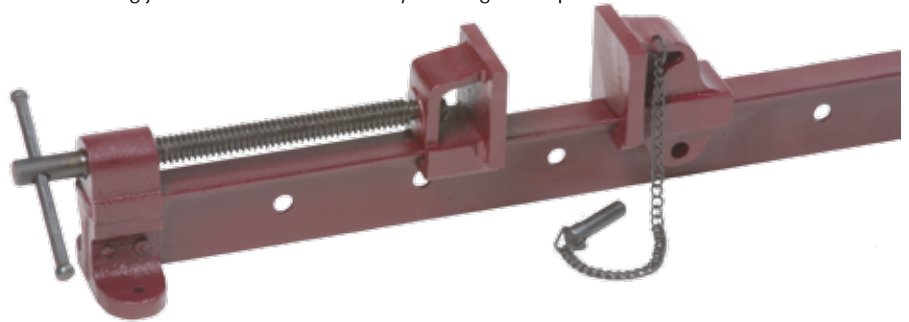
LIGHT SECTION

T-BAR (SASH) CRAMPS - STEEL T-BAR

The T-bar section is made from special cold drawn steel (25mm x 5mm) which offers great resilience to bending. Malleable iron head and slide allow these cramps to be used for extra heavy duty applications. The cramp can be permanently fixed to the workbench. The main screw has rolled Acme thread for smooth movement and is blackened for increased resistance to corrosion. The sliding jaw is fastened to the T-bar by inserting a steel pin.

T-BAR (SASH) CRAMPS - STEEL

PART NO.	SIZE JAW OPENING MM	WEIGHT KGS
61615	750	4.0
61616	1050	4.7
61617	1350	4.9
61618	1650	5.2
61611	2000	5.9
61612	2500	6.5



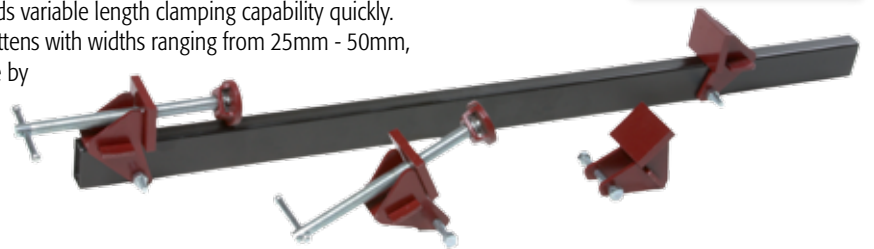
BUILD A CRAMP KIT - ADJUSTABLE, FABRICATED



Extremely versatile and practical tool for the tradesman who needs variable length clamping capability quickly. The cramp can be used with rectangular steel tubes or timber battens with widths ranging from 25mm - 50mm, with minimum height of 50mm. Infinite adjustments are possible by drilling 10mm diameter holes for the sliding jaw pin. Robust construction, extra length and thickness screw - throw it in the wagon, ute or tool box and have the ability to build a cramp to any length at any time. Australian designed and made.

PART NO. WEIGHT KGS

61250F 1.5

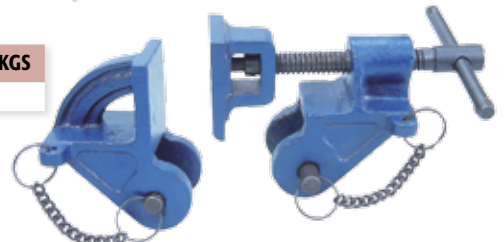


BUILD-A-CRAMP KIT

A low cost alternative to the full size T-Bar or Sash bar cramps. A bar cramp of any length can be made using a length of timber batten or rectangular steel tube 25mm thick by 50mm high (minimum). Infinite adjustments are possible by drilling 10mm diameter holes for the sliding jaw pin. The heads are made from malleable iron, the screw, handle and pin are from high quality steel for hard wearing long life.

PART NO. WEIGHT KGS

61630 1.4



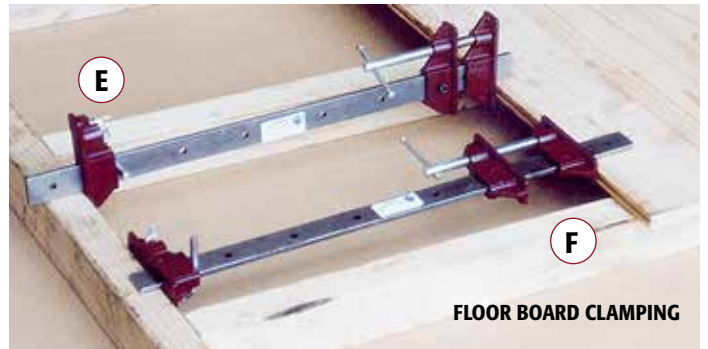
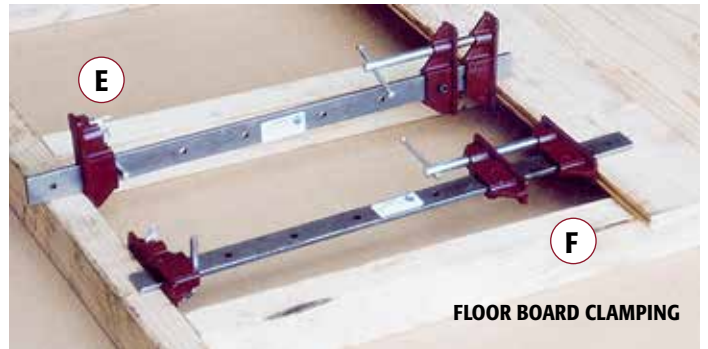
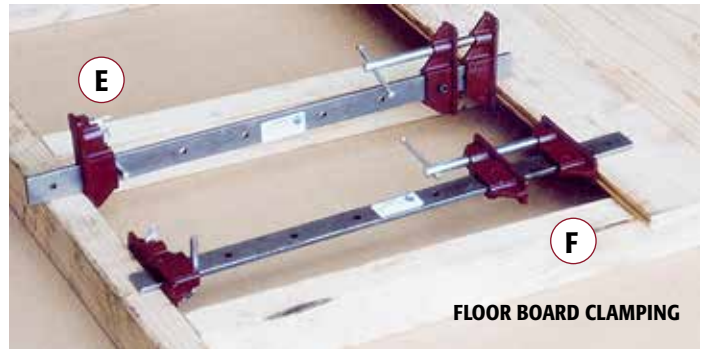
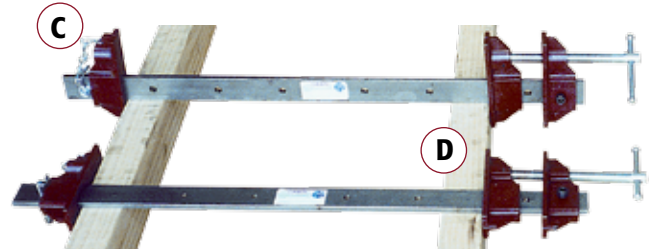
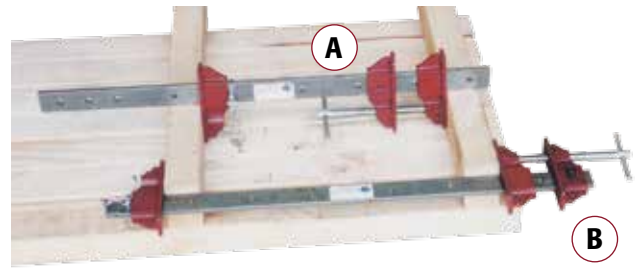
DUAL ACTION SASH CLAMPS



The new dual action sash clamps are designed and manufactured in Australia. Unlike other brands in the market, these DAWN clamps come with several unique features which would delight every woodworker.

Features and Benefits

- Jaws can be reversed to enable the clamp to be used as a clamp (B) or a spreader (A)
- Extra jaw depth enables clamping (C) or spreading (E) underneath the bar
- Extra jaw width enables clamping (D) or spreading (F) on the side edge of the jaw
- Spring loaded ball in securing pin prevents it from accidentally sliding out from the steel bar
- Jaws are made from unbreakable super tough ductile (S.G.) iron
- Flat bar manufactured from premium quality steel to ensure longer life.



DUAL ACTION SASH CLAMPS

PART NO.	SIZE JAW OPENING MM	BAR LENGTH MM
61241	460	610
61242	610	760
61243	760	915
61244	915	1070
61245	1070	1220
61246	1220	1370
61247	1370	1680
61248	1680	1810



SPRING LOADED BALL IN PIN

FLOOR BOARD CLAMPING

STEEL BAR BENDERS - MANUAL



1. TRENCH MESH BENDERS Part No. 64101

- Australian designed and made for bending reinforcement trench mesh to any angle or profile
- Ideal for 2, 3 or 4 bar reinforcement mesh bending up to 18mm diameter bar
- Sturdy, robust construction
- Simple to Use.

2. REO STEEL BAR BENDERS Part No. 64102

- Australian designed and made for bending reinforcement bars to any angle or shape
- Bends up to 18mm diameter bar
- Sturdy, robust construction
- Simple to Use.



TRENCH MESH BENDER



REO STEEL BAR BENDER

DAWN HOLD DOWN TABLE CLAMP - 125MM



- Made from Ductile Iron
- Heavy ribbed frame for strength and durability
- Whitworth thread for fine adjustment
- Rotates 360 degrees around the holding bolt
- Zinc plated corrosion resistant screw and swivel pad to accommodate uneven surfaces
- Ideal for woodworking and metalwork, milling, routing, machining, drilling workbench jigg applications where positive strong and secure clamping is required
- Distinct advantage over conventional clamps and vices which function only near the edge of a workbench or table.



HOLD DOWN TABLE CLAMP

PART NO.	DESCRIPTION	HOLD DOWN HEIGHT MM	THROAT DEPTH MM	WEIGHT KGS	FRAME PROOF LOAD KGS
51125	HOLD DOWN CLAMP-125MM	125	60 - 125	2.75	1200

'G'- CLAMPS - SUPER GRADE - UNBREAKABLE



DAWN G-Clamps are cast in ductile iron and are unbreakable. They have heavy ribbed frame for strength and durability. This popular type has high quality zinc plated Whitworth threaded screw with swivel button. The swivel button enables the user to apply pressure evenly on angular workpieces. For metal, woodworking and general use.



G-CLAMPS SUPER GRADE

PART NO.	SIZE JAW OPENING MM	TYPE	THROAT DEPTH MM	WEIGHT KGS	FRAME PROOF LOAD KGS
61152	75	SUPER-GRADE	45	0.6	500
61153	100	SUPER-GRADE	50	1.0	750
61155	150	SUPER-GRADE	70	2.0	1100
61156	200	SUPER-GRADE	85	3.3	1300
61157	250	SUPER-GRADE	95	3.9	1750
61158	300	SUPER-GRADE	100	4.3	2100

'G'- CLAMPS - FORGED - ULTRA STRONG



Ultra strong drop forged steel clamp whose slim section permits use in confined spaces. Ideally suited to heavy engineering, including metal fabrication and welding. Painted Blue.



G-CLAMPS FORGED

PART NO.	SIZE JAW OPENING MM	TYPE	THROAT DEPTH MM	WEIGHT KGS	FRAME PROOF LOAD KGS
61166	75	FORGED STEEL	50	0.5	2050
61167	100	FORGED STEEL	60	0.7	2350
61168	150	FORGED STEEL	75	1.6	3600
61169	200	FORGED STEEL	85	3.4	5750

ONE HANDED 'G' CLAMPS

This unique one Hand G Clamp leaves one hand free to hold items being clamped whilst the other operates the clamp by means of a special knurled nut.

- 'I' beam frame section ensures maximum frame loading and resistance to twisting
- Two start rolled thread for quick clamping
- Square frame for maximum clamp usage



G-CLAMPS ONE HANDED

PART NO.	SIZE JAW OPENING MM	THROAT DEPTH MM	WEIGHT KGS
DW73040	100	65	1.0
DW73060	150	80	1.5
DW73080	200	90	2.2

STAINLESS STEEL 'G' CLAMPS - 316 MARINE GRADE



- Made from Marine Grade 316 Stainless Steel
- Corrosion Resistant and Non Magnetic
- High quality Whitworth thread
- Swivel pad applies pressure evenly on angular work pieces
- Ideal in marine and specialist chemical environments

STAINLESS STEEL G -CLAMPS

PART NO.	SIZE JAW OPENING MM	TYPE	THROAT DEPTH MM	WEIGHT KGS
61152-FSS	75	FABRICATED	45	0.5
61153-FSS	100	FABRICATED	50	0.9
61155-FSS	150	FABRICATED	70	1.9

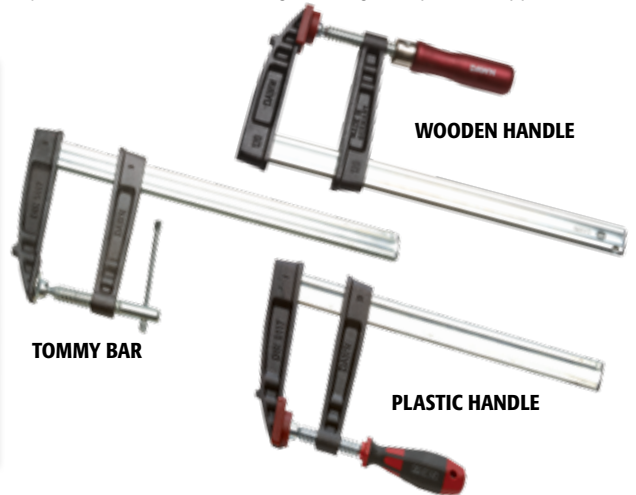


DAWN QUICK ACTION CLAMPS

- Heavy ribbed malleable cast jaws with plastic caps to protect work surfaces
- Acme threaded, galvanised screw for corrosion resistance
- Swivel pad to allow for uneven surfaces
- Galvanised steel bar serrated on 3 edges for maximum grip and slip proof
- Large plastic handle ergonomically designed for maximum comfort and increased clamping force
- Clamping pressure up to **5000N**
- Optional Tommy Bar Handle for extra leverage and high temperature applications.

QUICK ACTION CLAMPS

PART NO. WITH (PLASTIC HANDLE)	PART NO. WITH (TOMMY BAR HANDLE)	PART NO. WITH (WOODEN HANDLE)	JAW OPENING (SIZE) MM	THROAT DEPTH MM	BAR MM	WT KGS
61173	61173-T	61173-W	150	80	25 x 6	0.8
61174	61174-T	61174-W	200	100	30 x 8	1.3
61175	61175-T	61175-W	250	120	30 x 8	1.5
61176	61176-T	61176-W	300	120	30 x 8	1.6
61177	61177-T	61177-W	400	120	30 x 8	1.8
61178	61178-T	61178-W	500	120	30 x 8	2.0
61179	61179-T	61179-W	600	120	30 x 8	2.2
61180	61180-T	61180-W	800	120	30 x 8	2.6
61181	61181-T	61181-W	1000	120	30 x 8	2.9
61182	61182-T	61182-W	1250	120	30 x 8	3.4
61183	61183-T	61183-W	1500	120	30 x 8	3.9
61184	61184-T	61184-W	2000	120	30 x 8	4.9



**DAWN ALL STEEL GENERAL
PURPOSE METAL WORK
CLAMPS**

- Hardened and heat treated steel bar, zinc plated
- Tested for strength and will exert **7000N** pressure
- Acme threaded black oxide spindle with T-handle
- Swivel pad to allow for uneven surfaces
- General welding and engineering applications, and high temperature applications.

ALL STEEL GENERAL PURPOSE METAL WORKING CLAMPS

PART NO. WITH	JAW OPENING (SIZE) MM	THROAT DEPTH MM	BAR MM	WT KGS
43113	160	80	16 x 7.5	0.5
43114	200	100	19.5 x 9.5	0.9
43115	250	120	22 x 10.5	1.3
43116	300	140	25 x 12	1.6
43117	400	120	25 x 12	1.9
43118	500	120	25 x 12	2.2
43119	600	120	25 x 12	2.4
43120	800	120	27 x 13	3.3
43121	1000	120	27 x 13	3.8
43122	1250	120	27 x 13	4.4
43123	1500	120	27 x 13	5.0

DAWN ALL STEEL FITTER'S CLAMPS

- Strong, zinc plated, hardened and spring tempered steel bar
- Tested for strength and will exert **12000N** pressure
- Acme threaded black oxide spindle with T-handle
- Hexagonal spindle end allows for additional clamping force with torque wrench
- One piece hardened swivel pad for smooth pivoting to 35°
- Suited for medium duty welding and engineering.

ALL STEEL FITTER'S CLAMPS

PART NO. WITH	JAW OPENING (SIZE) MM	THROAT DEPTH MM	BAR MM	WT KGS
43224	250	120	30 x 15	2.8
43225	300	140	30 x 15	3.1
43226	500	140	30 x 15	3.7
43227	800	140	30 x 15	4.7
43228	1000	120	30 x 15	5.2
43229	1250	120	30 x 15	6.0



DAWN ALL STEEL FITTER'S CLAMPS - HEAVY DUTY

- Extremely strong, zinc plated, hardened and spring tempered steel bar
- Severely tested for strength and will exert **22000N** pressure
- Acme threaded black oxide spindle with T-handle
- Hexagonal spindle end allows for additional clamping force with torque wrench
- One piece hardened swivel pad for smooth pivoting to 35°
- Suited for heavy duty engineering applications for maximum safety and strength.

ALL STEEL FITTER'S CLAMPS - HEAVY DUTY

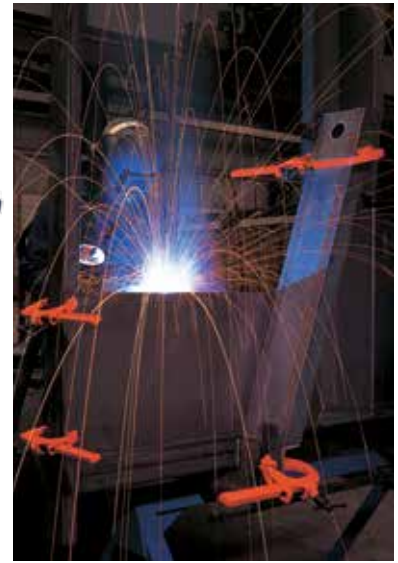
PART NO. WITH	JAW OPENING (SIZE) MM	THROAT DEPTH MM	BAR MM	WT KGS
43330	300	175	40 x 20	5.5
43331	400	175	40 x 20	6.2
43332	500	175	40 x 20	6.7
43333	600	175	40 x 20	7.3
43334	800	175	40 x 20	8.4
43335	1000	175	40 x 20	9.6

DAWN / CARVER RACK CLAMPS

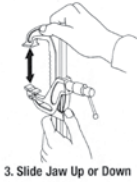
Made in UK

CARVER CLAMPS

These clamps, which consist of a frame and movable jaw, are sturdier than other "C"- clamp designs. Made from high-tensile, heat-treated steel. They hold work securely by two jaws, not a single jaw and a screw. Spring loaded jaw stays in position when pressure is removed. Jaw tilts to securely clamp angled surfaces. Tightening screw is shielded and positioned away from the work for protection from weld spatter and debris. For added versatility, the clamps can be used for spreading or locating, as well as for squeezing.



	PART NO.	MODEL	CLAMPING NO.	FORCE (daN)	JAW OPENING MM	THROAT DEPTH MM	OVERALL LENGTH MM	WEIGHT KG
Standard Duty	301003	T186 - 150	1130	150	60	245	1.4	
	301005	T186 - 300	1130	300	60	395	1.8	
	301009	T186 - 500	1130	500	60	640	2.5	
	301012	T186 - 750	1130	750	60	890	3.2	
Standard Duty Long Reach	301101	T321 - 250	565	250	120	360	2.0	
	301313	T321 - 600	565	600	120	715	3.5	
Medium Duty	301046	T290 - 225	1800	225	90	420	5.5	
	301049	T290 - 450	1800	450	90	655	7.0	
	301052	T290 - 750	1800	750	90	959	8.5	
	301055	T290 - 1000	1800	1000	90	1216	10.5	
Medium Duty Long Reach	301035	T285 - 225	900	225	200	420	7.1	
	301037	T285 - 450	900	450	200	655	8.5	
	301039	T285 - 750	900	750	200	959	10.0	
	301055	T285 - 1000	900	1000	200	1216	11.5	
Heavy Duty	301172	T257 - 150	2700	150	115	403	9.8	
	301173	T257 - 300	2700	300	115	555	10.9	
	301174	T257 - 450	2700	450	115	710	12.2	
	301175	T257 - 600	2700	600	115	850	13.1	
	301176	T257 - 900	2700	900	115	1165	15.8	
	301177	T257 - 1350	2700	1350	115	1615	19.1	



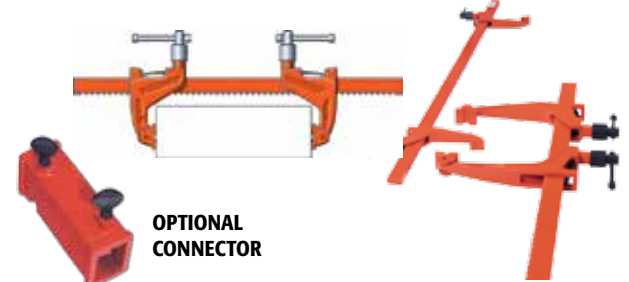
1. Loosen Screw 2. Push in Jaw Base 3. Slide Jaw Up or Down 4. Tighten Screw

DAWN / CARVER BAR CLAMPS

Made in UK

These rugged clamps have the same features and benefits of the rack clamps and are designed for all types of applications requiring large holding capacities and jaw width. Highly versatile - jaws can be reversed to provide spreading action, or several jaws can be used on a single bar both for fixturing and positive component location and clamping. In addition, standard and medium-duty connectors are available to couple like bars together for increased clamping reaches.

	PART NO.	MODEL	CLAMPING NO.	FORCE (daN)	JAW OPENING MM	THROAT DEPTH MM	OVERALL LENGTH MM	WEIGHT KG
Standard Duty	301179	T186 - 600	1130	600	60	710	3.4	
	301180	T186 - 900	1130	900	60	1020	4.4	
	301182	T186 - 1500	1130	1500	60	1625	5.8	
	301184	T186 - 2100	1130	2100	60	2235	7.6	
	301185	T186 - 2400	1130	2400	60	2540	8.8	
Standard Duty Long Reach	301187	T321 - 600	565	600	120	710	3.5	
	301188	T321 - 900	565	900	120	1020	4.5	
	301190	T321 - 1500	565	1500	120	1625	5.9	
	301192	T321 - 2100	565	2100	120	2235	7.7	
Medium Duty	301193	T321 - 2400	565	2400	120	2540	8.9	
	301195	T290 - 900	1800	900	90	1070	10.5	
	301196	T290 - 1200	1800	1200	90	1390	12.1	
	301197	T290 - 1500	1800	1500	90	1690	14.0	
Medium Duty Long Reach	301199	T290 - 2100	1800	2100	90	2290	18.0	
	301203	T285 - 900	900	900	200	1070	11.5	
	301204	T285 - 1200	900	1200	200	1390	13.0	
	301205	T285 - 1500	900	1500	200	1690	15.0	
Heavy Duty	301207	T285 - 2100	900	2100	200	2290	19.0	
	301210	T257 - 2100	2700	2100	115	2335	27.2	
	301212	T257 - 2700	2700	2700	115	2945	32.0	



OPTIONAL CONNECTOR



DAWN / CARVER T-SLOT CLAMPS

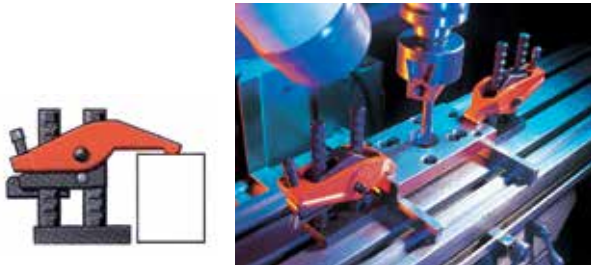


These patented clamps, designed with a single-unit clamp head and base, apply 100% of the screw force directly onto the workpiece. They also reduce setup times by up to 80%, since clamping height is adjusted simply by loosening the adjusting screw, releasing the safety catch, and lifting the clamp head. These clamps can be used at any angle. Holds work securely on many machines including planers, millers, lathes, power presses, drills etc.



**CARVER
CLAMPS**

	PART NO.	MODEL NO.	CLAMPING FORCE daN	CLAMPING HEIGHT RANGE MM	WEIGHT KG	REACH MM	FIXING BOLT DIAM. MM
STANDARD DUTY	301213	T400 - 100	2270	25 - 100	2.3	19 or 35 (with base reversed)	M12
	301227	T400 - 150	2270	25 - 150	2.5		
	301228	T400 - 200	2270	62 - 200	2.6		
STANDARD DUTY LONG REACH	301214	T600 - 100	1600	12 - 100	2.7	57 or 73 (with base reversed)	M12
	301215	T600 - 150	1600	12 - 150	2.9		
	301216	T600 - 200	1600	50 - 200	3.0		
HEAVY DUTY	301217	T402 - 150	3630	0 - 150	6.3	44 or 66 (with base reversed)	M16
	301218	T402 - 300	3630	0 - 300	8.0		
	301219	T402 - 450	3630	150 - 450	8.8		
	301220	T402 - 600	3630	300 - 600	10.0		
	301221	T402 - 750	3630	450 - 750	11.7		
	301222	T402 - 900	3630	600 - 900	13.0		
	301223	T402 - 1050	3630	750 - 1050	14.5		
	301224	T402 - 1200	3630	900 - 1200	15.7		
	301225	T402 - 1350	3630	1050 - 1350	16.7		
	301226	T402 - 1500	3630	1200 - 1500	18.5		
HEAVY DUTY LONG REACH	301229	T602 - 150	2500	0 - 150	7.3	95 or 117 (with base reversed)	M16
	301230	T602 - 300	2500	0 - 300	9.0		
	301231	T602 - 450	2500	150 - 450	9.8		
	301232	T602 - 600	2500	300 - 600	11.0		
	301233	T602 - 750	2500	450 - 750	12.7		
	301234	T602 - 900	2500	600 - 900	14.0		
	301235	T602 - 1050	2500	750 - 1050	15.5		
	301236	T602 - 1200	2500	900 - 1200	16.7		
	301237	T602 - 1350	2500	1050 - 1350	17.7		
	301238	T602 - 1500	2500	1200 - 1500	19.5		

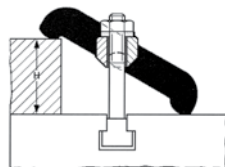


DAWN / CARVER MACHINE VICES (EDGE GRIP CLAMPS)



Heavy duty vices enable the full length of machine bed to be used. Operates in two planes: horizontal-jaws tighten on work, vertical-jaw brings work firmly down onto machine table. Low-profile gives maximum cutter access. Rotatable fixing bosses allow 360° movement for accurate alignment. Easily adjusted with two hex keys. Ideal for milling, planing and grinding operations that can't be handled by ordinary machine vices.

	PART NO.	MODEL NO.	HORIZONTAL CLAMPING FORCE daN	DOWNWARD FORCE daN	JAW HEIGHT MM	FIXING BOLTS MM	WEIGHT KG
LOW PROFILE	301150	T500	2250	900	27	M12	3.8
HEAVY DUTY	301153	T550	4500	1800	70	M16 OR M20	24.0



DAWN / CARVER BUTTRESS CLAMPS

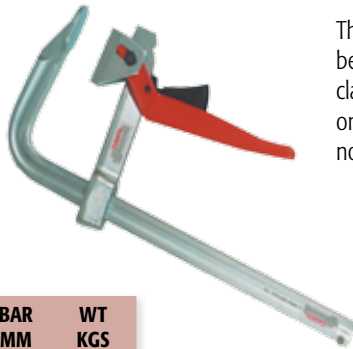


The Dawn/Carver Buttress-Style clamps are ideal for holding thin or low-profile workpieces up to 75mm thick. The clamps feature a self-aligning swivelling pivot which allows the tightening bolt to always remain vertical, preventing any side forces. H-shaped head's 4 point contact resists tendency for workpiece to rotate. Ideally suited for power presses and manual die clamping. Eliminates the need for step or riser blocks.

	PART NO.	MODEL NO.	CLAMPING FORCE daN	WORKING HEIGHT MM	FIXING BOLT DIAM. MM	CLAMP WEIGHT KG
STANDARD DUTY	301160	T614 - 0	1300	45	M12	0.6
MEDIUM DUTY	301161	T614 - 1	6250	57	M16 OR M20	2.7
HEAVY DUTY	301162	T614 - 2	8000	75	M24	4.3

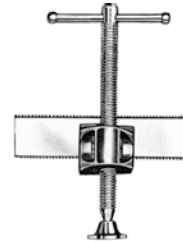
DAWN ALL STEEL LEVER CLAMPS

- Designed for fast, safe and easy operation and will exert high pressure of **7000N**
- Steel bar, clamping arm and pressure pad are hardened, heat treated and zinc plated
- Ergonomically designed handle and release lever • Wear resistant ratchet prevents self loosening even under vibration.



EDGING ATTACHMENT

The optional edging attachment can be used on any sized quick action clamp. For clamping edging strips on straight or curved work where normal clamps cannot be used.



PART NO.
61185



ALL STEEL LEVER CLAMPS

PART NO. WITH JAW OPENING (SIZE) MM	THROAT DEPTH MM	BAR MM	WT KGS	
43330	300	175	40 x 20	5.5
43331	400	175	40 x 20	6.2
43332	500	175	40 x 20	6.7
43333	600	175	40 x 20	7.3
43334	800	175	40 x 20	8.4
43335	1000	175	40 x 20	9.6

DAWN RAPID DUAL ACTION BAR CLAMP

- Revolutionary design - fast and easy to operate • Multiple uses include clamping, holding and spreading • Pistol grip one handed operation solves the major clamping problem of not having enough hands for the job by freeing one hand to position the work • One finger unlocks the quick release trigger • Quick change to a Spreader – unique button release mechanism allows top jaw to be easily removed and attached to the opposite end of bar to create spreader jaws • Full-depth cushioned pads provide protection against marring of work surfaces • Ergonomic handles provide maximum comfort • High tech nylon / fibreglass body is very sturdy and temperature resistant
- Strong carbon steel bar, heat treated and coated with black oxide to prevent rusting • Converts to a Decking Clamp – Jaw adapter (Part No. 61140DJP) available to convert these clamps easily to Decking Clamps.



DAWN RAPID DUAL ACTION BAR CLAMP

PART NO.	DESCRIPTION	JAW OPENING MM	SPREADING CAPACITY MM	THROAT DEPTH MM	CLAMPING PRESSURE KGS
61110	RAPID DUAL ACTION BAR CLAMP 150MM	150	165 - 355	87	180
61112	RAPID DUAL ACTION BAR CLAMP 300MM	300	165 - 510	87	180
61114	RAPID DUAL ACTION BAR CLAMP 450MM	450	165 - 660	87	180
61116	RAPID DUAL ACTION BAR CLAMP 600MM	600	165 - 815	87	180
61118	RAPID DUAL ACTION BAR CLAMP 900MM	900	165 - 1120	87	180
61140JP	REPLACEMENT END JAW WITH PAD TO SUIT 61110, 61112, 61114, 61116, 61118				



DAWN RAPID DUAL ACTION DECKING CLAMP

- Strongest floor clamp in this class - 180 kg clamping pressure • The only Decking clamp of it's kind - World wide patent protected • Suits 18mm to 25mm decking boards • 600 mm reach • Grip squeeze to apply pressure, with quick release trigger
- This revolutionary clamp will engage the 3mm steel plate into the gap between the boards and then grab from the full front face of the next board to be fixed
- Gap setting – the minimum gap for the tongue end of the clamp is 3mm. This gap may vary up to 6mm on some decking job and will not effect the performance of the clam • The one handed quick set and quick release makes this an outstanding and necessary tool for Decking.

PART NO.
61140 DJP

PART NO.
61140 JP



DAWN RAPID DUAL ACTION DECKING CLAMP

PART NO.	DESCRIPTION	JAW OPENING MM	SPREADING CAPACITY MM	THROAT DEPTH MM	CLAMPING PRESSURE KGS
61140	RAPID DUAL ACTION DECKING CLAMP 600MM	600	165 - 815	87	180
61140DJP	JAW ADAPTER TO CONVERT RAPID DUAL ACTION BAR CLAMP (ALL SIZES) TO A DECKING CLAMP				



DAWN QUICK GEAR CLAMP

- The distinctive design of this clamp allows for rapid action clamping
- The ratcheting handle applies maximum pressure to the work piece
- The ratchet and lever mechanism means that just a small effort produces a large amount of clamping pressure
- This rugged clamp can be used for both wood working and metal working applications
- Handy quick release button releases the clamp instantly
- With a quick push on the “power bar” the gear clamp develops up to 275kgs of clamping force
- Strong carbon steel bar, heat treated and coated with black oxide to prevent rusting
- The body is a sturdy construction of die cast Aluminium Alloy / Steel
- The jaw comes with a soft jaw pad for wood working applications, which can be removed for welding applications.



DAWN QUICK GEAR CLAMPS

PART NO.	DESCRIPTION	JAW OPENING MAX MM	THROAT DEPTH MM	CLAMPING PRESSURE KGS
61120	QUICK GEAR CLAMP 100MM	100	85	275
61122	QUICK GEAR CLAMP 200MM	200	85	275
61124	QUICK GEAR CLAMP 300MM	300	85	275

DAWN QUICK LEVER CLAMP

- World wide patent protected
- This new Lever Clamp has a unique design and a powerful lever handle that makes it easy to put the clamping force where you want it
- Durable cam type teeth gives incremental and consistent clamping pressure 180 kgs
- The quick release button makes this clamp as fast to remove as it is to apply
- The top mounted ergonomic Thermoplastic Rubber (TPR) soft grip handle makes the clamp provide maximum clamping force in one quick movement
- The jaws come with cushion grip pads to protect the work pieces
- High tech nylon / fibreglass body is very sturdy and temperature resistant
- Strong carbon steel bar, heat treated and coated with black oxide to prevent rusting.



DAWN QUICK LEVER CLAMPS

PART NO.	DESCRIPTION	JAW OPENING MAX MM	THROAT DEPTH MM	CLAMPING PRESSURE KGS
61130	QUICK LEVER CLAMP 150MM	150	80	180
61132	QUICK LEVER CLAMP 300MM	300	80	180
61134	QUICK LEVER CLAMP 450MM	450	80	180

DAWN MANUAL POWER CLAMP

DAWN MANUAL POWER CLAMPS

PART NO.	DESCRIPTION	JAW OPENING MAX MM	THROAT DEPTH MM	CLAMPING PRESSURE KGS
63300	MANUAL POWER CLAMP 38MM	38	40	25
63302	MANUAL POWER CLAMP 58MM	58	60	35
63304	MANUAL POWER CLAMP 100MM	100	90	35

- Comfortable non-slip TPR grips
- Progressive pressure adjusting power clamp
- Swivelling jaws to hold a variety of shapes
- Easy one finger pressure release
- Soft jaws to protect work pieces
- High tech nylon / fibreglass body is very sturdy and temperature resistant.



DAWN PLASTIC SPRING CLAMPS

DAWN PLASTIC SPRING CLAMPS

PART NO.	DESCRIPTION	JAW OPENING MAX MM	THROAT DEPTH MM	CLAMPING PRESSURE KGS
63096	PLASTIC SPRING CLAMP 19MM	19	30	8
63097	PLASTIC SPRING CLAMP 25MM	25	38	10
63098	PLASTIC SPRING CLAMP 50MM	50	58	13
63099	PLASTIC SPRING CLAMP 75MM	75	72	15

- High tech nylon / fibreglass body is very sturdy and temperature resistant
- Ergonomic anti-slip grips
- Swivelling jaws to hold a variety of shapes
- Soft jaws to protect work pieces
- Heavy duty tempered steel spring for longer life
- Spring design ensures substantial grip at jaw tip.



DAWN STEEL SPRING CLAMPS

DAWN STEEL SPRING CLAMPS

PART NO.	DESCRIPTION	JAW OPENING MAX MM	THROAT DEPTH MM	CLAMPING PRESSURE KGS
14900	STEEL SPRING CLAMP 25MM	25	35	20
14901	STEEL SPRING CLAMP 50MM	50	58	25
14903	STEEL SPRING CLAMP 75MM	75	85	30

- Ideal for industrial applications
- Nickel plated to resist corrosion
- Protective polyvinyl sleeves on handles and jaw tips
- Ergonomic grips ensure comfort over prolonged use
- Heavy duty tempered steel spring for longer life
- Spring design ensures substantial grip at jaw tip.



Quality craftsmanship for 100 years



**MADE AUSSIE
TOUGH!**

PRY BARS



PRY BARS	34
SAFETY HAND GUARD	35
WELD WHACKERS	36
HOOK & PICK SET	36
CARBON SCRAPER	36
UTILITY PRY BAR SET	37
DECK WRECKER	37
RIPPING CHISELS	38
WRECKING BARS	38

PRY BARS with a difference

The DAWN pry bars are available in screwdriver, aligning or rolling head (lady foot) style. They are:

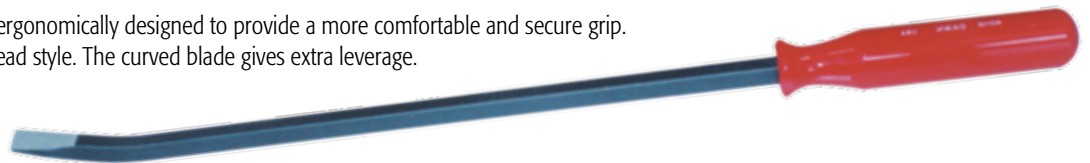
- Forged from the highest quality alloy and carbon steel.
- Full shank heat treated for maximum strength and durability.
- Finished in black oxide to resist corrosion.
- Conform to ANSI and ASTM for steel standards, physical properties and testing.

SCREWDRIVER TYPE PRY BARS



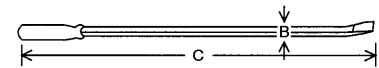
For prying and lifting

- The cellulose acetate plastic handle is ergonomically designed to provide a more comfortable and secure grip.
- Available in either straight or curved head style. The curved blade gives extra leverage.



SCREWDRIVER PRY BARS

PART NO.	DESCRIPTION (MM)	BODY SIZE (B) (MM)	LENGTH (C) (MM)	WEIGHT (KG)
40108	450 STRAIGHT	13	635	0.68
40113	600 STRAIGHT	13	785	0.91
40110	177 CURVED	10	300	0.15
40111	300 CURVED	10	430	0.24
40112	450 CURVED	10	635	0.68
40109	600 CURVED	13	785	0.91
61350	3 PIECE SET (40110, 40111 & 40112)			1.1



ALIGNING PRY BARS

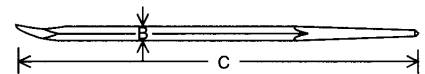


Designed with line up end for aligning, adjusting and manoeuvring metals or woods. Angled chisel end gives greater leverage when prying.



ALIGNING PRY BARS

PART NO.	DESCRIPTION (MM)	BODY SIZE (B) (MM)	LENGTH (C) (MM)	WEIGHT (KG)
40000	355 (14")	13	355	0.3
40001	405 (16")	16	405	0.6
40002	508 (20")	19	508	1.0
40003	610 (24")	19	610	1.3
75004	760 (30")	22	760	2.3
40023	1067 (42")	22	1067	3.3
40024	1524 (60")	25	1524	4.5



ROLLING HEAD (LADY FOOT) PRY BAR

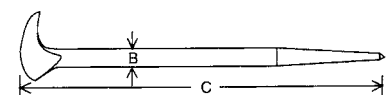


Ideal for accurate positioning work. The unique curved end enables better leverage in small confined areas. The opposite end is designed for aligning work.



ROLLING HEAD PRY BARS

PART NO.	DESCRIPTION (MM)	BODY SIZE (B) (MM)	LENGTH (C) (MM)	WEIGHT (KG)
40150	300 (7/16 x 12")	11	300	0.2
40152	400 (9/16 x 16")	14	400	0.5
40154	530 (11/16 x 21")	17	530	0.9
60150	3 PIECE SET (40150, 40152, 40154)			1.6



SAFETY: Always wear safety goggles when using Pry Bars



The Dominator

Go ahead and whack it...

DAWN DOMINATOR® PRY BARS CURVED SCREWDRIVER TYPE



Featuring the all-new steel capped end which allows the user to strike the pry bar with a hammer without damaging the head.

- Forged from the highest quality alloy and carbon steel.
- Hardened and tempered the entire length for maximum durability.
- Finished in black oxide to resist corrosion.
- Conform to ANSI and ASTM for steel standards, physical properties and testing.
- The curved blade gives extra leverage.
- Two composite handle is ergonomically designed for comfortable and secure grip.



PART NO.
40162

PART NO.
40164



PRY BAR SCREWDRIVER TYPE

PART NO.	DESCRIPTION	BODY SIZE MM	O.A.LENGTH MM	WEIGHT KG
60137	5-C DOMINATOR	8	250	0.21
40140	7-C DOMINATOR	10	305	0.32
40144	12-C DOMINATOR	10	432	0.40
40146	18-C DOMINATOR	13	635	0.87
40162	58-C DOMINATOR	19	1475	4.20
40164	44-C DOMINATOR	25	1120	4.50
61355	3 PIECE SET INCLUDES - 40140, 40144 & 40146			1.6



PART NO.
61355

DAWN SAFETY HAND GUARD

- Protects Dominator Prybar user's hand from impact forces, falling debris etc
- Easy to fit
- Unique, purpose built, polyurethane resin design for durability and comfort
- Dual pad for extra protection - lessens the transfer of impact forces to the hand



SAFETY HANDLE GUARD

PART NO.	TO SUIT DOMINATOR MODEL NO.
40146-SHG	40146
40162-SHG	40162
40164-SHG	40164



SAFETY: Always wear safety goggles when using Pry Bars

DAWN DOMINATOR® WELD WHACKERS

- New patented steel capped end allows the user to strike the handle without damaging the head
- Forged from the highest quality carbon steel
- Blade extends through out handle and is fully heat treated for maximum strength & durability
- Comfortable and secure grip
- Conform to ANSI and ASTM for steel standards, physical properties and testing.
- Ideal for breaking apart spot welds or bonded panels.
- Other uses and applications include removing gaskets, rust, paint, carbon build up and floor tiles
- Strikeable handle end cap and side edge of tool
- Patented, two-composite soft-grip handle with metal end cap for striking
- Unique two-sided cutting bevels
- Black oxide finish for additional rust protection.



WELD WHACKERS

PART NO.	DESCRIPTION	BODY SIZE SQ.	O.A.LENGTH MM	WEIGHT KG
42020	DOMINATOR WELD WHACKER 25MM	8MM	311	0.30
42021	DOMINATOR WELD WHACKER 32MM	8MM	387	0.55
60005	2 PIECE WELD WHACKER SET			0.90

DAWN DOMINATOR® HEAVY DUTY HOOK & PICK SET

- New patented steel capped end allows the user to strike the handle without damaging the head
- Forged from the highest quality carbon steel
- Blade extends throughout handle and is fully heat treated for maximum strength & durability
- Finished in black oxide to resist corrosion
- Two composite handle is ergonomically designed for comfortable and secure grip
- Conform to ANSI and ASTM for steel standards, physical properties and testing.
- Hook and removal tool ideal for use in multiple automotive and engineering applications.
- Ensures easy removal of 'O' rings, clips, cotter pins, seals, bushes, washers, nuts, springs etc. from tight areas.
- Move wires and hoses in the engine area.
- Scratch Awl can be used for aligning small holes, marking/scrubbing or as a sharp punch.



HEAVY DUTY HOOK & PICK SET

PART NO.	DESCRIPTION	BODY SIZE DIAM	O.A.LENGTH MM
42000	DOMINATOR HEAVY DUTY SCRATCH AWL	6MM	254
42001	DOMINATOR HEAVY DUTY 90 DEGREE HOOK	6MM	254
42002	DOMINATOR HEAVY DUTY CURVED HOOK	6MM	254
42003	DOMINATOR HEAVY DUTY COMPLEX HOOK	6MM	254
60000	4 PIECE DOMINATOR HOOK & PICK SET		

DOMINATOR® HEAVY DUTY CARBON SCRAPER

- Used for scraping carbon from cylinder heads, pistons and other metal surfaces
- Cleaning gasket material, adhesives and all general scraping in automotive and engineering applications.

HEAVY DUTY CARBON SCRAPER

PART NO.	DESCRIPTION	BODY SIZE SQ.	O.A.LENGTH MM
42004	DOMINATOR HEAVY DUTY CARBON SCRAPER 13 MM	8	254
42005	DOMINATOR HEAVY DUTY CARBON SCRAPER 19 MM	8	254
42006	DOMINATOR HEAVY DUTY CARBON SCRAPER 25 MM	8	254
42007	DOMINATOR HEAVY DUTY CARBON SCRAPER 38 MM	8	254
60001	4 PIECE DOMINATOR CARBON SCRAPER SET		



SAFETY: Always wear safety goggles when using Pry Bars

DAWN 4 PIECE UTILITY PRY BAR SET



- Complete set consisting of all the popular size and model pry bars
- Apprentices kits cater for all industries
- Ideal for workshops, tool boxes.



DAWN DOMINATOR PRY BAR



- Featuring the all steel capped end which allows the user to strike the pry bar with a hammer without damaging the head
- Forged from the highest quality alloy and carbon steel
- Finished in black oxide to resist corrosion
- The curved blade gives extra leverage.

ALIGNING PRY BAR



- Designed with line up end for aligning, adjusting and manoeuvring metals or woods
- Angled chisel end gives greater leverage when prying.

ROLLING HEAD (LADY FOOT) PRY BAR



- Ideal for accurate positioning work
- The unique curved end enables better leverage in small confined areas
- The opposite end is designed for aligning work.

MINI UTILITY BAR



- Ideal for the removal of nails from the hardest woods
- Specially designed head for removing the toughest nails with minimal damage to wood
- One end is a nail puller and the other a pry bar.

4 PIECE UTILITY PRY BAR SET

PART NO.	DESCRIPTION	BODY SIZE MM	O.A.LENGTH MM	WEIGHT KG
40001	ALIGNING PRY BAR (14") - 405MM	16	405	0.550
40152	ROLLING HEAD (LADY FOOT) PRY BAR - 400MM	14	400	0.478
40144	DOMINATOR PRY BAR 12C - 432MM	10	432	0.400
98602	MINI UTILITY BAR	21	190	0.120
76295	4 PIECE UTILITY PRY BAR SET		515	1.8

DAWN DECK WRECKER



The new Dawn Deck Wrecker is the unique tool designed for quick and easy deck removal and features the quality you have come to expect from DAWN.

APPLICATIONS:

This monster is designed for easy and quick removal of deck boards with minimum damage. Also removes nails and left behind screws with ease.

FEATURES AND BENEFITS

- All steel construction
- Unique, curved rocker design rolls on joist for easy board removal
- Removes Deck boards with less damage so they can be re-used
- Removes nails and screws
- Long handle for maximum leverage
- Foam handle grip for comfort
- Powder coat finish for corrosion resistance



DECK WRECKER

PART NO.	LENGTH MM	WIDTH MM	HEIGHT MM	WEIGHT KG
41104	1120	150	120	4.0

SAFETY: Always wear safety goggles when using Pry Bars

DAWN RIPPING CHISELS & WRECKING BARS



All the above items are:

- Forged from the highest quality carbon steel
- Finished in black oxide to resist corrosion
- Full shank heat treated for maximum strength & durability
- Conform to ANSI and ASTM for steel standards, physical properties and testing

RIPPING CHISELS

- Are available as single ended or double ended with bevelled nail slots.
- Comes with extra wide claw and cutting edge.
- Used for lifting, prying, removing nails.



SINGLE END

DOUBLE END

DOMINATOR HEAVY DUTY RIPPING CHISEL

RIPPING CHISELS

PART NO.	DESCRIPTION	BODY SIZE MM	O.A.LENGTH MM	WEIGHT KG
41200	RIPPING CHISEL SINGLE END	19	450	1.1
41201	RIPPING CHISEL DOUBLE END	19	450	1.1
41305	RIPPING CHISEL DOMINATOR HEAVY DUTY	19	762	2.2

WRECKING BARS - GOOSENECK



- Gooseneck end has a wide claw for prying & removing nails.
- Chisel end for lifting and prying.
- Ideal for opening boxes.



WRECKING BARS

PART NO.	DESCRIPTION	BODY SIZE MM	O.A.LENGTH MM	WEIGHT KG
41000	WRECKING BAR, GOOSENECK, 300 MM	13	300	0.4
41001	WRECKING BAR, GOOSENECK, 450 MM	16	450	0.9
41002	WRECKING BAR, GOOSENECK, 600 MM	19	600	1.5
41003	WRECKING BAR, GOOSENECK, 750 MM	19	750	1.8
41004	WRECKING BAR, GOOSENECK, 900 MM	19	900	2.1

SAFETY: Always wear safety goggles when using Pry Bars



VERTICAL HANDLE TOGGLE CLAMPS	40
HORIZONTAL HANDLE TOGGLE CLAMPS	40
SOLID HANDLE TOGGLE CLAMPS	41
PLUNGER TYPE HANDLE TOGGLE CLAMPS	41
TOGGLE CLAMPS ACCESSORIES	41
HOLD DOWN ACTION TOGGLE CLAMPS	42
STRAIGHT LINE CLAMPS	44
PLIER CLAMPS	46
SPECIAL CLAMPS	47
LATCH CLAMPS	48
JIG & FIXTURE CLAMPS	50

DAWN TOGGLE CLAMPS

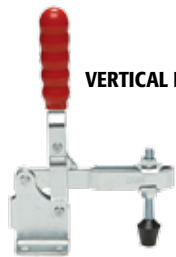
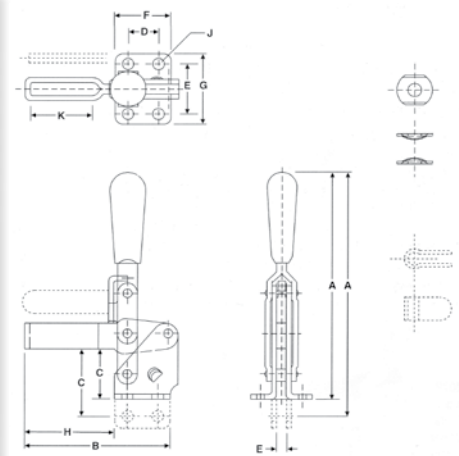
Toggle clamps are used for repetitive processes where a workpiece has to be held positively while manufacturing operations such as welding, drilling, tapping, milling etc are performed on it. Removal and insertion of parts is done quickly and easily. A single push or pull action on the handle holds or releases the work component instantaneously. Toggle clamps lock automatically and hold firmly, thus reducing operator fatigue. The pivot points are carefully calculated to yield maximum clamping pressure while achieving positive locking position. Die stamped steel parts are deburred, cleaned and zinc plated to resist corrosion. Heavy duty rivets are used to maintain accuracy and long life.

DAWN VERTICAL HANDLE, HOLDING DOWN ACTION TOGGLE CLAMPS

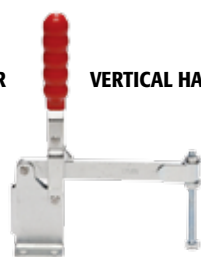
The 'U' shaped work holding bar allows lateral adjustment of hold-down spindle (refer accessories) along the holding bar or multiple clamping of work pieces. A bolt retainer (refer accessories) can be welded on to the solid holding bar at any angle to compensate for angular contact. 'T' handles are shorter and suitable for restricted space conditions. The handles are fitted with plastic safety grip. Dawn toggles include accessories (bolt, pad, bolt retainer, washers and nuts) unless stated otherwise.

VERTICAL ACTION TOGGLE CLAMPS

PART NO.	MODEL	TYPE	HOLDING WEIGHT CAPACITY	A	B	C	D	E	F	G	H	J DIAM.	K	SPINDLE SIZE
61251	SU-107-25	VERTICAL STRAIGHT HANDLE, U-BAR	400 KG	0.5 KG	206	113	36	32	44	51	62	62	8	37
61252	SU-107-35		375 KG	0.6 KG	225	138	55	32	44	51	62	87	8	63
61253	SU-107-50		350 KG	0.7 KG	246	176	75	32	44	51	62	125	8	100
61700	SU-105-40		280 KG	0.6 KG	195	141	42	32	45	48	65	93	8	61
61745	SU-107-15		110 KG	0.2 KG	98	70	23	13	27	26	39	43	5	24
61748	SU-107-20	170 KG	0.4 KG	143	91	32	19	35	32	45	56	6.5	33	M8
61749	SU-107-20L	170 KG	0.5 KG	143	127	32	19	35	32	45	95	6.5	76	M8
61256	SS-107-25	VERTICAL STRAIGHT HANDLE, SOLID BAR	400 KG	0.5 KG	206	113	36	30	44	51	62	62	8	-
61257	SS-107-35		375 KG	0.6 KG	225	138	55	30	44	51	62	87	8	-
61258	SS-107-50		350 KG	0.7 KG	246	176	75	30	44	51	62	125	8	-
61259	SS-104		545 KG	2.5 KG	345	276	110	50	73	76	100	200	11	-
61754	SS-107-20L		220 KG	0.5 KG	143	119	32	19	35	32	45	87	6.5	-
61262	TU-107-25	VERTICAL T HANDLE, U-BAR	400 KG	0.5 KG	153	113	36	32	44	51	62	62	8	37
61263	TU-107-35		375 KG	0.6 KG	172	138	55	32	44	51	62	87	8	63
61264	TU-107-50		350 KG	0.7 KG	193	176	75	32	44	51	62	125	8	100
61267	TS-107-25		400 KG	0.5 KG	153	113	36	32	44	51	62	62	8	37
61268	TS-107-35		375 KG	0.6 KG	172	138	55	32	44	51	62	87	8	63
61269	TS-107-50	350 KG	0.7 KG	193	176	75	32	44	51	62	125	8	100	



VERTICAL HANDLE U-BAR



VERTICAL HANDLE SOLID



T HANDLE U-BAR

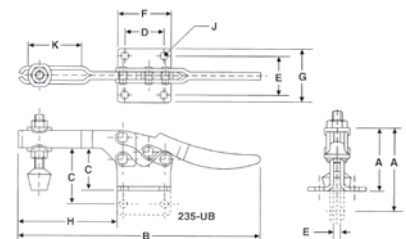


DAWN HORIZONTAL HANDLE, HOLDING DOWN ACTION TOGGLE CLAMPS

The horizontal handle gives increased overhead clearance.

HORIZONTAL ACTION TOGGLE CLAMPS

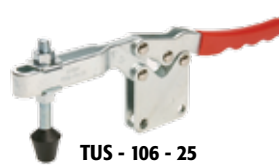
PART NO.	MODEL	BAR	BASE	HOLDING WEIGHT CAPACITY	A	B	C	D	E	F	G	H	J DIAM.	K	SPINDLE SIZE	
61266	TSF-106-20	SOLID	FLANGED	220 KG	0.3 KG	48	171	35	25	22	38	35	69	6.5	-	M8
61265	TSS-106-20	SOLID	STRAIGHT	220 KG	0.3 KG	60	171	35	25	6.4	38	-	69	6.5	-	M8
61770	TUF-106-20	U	FLANGED	220 KG	0.3 KG	48	171	35	25	22	38	35	69	6.5	36	M8
61771	TUS-106-20	U	STRAIGHT	220 KG	0.3 KG	60	171	35	25	6.4	38	-	69	6.5	36	M8
61291	TSF-106-25	SOLID	FLANGED	340 KG	0.7 KG	64	264	45	41	41	57	57	103	8	-	M10
61292	TSS-106-25	SOLID	STRAIGHT	340 KG	0.7 KG	86	264	59	41	8	57	-	103	8	-	M10
61293	TUF-106-25	U	FLANGED	340 KG	0.7 KG	64	264	45	41	41	57	57	103	8	60	M10
61294	TUS-106-25	U	STRAIGHT	340 KG	0.7 KG	86	264	59	41	8	57	-	103	8	60	M10



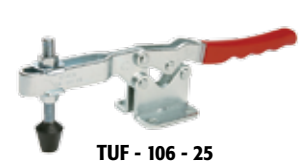
TSS - 106 - 20



TSF - 106 - 25



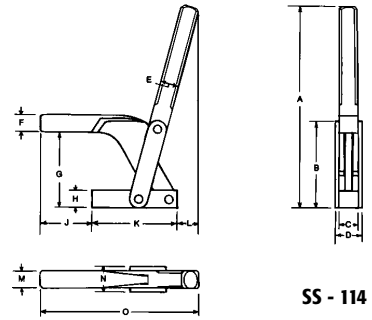
TUS - 106 - 25



TUF - 106 - 25

DAWN ANGULAR SOLID HANDLE, HORIZONTAL SOLID BAR, HOLDING DOWN ACTION TOGGLE CLAMPS

This clamp is suitable for most rugged production jobs and is designed for maximum opening to simplify jig loading. The holding bar is made from S.G. ductile iron which is unbreakable. The rounded steel handle provides comfort in use.



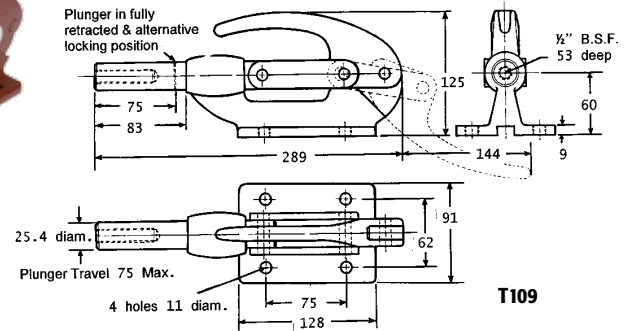
SS - 114

ANGULAR ACTION TOGGLE CLAMPS

PART NO.	MODEL	HOLDING PRESSURE KG	SIZE (MM) AT													WEIGHT KG	DUTY	
			A	B	C	D	E	F	G	H	J	K	L	M	N			O
61273	SS-114-25	675	191	100	19	28	19	19	75	19	61	87	16	19	28	116	1.1	HEAVY
61274	SS-114-35	945	269	136	25	30	25	25	112	25	90	112	19	25	35	219	2.8	E.HEAVY

DAWN PLUNGER TYPE: STRAIGHT LINE ACTION WITH PUSH /PULL LOCKING TOGGLE CLAMPS

The base and handle are made from S.G. ductile iron castings which is unbreakable. This clamp is designed for either 'push' or 'pull' operation. Clamp locks in both positions. Accessories can be attached to the plunger.



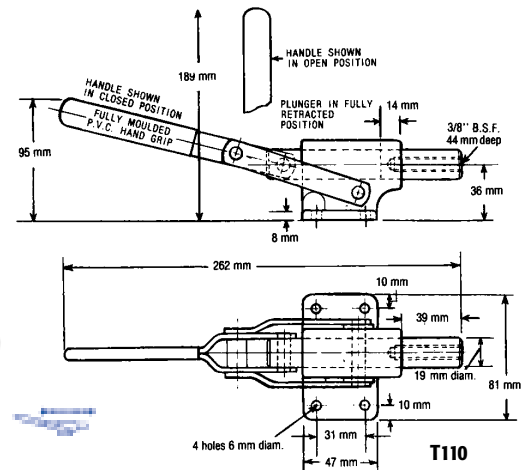
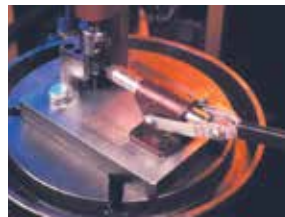
T109

DAWN PLUNGER TYPE PUSH/PULL TOGGLE CLAMPS

PART NO.	MODEL	PLUNGER STROKE MM	HOLDING PRESSURE KG	WEIGHT KG	DUTY
61283	T109	75	1800	2.5	E-HEAVY

DAWN PLUNGER TYPE: STRAIGHT LINE ACTION WITH PUSH LOCKING TOGGLE CLAMPS

This clamp is designed for direct 'push' locking and has a low overall height. Accessories can be attached to the plunger.



T110

DAWN PLUNGER TYPE PUSH TOGGLE CLAMPS

PART NO.	MODEL	PLUNGER STROKE MM	HOLDING PRESSURE KG	WEIGHT KG	DUTY
61282	T110	39	270	0.7	MEDIUM

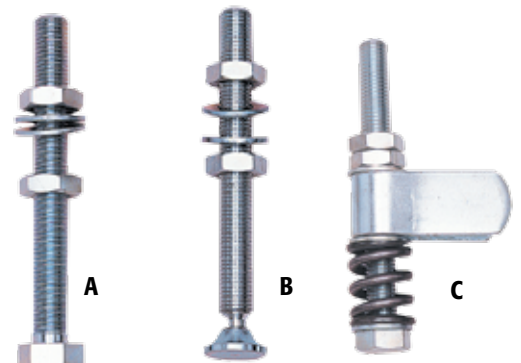
DAWN TOGGLE CLAMP ACCESSORIES



- A.** Adjustable spindle with fixed pad for 'U' shaped holding bar.
- B.** Adjustable spindle with swivel pad for 'U' shaped holding bar.
- C.** Weld on bolt retainer & spring loaded fixed pad assembly for attaching to solid holding bars.

TOGGLE CLAMP ACCESSORIES

PART NO.	MODEL	DESCRIPTION	LENGTH	THREAD
66201	3538FP	SPINDLE WITH FIXED PAD (A)	90	M10
66202	3538SF	SPINDLE WITH SWIVEL PAD (B)	90	M10
66203	3538SL	BOLT RETAINER/SPRING LOADED ASSY (C)	90	M10
66204		WELD ON BOLT RETAINER		
66205		SPRING		

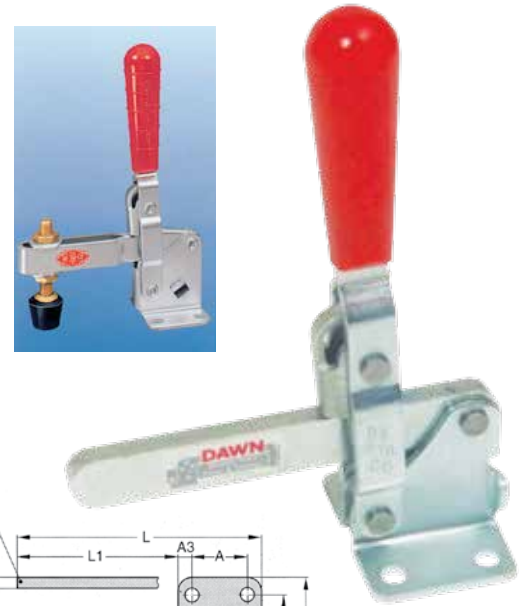
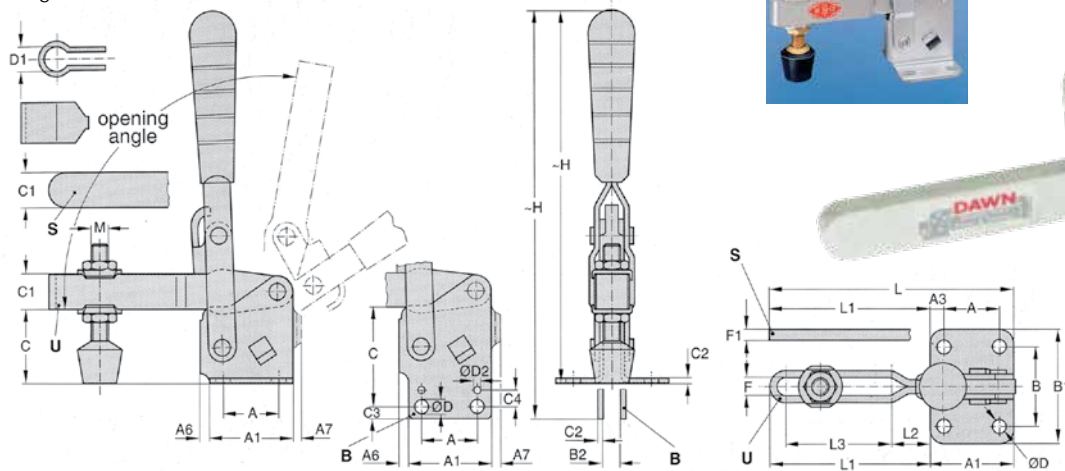


DAWN / DE-STA-CO HOLD DOWN ACTION TOGGLE CLAMPS - VERTICAL HANDLE

All vertical handle models have red ergonomic grips except the T-handle models. Many options are available in most model sizes including straight or flanged bases, solid or U-bars, extra length and stainless steel. Refer to Model Identification Code. Bolt retainers are furnished with solid bar models, flanged washers with U-bar models. Adjustment spindles are provided with models 201 and 202. They can be purchased separately for models 207 (part no. 207 203M), 210 (part no. 240 208M), 247 (part no. 247 208M), 267 (part no. 250 203M).

MODEL IDENTIFICATION CODE

- B** Straight Base - No Flange
- L** Extra Long Bars
- S** Solid Holding Bar
- SS** Stainless Steel
- T** 'T' shaped handle
- U** 'U' shaped Holding Bar



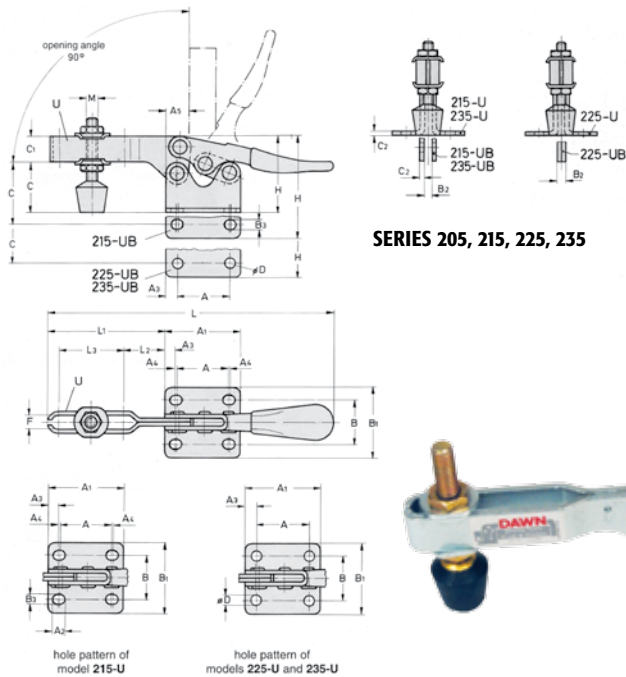
HOLD DOWN ACTION TOGGLE CLAMPS - VERTICAL HANDLE

MODEL NO.	A	A1	A3	A7	B	B1	B2	C	C1	C2	C3	ØD	ØD1	F	F1	~H	L	L1	L2	L3	M	HOLDING CAPACITY KGS	WEIGHT KGS
201	16	26	5	-	24	34	-	16	8	2	-	4.4	-	5.5	-	77	51	26	-	18	M4	45	0.1
201-SS	16	26	5	-	24	34	-	16	8	2	-	4.4	-	5.5	-	77	51	26	-	18	M4	56	0.1
201-B	16	26	5	-	-	-	4	22	8	2	5	4.4	-	5.5	-	83	51	26	-	18	M4	45	0.1
202-U	12.5	25.5	6.5	-	27	39	-	23	9.5	3.2	-	5.3	-	6.5	-	98	75	43	13	24	M6	110	0.2
202-UB	12.5	25.5	6.5	-	-	-	6	28	9.5	3.2	6	5.3	-	6.5	-	107	75	43	13	24	M6	110	0.2
202-USS	12.5	25.5	6.5	-	27	39	-	23	9.5	3.2	-	5.3	-	6.5	-	98	75	43	13	24	M6	113	0.2
207-U 1	9	35	8	8	32	45	-	31.9	16	3.2	-	6.5	-	8.3	-	143	96	55.5	15.5	33	M8	170	0.4
207-UL	19	35	8	8	32	45	-	31.9	16	3.2	-	6.5	-	8.3	-	143	132	95.3	15.5	76.2	M8	170	0.5
207-UB	19	35	8	8	-	-	6	39.8	16	3.2	6.5	6.5	-	8.3	-	153	96	55.5	15.5	33	M8	170	0.4
207-ULB	19	35	8	8	-	-	6	39.8	16	3.2	6.5	6.5	-	8.3	-	153	132	95.3	15.5	76.2	M8	170	0.5
207-USS	19	35	8	8	32	45	-	31.9	16	3.2	-	6.5	-	8.3	-	143	96	55.5	15.5	33	M8	170	0.4
207-S	19	35	8	8	32	45	-	31.9	16	3.2	-	6.5	8.3	-	6	143	130.5	90	-	-	-	200	0.4
207-SB	19	35	8	8	-	-	6	39.8	16	3.2	6.5	6.5	8.3	-	6	153	130.5	90	-	-	-	200	0.4
207-L	19	35	8	8	32	45	-	31.9	16	3.2	-	6.5	-	8.3	-	143	125	87.3	15.5	76.2	-	170	0.5
207-LB	19	35	8	8	-	-	6	39.8	16	3.2	6.5	6.5	8.3	-	6	153	125	87.3	-	-	-	200	0.5
210-U	32	48	8	3	45	65	-	42	20	3.2	-	8.3	-	10.2	-	195	141	92.8	22	61	M10	280	0.6
210-UB	32	48	8	3	-	-	8.2	55.5	20	3.2	10	8.3	-	10.2	-	218	141	92.8	22	61	M10	280	0.6
210-USS	32	48	8	3	45	65	-	42	20	3.2	-	8.3	-	10.2	-	195	141	92.8	22	61	M10	340	0.6
210-S	32	48	8	3	45	65	-	4.2	20	3.2	-	8.3	13	-	8	195	139	91	-	-	-	340	0.6
210-SB	32	48	8	3	-	-	8.2	55.5	20	3.2	10	8.3	13	-	8	218	139	91	-	-	-	340	0.6
247-U	32	51	9.5	3	45	64	-	51	22	8	-	8.5	-	13.5	-	225	178	124	34.5	80	M12	360	1.1
247-UB	32	51	9.5	3	-	-	9.5	57	22	5	9.5	8.5	-	13.5	-	240	178	124	34.5	80	M12	360	1.1
247-S	32	51	9.5	3	45	64	-	51	22	8	-	8.5	14	-	9.5	225	178	124	-	-	-	450	1.1
247-SB	32	51	9.5	3	-	-	9.5	57	22	5	9.5	8.5	14	-	9.5	240	178	124	-	-	-	450	1.1
267-U	51	77	13	3	70	95	-	82	32	8	-	12.2	-	16.6	-	310	230	148	37	98	M16	540	2.2
267-S	51	77	13	3	70	95	-	82	32	8	-	12.2	16.3	-	9.5	343	230	148	-	-	-	540	2.2
267-UB	51	77	13	3	-	-	9.5	102	32	5	13	12.2	-	16.6	-	310	230	148	37	98	M16	540	2.2
267-SB	51	77	13	3	-	-	9.5	102	32	5	13	12.2	16.3	-	9.5	343	230	148	-	-	-	540	2.2

All dimensions in mm

DAWN / DE-STA-CO HOLD DOWN ACTION TOGGLE CLAMPS - HORIZONTAL HANDLE

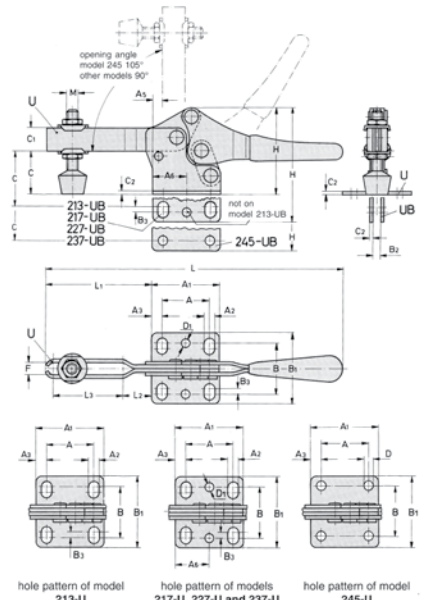
Low silhouette series requiring minimum overhead clearance. All models come with bonded neoprene tipped spindle, lock nuts and flanged washers or bolt retainers.



SERIES 205, 215, 225, 235



SERIES 213, 217, 227, 237, 245



HOLD DOWN ACTION TOGGLE CLAMPS - HORIZONTAL HANDLE

MODEL NO.	A	A1	A2	A3	A4	A5	A6	B	B1	B2	B3	C	C1	C2	ØD	ØD1	F	H	L	L1	L2	L3	M	HOLDING CAPACITY KGS	WEIGHT KGS	
205-U	11.2	24	-	-	2.4	-	-	15.6	24	3	4.3	8	6.4	1.5	-	-	4.5	17	68	19	-	9.5	M4	25	0.03	
205-UB	11.2	24	-	-	2.4	-	-	-	-	3	4.3	8	6.4	3	-	-	4.5	17	68	19	-	9.5	M4	25	0.03	
205-UR	11.2	24	-	-	2.4	-	-	9.5	13.5	1.5	4.3	8	6.4	3	-	-	4.5	17	68	19	-	9.5	M4	25	0.03	
205-UL	11.2	24	-	-	2.4	-	-	9.5	13.5	1.5	4.3	8	6.4	3	-	-	4.5	17	68	19	-	9.5	M4	25	0.03	
205-USS	11.2	24	-	-	2.4	-	-	15.6	24	3	4.3	8	6.4	1.5	-	-	4.5	17	68	19	-	9.5	M4	25	0.03	
205-S	11.2	24	-	-	2.4	-	-	15.6	24	3	4.3	9.5	3	1.5	-	-	-	17	71	21	-	-	M4	25	0.03	
205-SB	11.2	24	-	-	2.4	-	-	-	-	3	4.3	9.5	3	3	-	-	-	17	71	21	-	-	M4	25	0.03	
205-SR	11.2	24	-	-	2.4	-	-	9.5	13.5	1.5	4.3	9.5	3	3	-	-	-	17	71	21	-	-	M4	25	0.03	
205-SL	11.2	24	-	-	2.4	-	-	9.5	13.5	1.5	4.3	9.5	3	3	-	-	-	17	71	21	-	-	M4	25	0.03	
213-U	13.5	25.4	4.4	6	-	4.7	-	17.6	27	-	0.8	18.5	9.5	1.9	-	-	5.6	35.5	105	35.5	10	21.5	M5	70	0.07	
213-UB	13.5	25.4	4.4	6	-	4.7	-	-	-	3.8	0.8	21.2	9.5	1.9	-	-	5.6	44	105	35.5	10	21.5	M5	70	0.07	
213-USS	13.5	25.4	4.4	6	-	4.7	-	15.6	24	3	4.3	8	6.4	1.5	-	-	4.5	17	68	19	-	9.5	M4	70	0.07	
215-U	25.5	37	5.9	5	0.8	11	-	22	35	4	5.1	25	13	2	-	-	7	38	141	57	20	32	M6	90	0.11	
215-UB	25.5	37	5.9	5	0.8	11	-	-	-	4	5.1	30	13	2	-	-	7	50	141	57	20	32	M6	90	0.11	
215-S	25.5	37	5.9	5	0.8	11	-	22	35	4	5.1	25	13	2	-	-	-	38	141	57	-	-	-	90	0.11	
215-SB	25.5	37	5.9	5	0.8	11	-	-	-	4	5.1	30	13	2	-	-	-	50	141	27	-	-	-	90	0.11	
217-U	26	37.4	5.5	5.7	-	6	18.5	28	38.6	-	3	24	13	2.5	-	4.8	6.4	49	164	58	15	38	M6	90	0.08	
217-UB	26	37.4	5.5	5.7	-	6	18.5	-	-	5	3	30	13	2.5	-	4.8	6.4	63	164	58	15	38	M6	90	0.18	
217-USS	26	37.4	5.5	5.7	-	6	18.5	28	38.6	-	3	24	13	2.5	-	4.8	6.4	49	164	58	15	38	M6	90	0.18	
225-U	25.4	38	-	6.5	-	13	-	22.2	35	-	-	35	13	3.2	6.5	-	9	48	171	69	26	36	M8	220	0.26	
225-UB	25.4	38	-	6.5	-	13	-	-	-	-	-	35	13	3.2	6.5	-	9	48	171	69	26	36	M8	220	0.26	
225-USS	25.4	38	-	6.5	-	13	-	22.2	-	-	-	35	35	13	3.2	6.5	-	9	48	171	69	26	36	M8	220	0.26
227-U	26	40	6.6	7	-	1	20	31	43.6	-	2.5	34	14	3	-	4.8	8.4	62	188	66	21	38	M8	220	0.30	
227-UB	26	40	6.6	7	-	1	20	-	-	6	2.5	38	14	3	-	4.8	8.4	75	188	66	21	38	M8	220	0.30	
227-USS	26	40	6.6	7	-	1	20	31	43.6	-	2.5	34	14	3	-	4.8	8.4	62	188	66	21	38	M8	220	0.30	
235-U	41.2	57	-	8	-	17	-	41	57	8	-	45	19	4	8.1	-	10.5	64	264	103	35	60	M10	340	0.66	
235-UB	41.2	57	-	8	-	17	-	-	-	8	-	59	19	4	8.1	-	10.5	86	264	103	35	60	M10	340	0.66	
235-USS	41.2	57	-	8	-	17	-	41	57	8	-	45	19	4	8.1	-	10.5	64	264	103	35	60	M10	340	0.66	
237-U	41	57	8.8	8	-	10	28.5	43	58	-	2	44.5	19	4	-	5.8	10.5	81	270	103	24	70	M10	340	0.75	
237-UB	41	57	8.8	8	-	10	28.5	-	-	8	2	53.5	19	4	-	5.8	10.5	99	270	103	24	70	M10	340	0.75	
237-US	41	57	8.8	8	-	10	28.5	43	58	-	2	44.5	19	4	-	5.8	10.5	81	270	103	24	70	M10	340	0.75	
245-U	41.5	67	-	12.5	-	-	-	41.5	67	-	-	57	25	5	8.5	-	13.5	108	312	125	36	77	M12	450	1.4	
245-UB	41.5	67	-	12.5	-	-	-	-	-	9.5	-	65	25	5	8.5	-	13.5	128	312	125	36	77	M12	450	1.4	

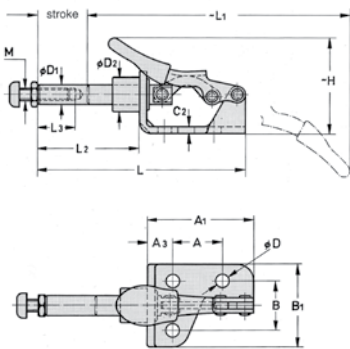
All dimensions in mm

DAWN / DE-STA-CO STRAIGHT LINE CLAMPS - PUSH & PULL ACTIONS

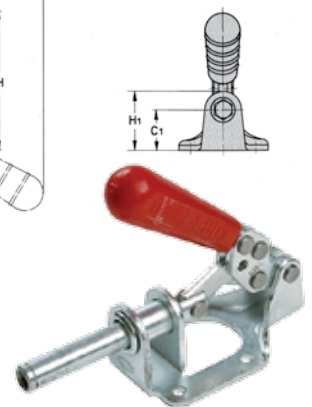
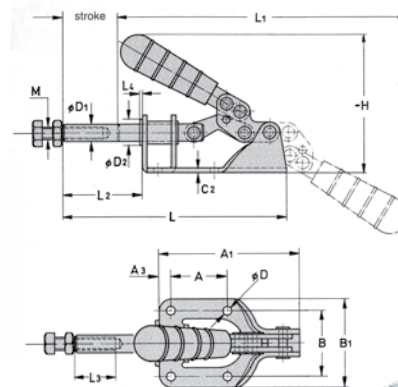
The straight line toggle clamps have a large holding capacity for its size. It is well adapted for use in confined areas because of its small package size and low height. The plunger can be locked in both the extended (open) or retracted (closed) clamping positions and can serve as latch clamps. The plunger comes with a threaded hole. Comes complete with oil resistant ergonomic handle. Additional mounting flanges can be supplied for models 602, 604 and 624 models. Stainless steel models available in 602-SS, 604-SS, 624-SS.

MODEL	601-M	602-M	603-M	604-MM	605-M	607-M	624-M	606-M	609-M	610-M	620-M	630-M	640-M	650-M
MODEL S/STEEL	601-SS	602-SS	-	604-SS	-	-	624-SS	-	-	-	-	-	-	-
HOLDING FORCE daN	40	90	270	130	130	360	300	200	130	270	270	1100	3000	4500
STROKE MM	16.1	9	32	38	32	42	67	38	32	41	28	50	101	76
WEIGHT KGS	0.04	0.11	0.32	0.28	0.31	0.63	0.75	0.31	0.4	0.68	0.68	0.9	3.2	2.5

MODEL 601-M



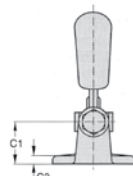
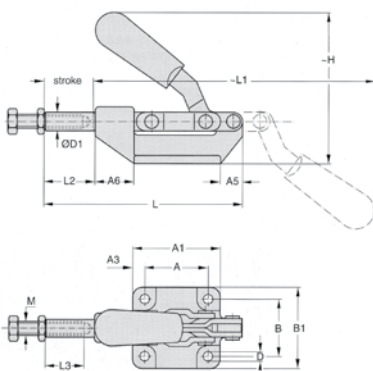
MODEL 605-M



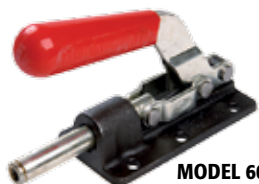
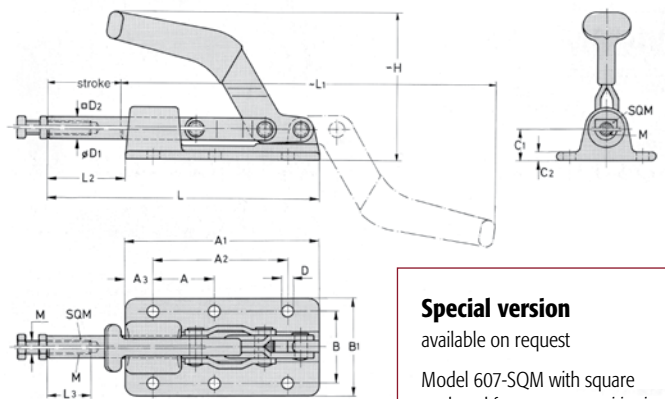
STRAIGHT LINE CLAMPS - PUSH & PULL ACTIONS

MODEL NO.	A	A1	A3	B	B1	C1	C2	D	D1	D2	~H	H1	~L	~L1	L2	L3	L4	M
601-M	16	34	8	16	27	12.6	2.2	4.4	6.4	11	31	20	67	84	32.5	12	-	M4
605-M	35	87	7	41.3	55.5	24.5	3.2	5.5	11	19.5	90	37.5	139	195	49	25	2.5	M8

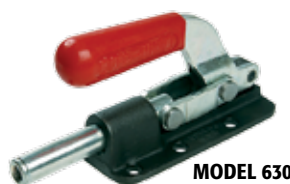
MODEL 603-M



MODELS 607 M, 630 M, 640 M



MODEL 607-M



MODEL 630-M



MODEL 640-M

Special version

available on request

Model 607-SQM with square push rod for accurate positioning. Same dimensions as model 607-M



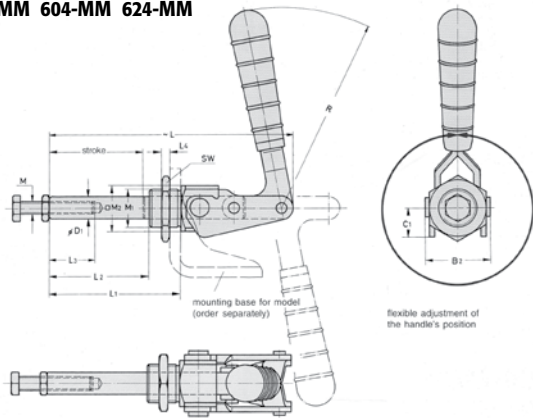
STRAIGHT LINE CLAMPS - PUSH & PULL ACTIONS

MODEL NO.	A	A1	A2	A3	~A5	A6	B	B1	C1	C2	ØD	ØD1	D2	L	~L1	L2	L3	~H	M
603-M	36.6	51	-	7	10	24.5	33.2	48	24.5	5	5.5	11	-	121	167	32.5	25.4	88	M 8
607-M	35	107	76.5	15.5	-	-	41.5	56	17.5	5	7.2	12.7	-	154	212	47	25	85	M 8
607-SQM	35	107	76.5	15.5	-	-	41.5	56	17.5	5	7.2	-	12.7	154	212	47	25	85	M 8
630-M	35	128	76	13	-	-	41	57	21	5	8.7	16	-	180	234	52	32	75	M 10
640-M	90.5	216	181	17.5	-	-	54	76	32	9.5	10.3	22	-	321	393	105	50	110	M 12



DAWN / DE-STA-CO STRAIGHT LINE CLAMPS - PUSH & PULL ACTIONS

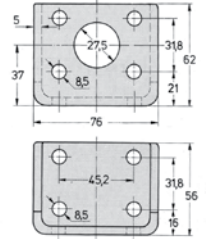
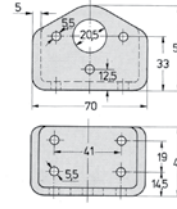
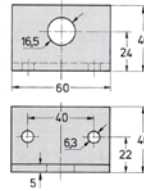
MODEL 602-MM 604-MM 624-MM



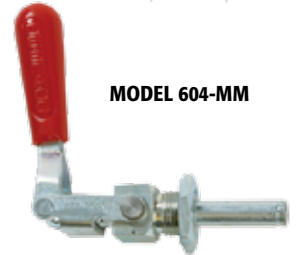
for model 602-MM
part no. **602106-M**
(order separately)

for model 604-MM
part no. **604106-M**
(order separately)

for model 624-MM
part no. **624106-M**
(order separately)



For model 604-MM
Part No. **604 106-M**
(order separately)



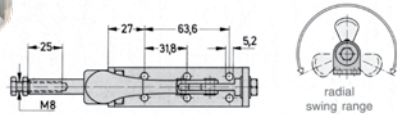
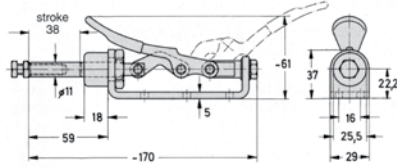
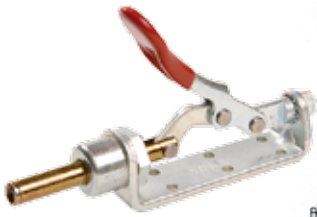
MODEL 604-MM

STRAIGHT LINE CLAMPS - PUSH & PULL ACTIONS

MODEL NO.	B2	C1	ØD1	~L	L1	L2	~L3	L4	M	M1	M2	~R	SW
602-MM	26.5	11	9.5	62	33	20.5	15	6	M 6	M16x 1.5	19	69	24
604-MM	33.5	11	11.1	110	56	40	25	6	M 8	M20 x 1.5	22	95	30
624-MM	48	20	16	170	92	70	32	6.5	M 10	M27 x 2	32	130	41

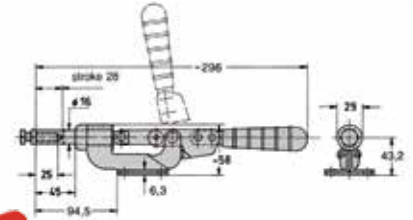
Recommended accessories
(order separately adjustment spindle)

MODEL 606-M
Light duty version



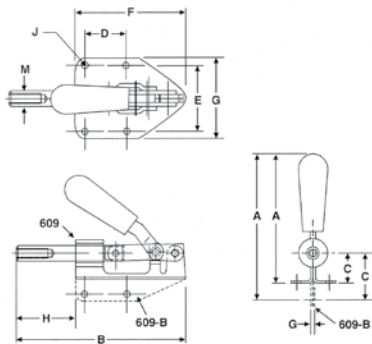
The handle and push rod can be rotated. The push rod does not lock in the open position.

MODEL 604-MM
Medium duty version

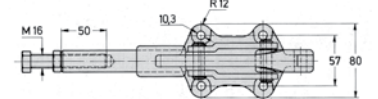
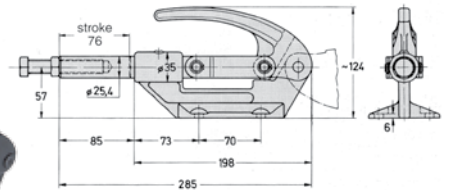


The handle and push rod move in opposite directions. The push rod does not lock in the open position.

MODEL 609-M

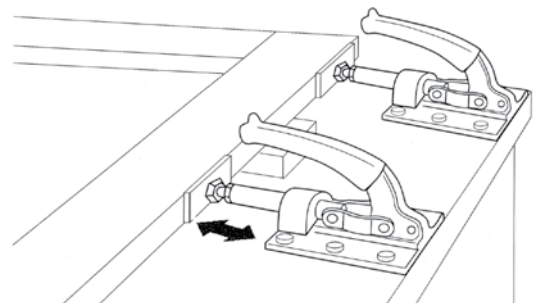
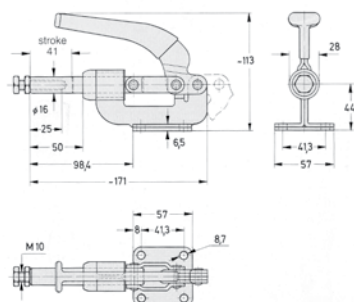


MODEL 650-M
Heavy duty version



A	B	C	D	E	F	G	H	J	M
85.9	139.2	24.6	35.1	41.4	91.4	55.6	47.8	5.1	12.7

MODEL 610-M
Medium duty version



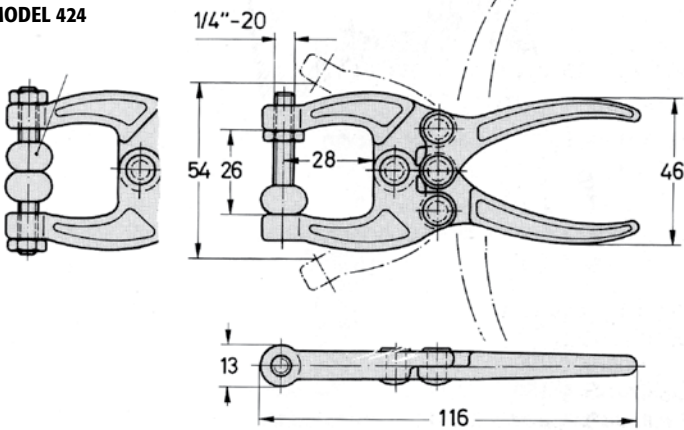
DAWN / DE-STA-CO PLIER CLAMPS - SQUEEZE ACTION

These toggle plier clamps are made of dropped forged steel. All pliers are galvanised and have stainless steel rivets. Most of them have a patented quick release lever allowing the pliers to be opened by hand easily. All models come with 2 vinyl handles. Plier clamps can be used in all industrial and manufacturing areas.

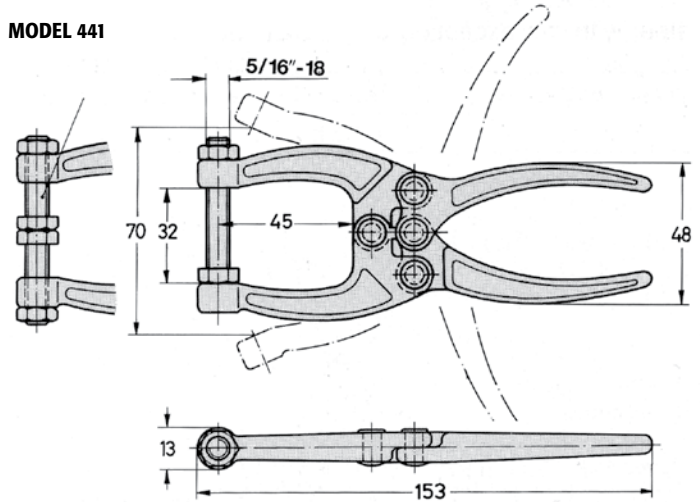


MODEL	424	441	462	463	482	484
HOLDING FORCE daN	90	150	320	320	540	540
WEIGHT KGS	0.2	0.25	0.6	0.65	0.9	1.05

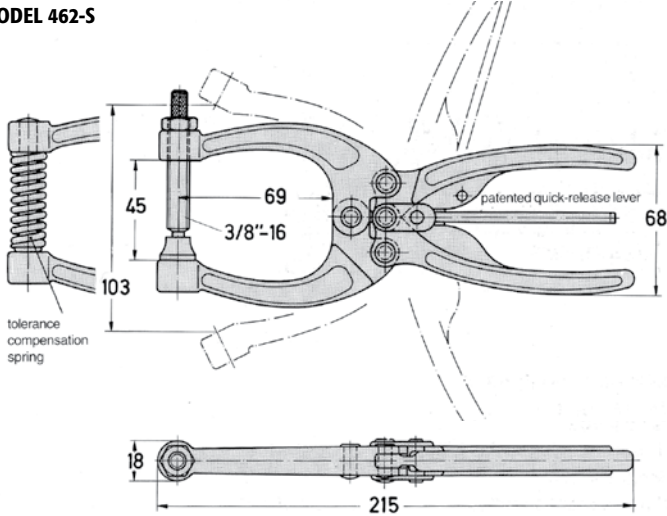
MODEL 424



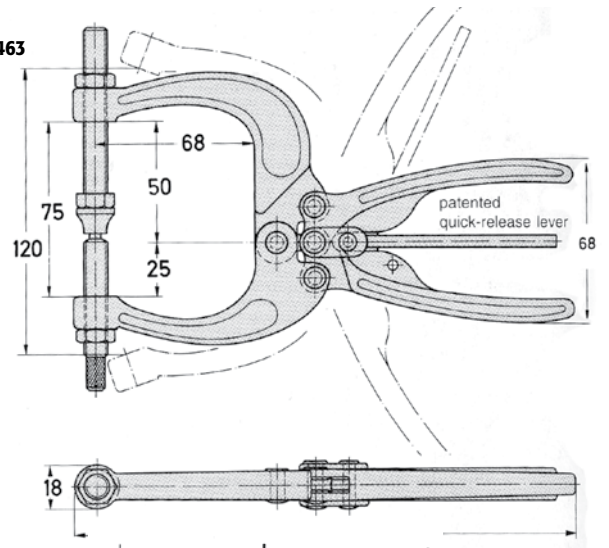
MODEL 441



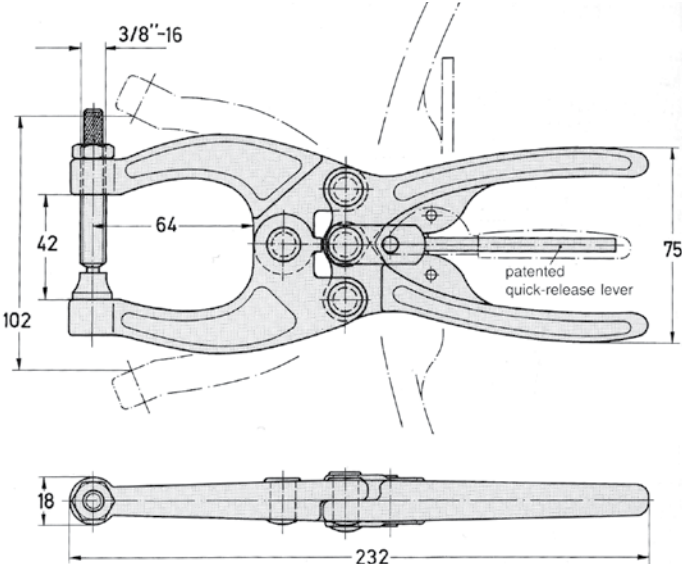
MODEL 462-S



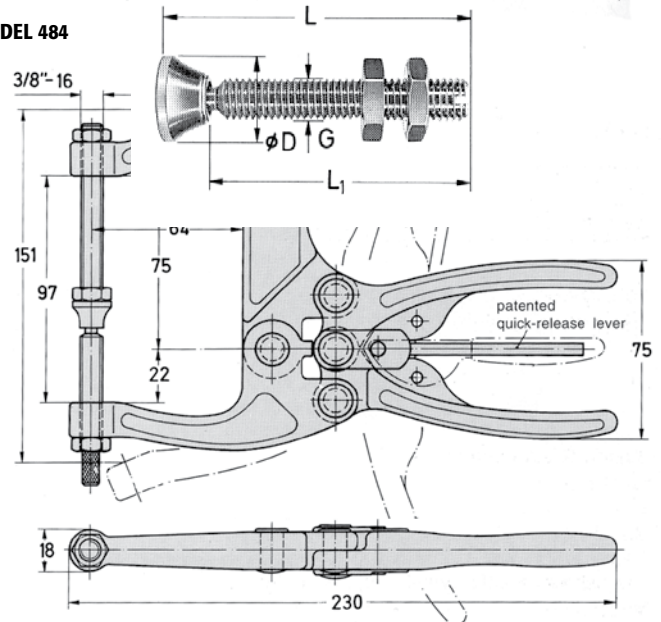
MODEL 463



MODEL 482



MODEL 484



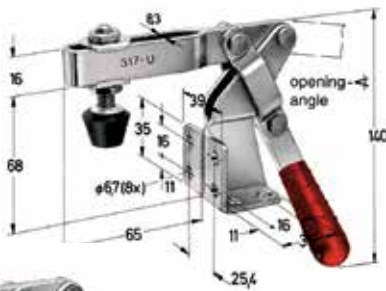
DAWN / DE-STA-CO SPECIAL CLAMPS

Recommended accessories

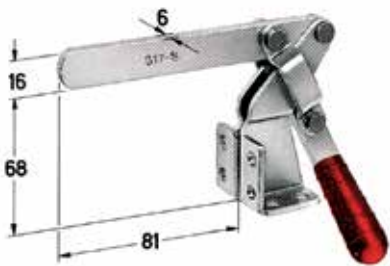
(order separately)
adjustment spindle M8
Part No. 225208-M

SERIES 317

MODEL 317-U

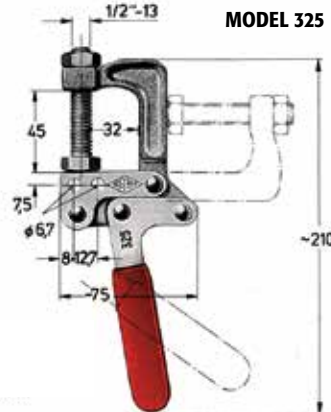


MODEL 317-S



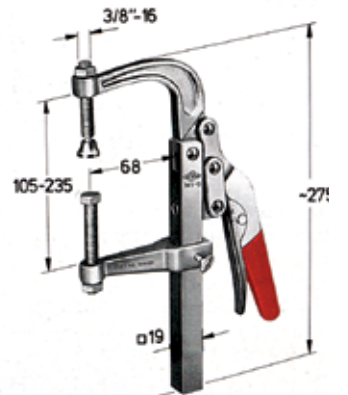
MODEL	317-U	317-S	325	345-G
MODEL IN STAINLESS STEEL			325-SS	
HOLDING FORCE daN	170	190	360	360
OPENING ANGLE	185	185	90	84
WEIGHT KGS	0.34	0.34	0.45	1.4

MODEL 325

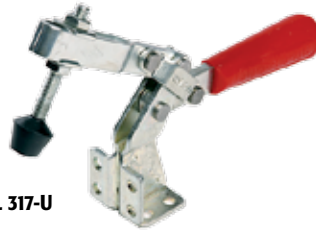


The model 325 can also be used for stationary purposes due to 2 fastening bores Ø 6.7mm. Field of application: eg locking of containers, shutters etc.

MODEL 345-G



The model 345-G has a large adjustable clamping range and quick release lever. This quick release lever allows for easy manual opening of the plier clamp. For stationary applications, the solid square foot can be welded on a clamping fixture.



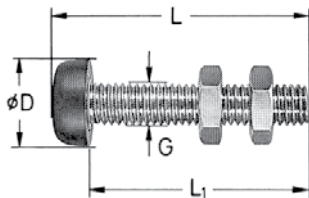
MODEL 317-U



MODEL 326

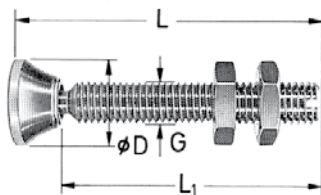
DAWN / DE-STA-CO ACCESSORIES

Adjustment spindle with vulcanised neoprene thrust pad (800 shore) & 2 hexagonal nuts

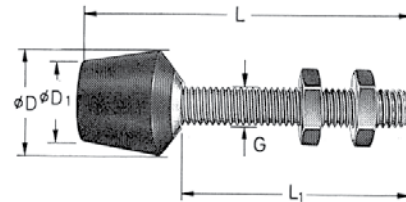


THREAD	G	L	L1	ØD	PART NO.
M4		18.5	16	8	205208-M
M5		29	25	10	305208-M
M5		34	30	10	213208-M
M8		44	35	19	307208-M

Adjustment spindle with swivel foot & 2 hexagonal nuts

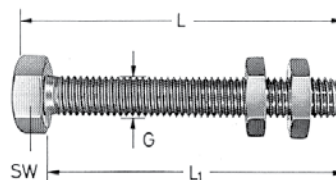


THREAD	G	L	L1	ØD	PART NO.
M6		62	54	12	207206-M
M8		73	62.5	16	507206-M
M10		84	71	20	210206-M
M12		120	105	25	250206-M



THREAD	G	L	L1	ØD	ØD1	PART NO.
M6		44	30	16	12	202208-M
M6		54	40	16	12	215208-M
M8		53	35	21	14	225208-M
M8		78	60	21	14	507208-M
M10		79	55	26	20	240208-M
M10		140	115	26	20	235208-M
M12		97	68	30	24	247208-M

Adjustment spindle with hexagonal head & 2 hexagonal nuts

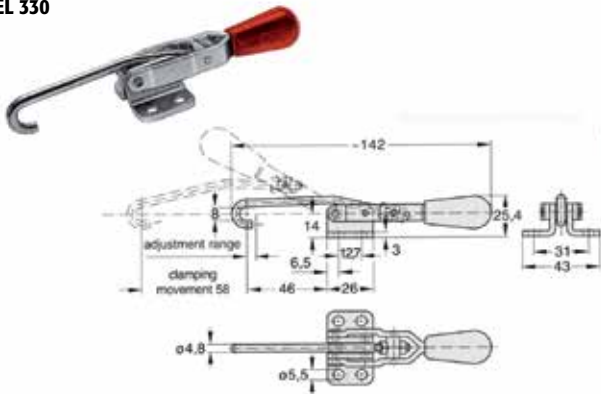


THREAD	G	L	L1	SW	PART NO.
M6		49.5	45	10	205203-M
M6		79.5	75	10	202203-M
M8		70.5	65	13	207203-M
M10		77	70	17	210203-M
M10		107	100	17	240203-M
M10		127	120	17	527203-M
M12		83	75	19	220203-M
M16		110	100	24	250203-M
M16		130	120	24	267203-M

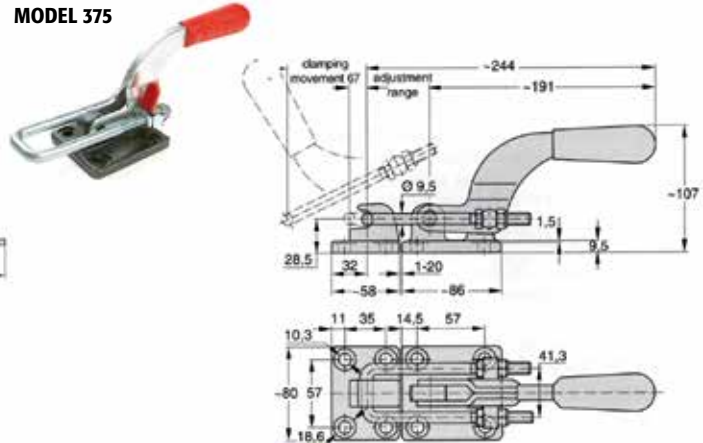
DAWN / DE-STA-CO LATCH CLAMPS - HORIZONTAL AND VERTICAL

Toggle lock latch clamps allow for quick closing/clamping of doors, lids, or access covers onto drums, containers, or other vessels. The heavy duty versions are ideal for holding against heavy forces such as those generated in plastic moulding operations. The stainless steel versions are suitable for use in the chemical and food stuff industries. The threaded U-bolts permit easy adjustment and provide a positive connection with the supplied latch plate. All models have stainless steel rivets, specially galvanised and are supplied with an oil resistant ergonomic handle.

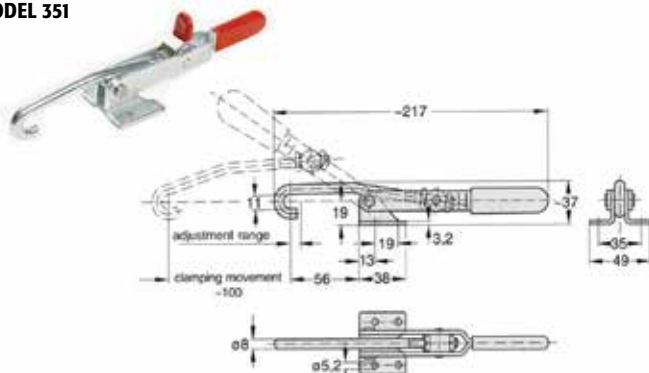
MODEL 330



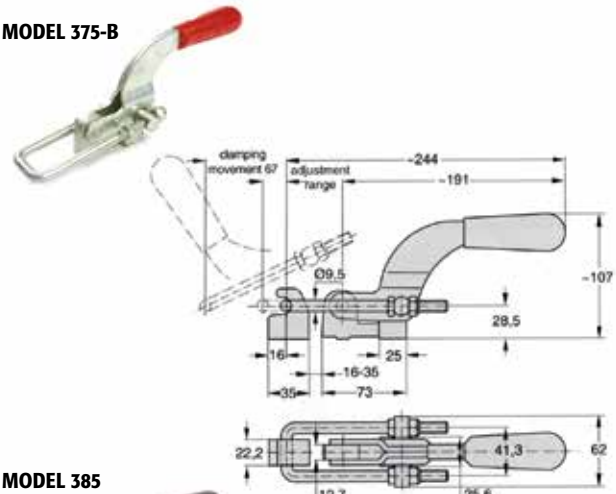
MODEL 375



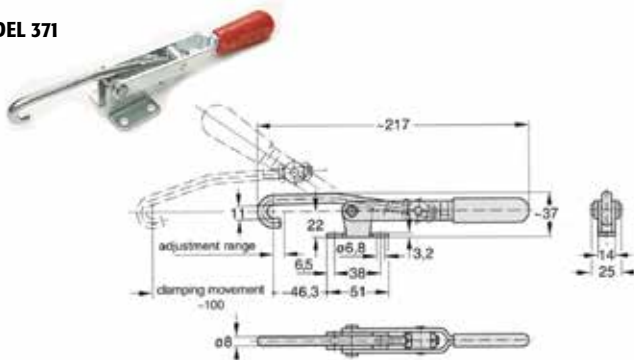
MODEL 351



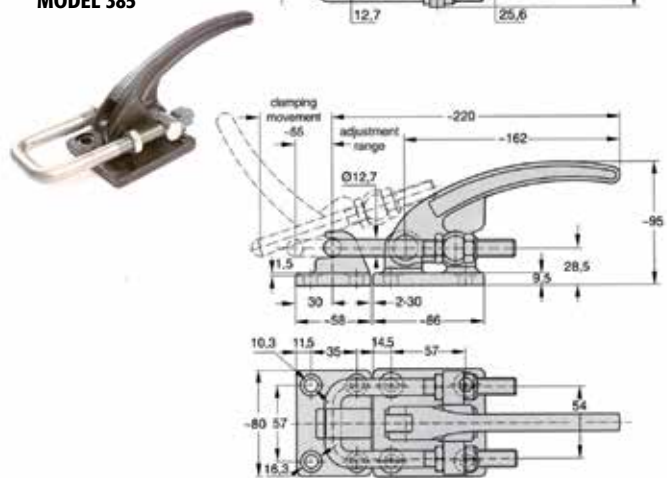
MODEL 375-B



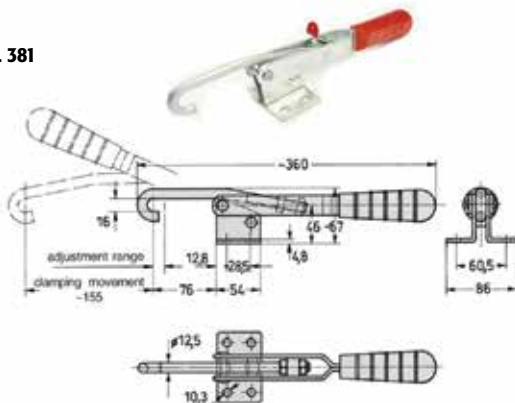
MODEL 371



MODEL 385



MODEL 381



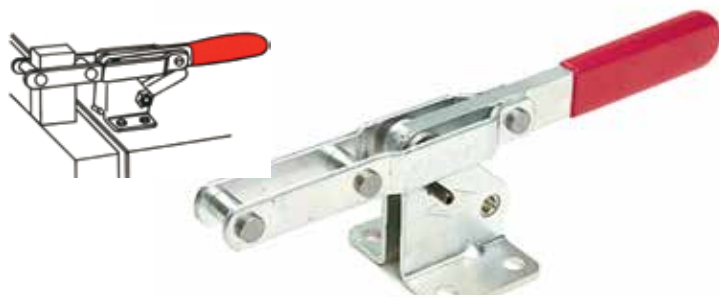
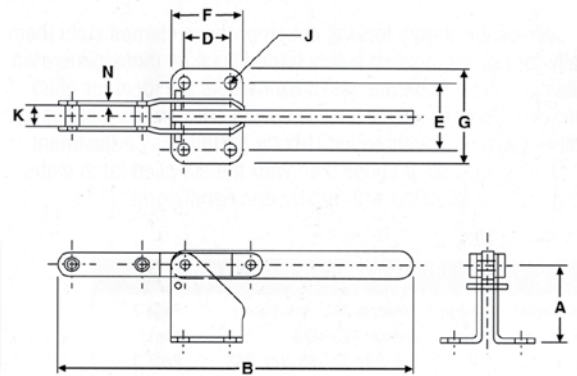
MODEL	330	351	371	381	375	375-B	385
MODEL IN STAINLESS STEEL	330-SS	351-SS	371-SS	381-SS			
HOLDING FORCE daN	90	220	340	450	1500	1500	2700
ADJUSTMENT RANGE MM	0-6	0-10	0-25	0-19	0-19	0-19	0-28
WEIGHT KGS	0.1	0.3	0.7	1.1 K	1.7	1.1	1.9

DAWN / DE-STA-CO LATCH CLAMPS - PULL ACTION

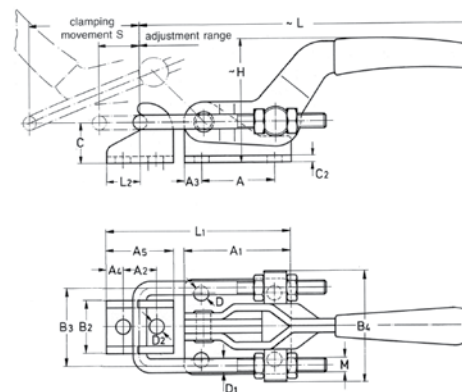
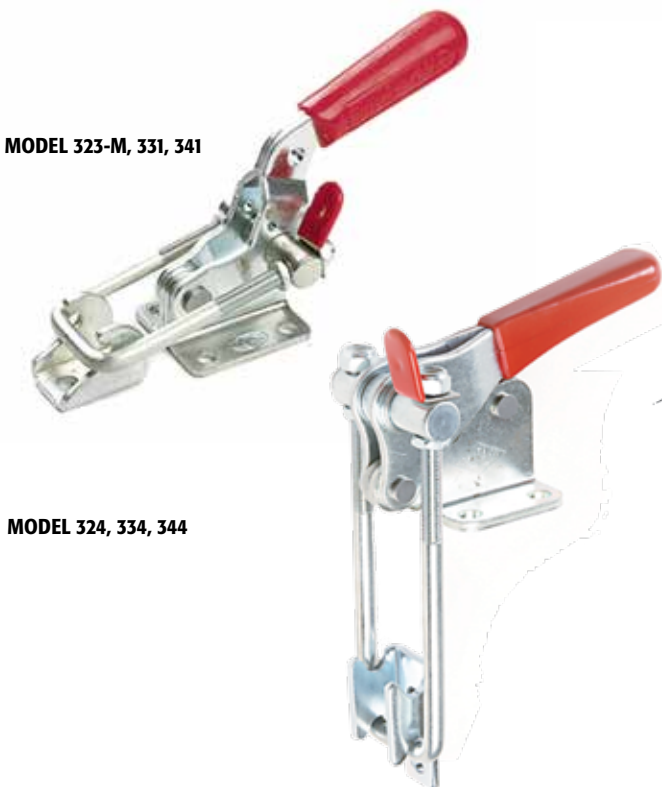
MODEL 301, 311

Latch type pull action clamps. A fixed stop automatically limits handle travel at various clamping positions once the clamp is installed. Model 301 has 101mm drawing movement (latch travel from fully open to locked position) and Model 311 has 85mm.

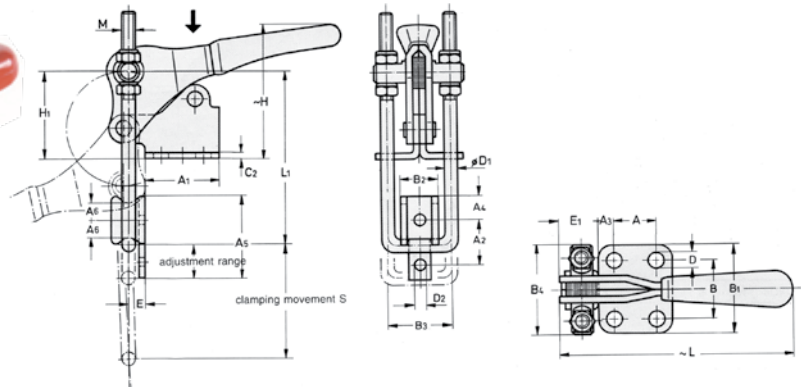
MODEL	HOLDING CAPACITY	WT KGS	A	B	C	D	E	F	G	J	K	N
301	170 KGS	0.34	41.4	212	47.6	19.1	31.8	35.1	44.5	7.1	14.2	3.3
311	540 KGS	0.54	52.3	245	47.6	31.8	45.2	48.5	64.3	8.4	14.2	3.3



MODEL 323-M, 331, 341



MODEL 324, 334, 344



MODEL	323-M	324	331	334	341	344
MODEL IN STAINLESS STEEL	23-MSS	324-SS	331-SS	334-SS	341-SS	344-SS
HOLDING FORCE daN	160	160	320	320	700	700
ADJUSTMENT RANGE MM	0 - 10mm	0 - 10mm	0 - 13mm	0 - 15mm	0 - 18mm	0 - 21mm
WEIGHT KGS	0.07	0.1	0.25	0.25	0.75	0.68

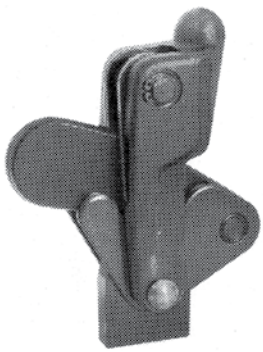
MODEL NO.	A	A1	A2	A3	A4	A5	B	B1	B2	B3	B4	C	C2	ØD	ØD1	ØD2	~H	~L* MIN	~L1* MIN	L2	M	S
323-M	16	26	10	5	6	20	19	28	13	19	28	12	1.9	4.2	3.4	4.2	29	88	48	9,5	M4	30
331	19	40	14.3	6.5	5.5	26	32	44.5	18	25.5	41	16.5	3.2	6.5	4.5	6.5	50	146	67	13	10-32UNF	43
341	41.3	60.5	19	9.5	9.5	38	38	54	31	44.5	64	23.4	4	8.5	8	8.5	70	191	105	19	M8	63

MODEL NO.	A	A1	A2	A3	A4	A5	A6	B	B1	B2	B3	B4	C2	ØD	ØD1	ØD2	~E	~E1	~H	H1	L	~L1* MIN	~L1* MAX	M	S
324	12.7	25.5	14.3	6.	5.7	25.4	4.8	22	35	13.3	20.5	30	2.4	5.2	3.4	4.3	5	12	51	28	83	58	68	M4	38
334	19	33.5	20.5	7.2	10.5	38	7	25.4	40	17.2	28	42	3.2	7.2	6	5.3	8	19	62	39	105	78	93	M6	52
344	32	48	27	7.5	17.5	54	9.5	36.5	53	30	44	61	4	8.8	8	8.8	13	26	84	48	136	104	125	M8	63

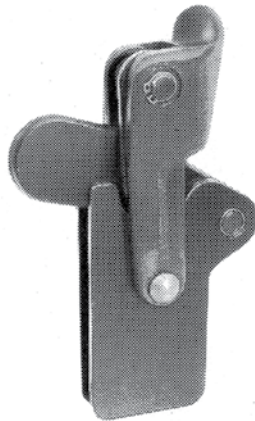
DAWN / DE-STA-CO JIG & FIXTURE CLAMPS - CUSTOM FIT YOUR OWN CLAMPING REQUIREMENT

These heavy duty clamps provide the strength and durability required in high production industrial applications such as milling and welding fixtures in the automobile industry, sealing moulds etc. Forged steel components are accurately machined and equipped with hardened bushings and pivot pins. The basic toggle action mechanism can be readily adapted to a wide variety of applications by adding a handle and a suitable hold-down bar. The designer can position the base, clamp arm and handle and weld them to suit the application. The extremely wide angle of operations gives maximum access for loading and unloading of workpieces. Two mounting versions are available: the B series with a swivel mounting base and the LB series with 2 long mounting plates.

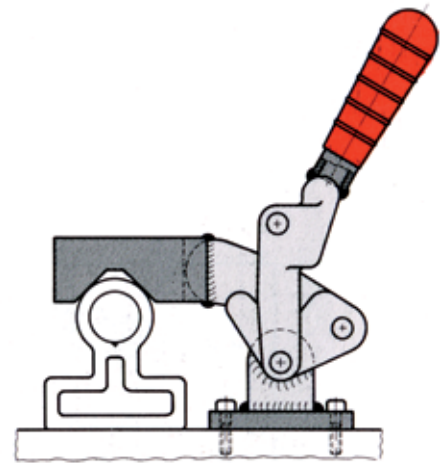
SERIES - 501, 503, 505, 506, 508



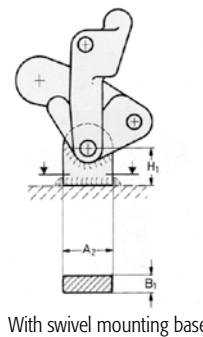
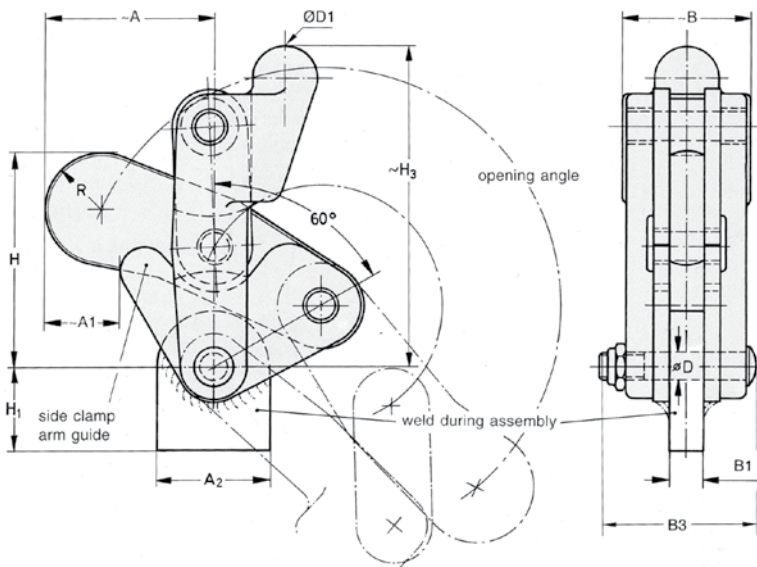
MODEL 505 - MB



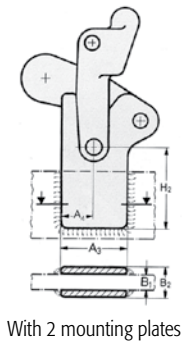
MODEL 505 - MLB



APPLICATION EXAMPLE



With swivel mounting base



With 2 mounting plates

MODELS 501-B, 503-MB, 505-MB, 506-MB, 508-B

MODELS 501-LB, 503-MLB, 505-MLB, 506-MLB

MODEL NO.	~A	~A1	A2	A3	A4	~B	B1	B2	B3	ØD	ØD1	H	H1	H2	~H3	R	OPENING ANGLE	HOLDING CAPACITY	WEIGHT (KGS)
501-B	28.5	14.5	19	-	-	28	6.4	-	28	4.7	12	28	20	-	56	9.5	200°	250	0.18
501-LB	28.5	14.5	-	28.5	14	28	6.4	12.8	28	4.7	12	28	-	33.5	56	9.5	200°	250	0.2
503-MB	39.5	13	28.5	-	-	38.5	10	-	45	7.9	18	51	20	-	88.5	13.5	200°	700	0.7
503-MLB	39.5	13	-	44.5	19	38.5	10	19.6	45	7.9	18	51	-	50	88.5	13.5	200°	700	0.8
505-MB	56.5	25	35	-	-	48	12.3	-	54	9.5	22	71.5	28	-	110	18	200°	1100	1.4
505-MLB	56.5	29	-	53	27.5	48	12.3	21.9	54	9.5	22	71.5	-	63.5	110	18	200°	1100	1.5
506-MB	72	32.5	51	-	-	60	16	-	67	12.7	28	87.5	33	-	135	21	200°	2250	2.6
506-MLB	72	35	-	65.5	37	60	16	28.8	67	12.7	28	87.5	-	76	135	21	200°	2250	2.8
508-B	66	17	70	-	-	69	19	-	79	15.8	35	102	33.5	-	174	20	215°	3400	4.2



PUNCH SETS	52
PNEUMATIC TOOL ACCESSORIES	54
TIE ROD REMOVAL TOOL	55
PROFESSIONAL HOSE CLAMP PLIERS	55
PRY BARS	56

3 PIECE BRASS DRIFT PUNCHES



Features:

- Used for non-marring and non-sparking applications
- Used for knocking out frozen pins
- Variable point size and shank size
- Knurled surface for better grip
- Manufactured from high quality Brass
- Includes 3/4", 1/2" and 3/8" in the set
- Can be used to roughly align holes through which rivets, pins or bolts will be inserted.



3 PIECE BRASS DRIFT PUNCHES

PART NO.	DESCRIPTION	LENGTH MM	WIDTH MM	HEIGHT MM	WEIGHT KG
25075-MHW	3/4" BRASS DRIFT PUNCH	200	19	19	0.5
25076-MHW	1/2" BRASS DRIFT PUNCH	175	12	12	0.2
25077-MHW	3/8" BRASS DRIFT PUNCH	150	9.5	9.5	0.1
61360-MHW	3 PCE BRASS PUNCH SET. INCL 3/4", 1/2" & 3/8"	270	95	95	30 1.0

4 PIECE ASSORTED BRASS PUNCH SET



Features:

- Manufactured from high quality Brass
- Used for non-marring applications
- Spark Inhibiting
- Popular, versatile 4 Pc Kit consists of drift, solid and pin punches
- Pin Punch can be used to roughly align holes through which rivets, pins or bolts will be inserted, drive out or remove already loosened pins after initial movement by solid punch and remove roll pins or other hollow tension pins
- Drift Punch used for knocking out frozen pins and can be used to roughly align holes through which rivets, pins or bolts will be inserted
- Solid Punch used for loosening frozen or tight pins and keys knocking out rivets
- Includes: 3/8" Drift Punch, 1/4" Solid Punch and 1/4" & 3/8" Pin Punch
- Made in the USA.



4 PIECE ASSORTED BRASS PUNCH SET

PART NO.	DESCRIPTION	LENGTH MM	WIDTH MM	HEIGHT MM	WEIGHT KG
25077-MHW	3/8" BRASS DRIFT PUNCH	150	9.5	9.5	0.1
25080-MHW	1/4" BRASS SOLID PUNCH	150	12	12	0.2
25090-MHW	1/4" BRASS PIN PUNCH	100	12	12	0.1
25091-MHW	3/8" BRASS PIN PUNCH	150	12	12	0.2
62277-MHW	4 PCE BRASS ASSORTED PUNCH SET. INCL: 25077-MHW, 25080-MHW, 25090-MHW AND 25091-MHW	255	70	20	0.7

3 PIECE HEAVY DUTY BRASS PUNCH SET



Features:

- Manufactured from high quality Brass for non-marring applications
- Spark Inhibiting
- Extra large and long for heavy duty applications
- Used for knocking out frozen pins
- Can be used to roughly align holes through which rivets, pins or bolts will be inserted
- Includes: Drift Punch 3/4" x 12", 3/8" x 10" & 7/16" x 14" Line Up Punches
- Made in the USA.



3 PIECE HEAVY DUTY BRASS PUNCH SET

PART NO.	DESCRIPTION	LENGTH MM	WIDTH MM	HEIGHT MM	WEIGHT KG
25078-MHW	3/4" BRASS DRIFT PUNCH	300	19	19	1.0
25095-MHW	3/8" BRASS LINE UP PUNCH	255	19	19	0.8
25096-MHW	7/16" BRASS LINE UP PUNCH	355	19	19	0.9
61365-MHW	3 PCE BRASS PUNCH SET INCL: 25078-MHW, 25095-MHW AND 25096-MHW	400	70	40	2.8

4 PIECE BEARING RACE PUNCH SET



Features:

- Trade quality specifically used to remove/install bearing races into hubs
- Made from premium tool steel S2 Mod 4
- Popular due to the length and the quality of construction
- Forged oval shape striking ends of the punch allows the maximum contact with the race
- Made in the USA.



4 PIECE BEARING RACE PUNCH SET

PART NO.	DESCRIPTION	LENGTH MM	WIDTH MM	HEIGHT MM	WEIGHT KG
24548-MHW	105-7/16" BEARING RACE PUNCH 6" OAL	152.4	11.2	11.2	0.1
24549-MHW	105-1/2" BEARING RACE PUNCH 10" OAL	254.0	12.7	12.7	0.2
24550-MHW	105-5/8" BEARING RACE PUNCH 20" OAL	508.0	16.0	16.0	0.7
24551-MHW	105-9/16" BEARING RACE PUNCH 14" OAL	355.6	14.2	14.2	0.4
62015-MHW	4 PC BEARING RACE PUNCH SET MAYHEW PRO™	558.8	57.2	19.1	1.4

4 PIECE LINE UP PUNCH SET



Features:

- Line Up Punch or Drift Punch - Used to align holes through which rivets, pins or bolts will be inserted
- Variable point size, shank size and taper length for the perfect alignment
- Made in the USA.



4 PIECE LINE UP PUNCH SET

PART NO.	DESCRIPTION	LENGTH MM	WIDTH MM	HEIGHT MM	WEIGHT KG
22003-MHW	1/4" LINE UP PUNCH	305	19	19	0.38
22010-MHW	1/8" LINE UP PUNCH	203	8	8	0.10
22011-MHW	5/32" LINE UP PUNCH	229	12	12	0.12
22012-MHW	3/16" LINE UP PUNCH	254	13	13	0.20
62235-MHW	4 PCE LINE UP PUNCH KIT INCL (1/4, 1/8, 5/32 & 3/16")	305	101	12.7	0.8

6 PIECE PILOT PUNCH SET



Features:

- Original Mayhew patented design with a rounded end that fits snugly within a roll pin
- Used to drive in and remove roll pins or other hollow tension pins
- Variable point sizes available for variable radius sizes for all pin configurations
- Also known as a roll pin punch
- Made in USA.



6 PIECE PILOT PUNCH SET

PART NO.	DESCRIPTION	LENGTH MM	WIDTH MM	HEIGHT MM	WEIGHT KG
25017-MHW	3MM PILOT PUNCH	100	6.5	6.5	0.02
25019-MHW	4MM PILOT PUNCH	115	6.5	6.5	0.02
25021-MHW	5MM PILOT PUNCH	115	9.5	9.5	0.04
25023-MHW	6MM PILOT PUNCH	140	11	11	0.06
25027-MHW	7MM PILOT PUNCH	150	11	11	0.07
25029-MHW	8MM PILOT PUNCH	150	11	11	0.08
66250-MHW	6 PCE METRIC PILOT PUNCH KIT INCL: 3-8MM	190	60	30	0.30



16 PIECE HOLLOW PUNCH SET



Features:

- Patent pending unique design that enables a huge variety of hollow or solid washers, gaskets, etc to be simply and easily made with a single hammer blow
- Included in this kit and that can be mixed and matched are: 3, 4, 6, 8, 10, 12, 14, 16, 18, 20, 22, 24, 26, 28, 30mm punches and handle
- Easy to assemble and use
- Solid construction
- Kit pack for ready size identification and storage
- Made in France.



16 PIECE HOLLOW PUNCH SET

PART NO.	DESCRIPTION	LENGTH MM	WIDTH MM	HEIGHT MM	WEIGHT KG
66004-MHW	16 PCE HOLLOW PUNCH SET 3 TO 30MM	230	195	45	1.5

11 PIECE HOLLOW PUNCH SET



Features:

- Included in this kit and that can be mixed and matched are: 1/8, 3/16, 1/4, 5/16, 3/8, 7/16, 1/2, 9/16, 5/8 and 3/4"
- Easy to assemble and use
- Solid construction



11 PIECE HOLLOW PUNCH SET

PART NO.	DESCRIPTION	LENGTH MM	WIDTH MM	HEIGHT MM	WEIGHT KG
66008-MHW	11 PCE HOLLOW PUNCH SET 1/8 THRU 3/4"	203	267	45	0.6

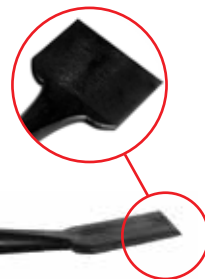
MAYHEW PNEUMATIC TOOL ACCESSORIES



Features:

- Pneumatic tool accessories designed for long reach for those difficult to access applications
- Designed for long reach for those difficult to access applications
- Ideal for general engineering, auto technicians, maintenance sheet metal work, panel beating and boiler-making
- Corrosion resistance black oxide finish
- Manufactured from the highest quality tool steel
- Heat treated for long lasting durability
- 0.401" parker shank.

PNEUMATIC HAMMER



EXTRA LONG PNEUMATIC HAMMERS

MAYHEW PNEUMATIC TOOL ACCESSORIES

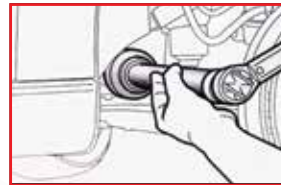
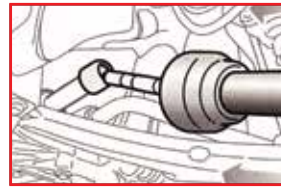
PART NO.	DESCRIPTION	LENGTH MM	WIDTH MM	HEIGHT MM	WEIGHT KG
32001-MHW	12" PNEUMATIC HAMMER	304.8	25.4	25.4	0.3
32002-MHW	18" PNEUMATIC HAMMER	457.2	25.4	25.4	0.5
32003-MHW	24" PNEUMATIC HAMMER	609.6	25.4	25.4	0.6
32016-MHW	2" X 18" PNEUMATIC HAMMER SCRAPER	457.2	19.1	19.1	0.5
32017-MHW	2" X 24" PNEUMATIC HAMMER SCRAPER	609.6	50.8	19.1	0.8

UNIVERSAL TIE ROD REMOVAL TOOL



Features:

- Works on ANY shape inner tie rod end including rounds with no flats
- OEM's and replacement parts manufacturers have stopped making tie rods with flats, hex or octagonal shapes to facilitate remove, and now all are going to a perfectly round shape with no flats
- All in one, simple single piece design covers a wide size range as opposed to specific sized sets with different sets with different sizes
- Compact, sturdy construction
- Patented roller and cam mechanism allows it to clamp onto ANY shape
- Works similar to a large stud extractor
- Covers any size and shape from 35mm to 45mm
- Made in France.



UNIVERSAL TIE ROD REMOVAL TOOL

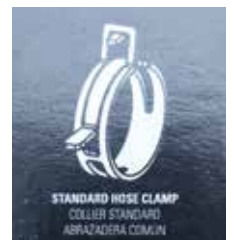
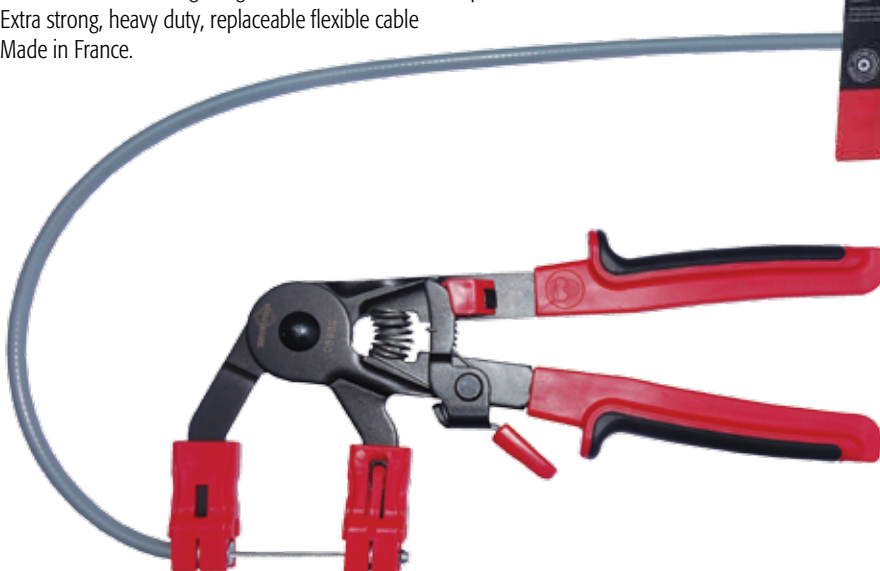
PART NO.	DESCRIPTION	LENGTH MM	WIDTH MM	HEIGHT MM	WEIGHT KG
29910-MHW	UNIVERSAL INNER TIE ROD REMOVAL TOOL	444	89	89	1.9

PROFESSIONAL HOSE CLAMP PLIERS



Features:

- Ideal tool for easily removing Collier clamps in difficult to access locations
- Used in engineering, automotive, plumbing, hydraulic, maintenance applications
- Unique jaw design fits all typical Collier type automotive clamps up to 2" (50mm)
- Ratchet lock with slide guide to ensure secure grip of clamp ends
- Flexible cable to assist getting to those difficult to access places
- Extra strong, heavy duty, replaceable flexible cable
- Made in France.



PROFESSIONAL HOSE CLAMP PLIERS

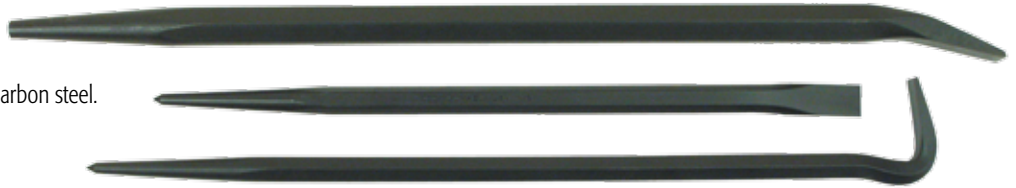
PART NO.	DESCRIPTION	LENGTH MM	WIDTH MM	HEIGHT MM	WEIGHT KG
28680-MHW	HOSE CLAMP PLIERS, MAYHEW PRO, CABLE OPERATED F STYLE	330.2	139.7	25.4	0.5

3 PIECE LIN-UP PRY BAR SET



Features:

- Ideal for accurate positioning work
- Black Oxide for corrosion resistance
- Manufactured from the highest quality alloy and carbon steel.



Features:

- Aligning Pry Bar (x2)
 - ◆ Ideal for line up end for aligning and adjusting metals or woods
 - ◆ Angled chisel end gives greater leverage when prying.
- Rolling Head Pry Bar
 - ◆ Unique curved end enables better leverage in small confined areas
 - ◆ Opposite end is designed for aligning work.

3 PIECE LINE-UP PRY BAR SET

PART NO.	DESCRIPTION	LENGTH MM	WIDTH MM	HEIGHT MM	WEIGHT KG
40000-MHW	14" ALIGNING BAR	356	13	16	0.33
40002-MHW	20" ALIGNING BAR	508	19	22	1.01
40101-MHW	14" ROLLING HEAD PRY BAR	356	13	25	0.42
61306-MHW	3 PC LINE UP PRY BAR SET INCL 12" & 20" ALIGNING BARS + 16" ROLLING HEAD PRY BAR	558.8	228.6	127	0.86



ROLLING HEAD PRY BARS



Features:

- Used for prying, aligning and adjusting
- 90 degree angled chisel end for extra leverage
- Rolling head provides extra leverage and helps dislodge heavier items
- Available in varying lengths for applications in hard to reach locations
- Black oxide finish for additional rust protection
- Made in the USA.



ROLLING HEAD PRY BARS

PART NO.	DESCRIPTION	LENGTH MM	BODY SIZE MM	WIDTH MM	HEIGHT MM	WEIGHT KG
40100-MHW	9" ROLLING HEAD PRY BAR	230	9	25	39	0.4
40101-MHW	16" ROLLING HEAD PRY BAR	407	12	64	39	0.4
40102-MHW	18" ROLLING HEAD PRY BAR	460	16	64	39	0.7
40104-MHW	22" ROLLING HEAD PRY BAR	560	19	77	39	1.2



DIE SEPARATING BARS



Features:

- Used to separate and remove die blocks and plates
- Curved end to assist in removal
- Pointed end to separate
- Made in the USA.



DIE SEPERATING BARS

PART NO.	DESCRIPTION	LENGTH MM	WIDTH MM	HEIGHT MM	WEIGHT KG
41280-MHW 1	8" DIE BAR - BLACK OXIDE FINISH	457	16	51	1.9



**MADE AUSSIE
TOUGH!**

MISCELLANEOUS



TELESCOPIC TUBE CUTTERS	58
COMPACT TUBE CUTTERS	58
LEVER TUBE BENDER	58
HEAVY DUTY BOLT CUTTERS	59
CONCRETE MESH & BOLT CUTTERS	59
VEHICLE CAR STAND	59
GRINDING WHEEL DRESSERS	59
HEAVY DUTY ROLLER STANDS	60
PRODUCT HOLE MOUNTINGS SIZES & LOCATIONS	61
SPARE PARTS	64

DAWN TELESCOPIC TUBE CUTTERS

- Sturdy and robust construction with telescopic advance feed mechanism for easy operation
- Grooved guide rollers for easy cutting of flanged tubes, can cut close to the flare
- Retractable steel reamer for deburring, which folds into body when not in use (A)
- Large adjustment steel knob for easy control of cutting pressure for clean straight cuts
- Suitable for plastic, copper, aluminium and brass tubes
- Separate spare wheel available for stainless steel tubes



TELESCOPIC TUBE CUTTERS

PART NO.	DESCRIPTION	CAPACITY (TUBE O.D.)
70332	TELESCOPIC TUBE CUTTER 3 - 32MM	3 - 32 MM
70335	TELESCOPIC TUBE CUTTER 3 - 35MM	3 - 35 MM
70341	SPARE WHEEL TO SUIT 70322, 70325, 70332, 70335	
70343	SPARE WHEEL FOR STAINLESS STEEL TUBE TO SUIT 70322, 70325, 70332, 70335	



DAWN COMPACT TUBE CUTTERS

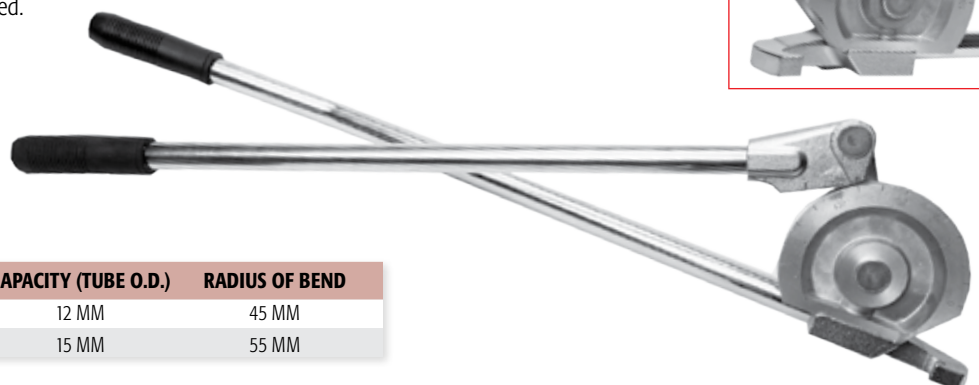
- Compact, sturdy and robust construction.
- Large knurled feed screw steel knob gives easy control of cutting pressure for clean straight cuts
- Exclusive Double rollers for increased power and capacity
- Specifically designed for easy operation in restricted spaces on small diameter
- Suitable for plastic, copper, aluminium and brass tubes
- Separate spare wheel available for stainless steel tubes.

COMPACT TUBE CUTTERS

PART NO.	DESCRIPTION	CAPACITY (TUBE O.D.)
70322	COMPACT TUBE CUTTER 3 - 22MM	3 - 22 MM
70325	COMPACT TUBE CUTTER 3 - 25MM	3 - 25 MM

DAWN LEVER TUBE BENDER

- Designed to produce uniform bends up to 180° in copper, steel and stainless steel tubings.
- Specially designed Former and unique two stage handle minimises bending effort while forming accurate high quality bends.
- The large opening between the Former and the latch will allow quick and easy positioning of the tube in the correct position before bending.
- The scales are easy to read as they are embossed.



LEVER TUBE BENDER

PART NO.	DESCRIPTION	CAPACITY (TUBE O.D.)	RADIUS OF BEND
70412	LEVER TUBE BENDER 12MM RADIUS 45MM	12 MM	45 MM
70415	LEVER TUBE BENDER 15MM RADIUS 55MM	15 MM	55 MM

DAWN POWER BITE HEAVY DUTY BOLT CUTTER

- High quality bolt cutters designed for constant use in the most demanding applications and provide clean, quick cuts for materials that are too tough for standard bolt cutters
- Forged from highest durable Cr-V blade steel
- Hard milled and additionally induction hardened cutting edges, which are exchangeable
- Hardness of cutting edge approx. 60 HRC
- Durability tested for long term cutting performance and VPA / GS approved / audited
- Double cam precision bolt adjustment – blades can be adjusted individually
- Heavy-duty side plates keep jaws aligned
- No blade skew even under severe loads
- Ergonomically designed handles, enhanced durable tube with ovalised end for extreme.



HEAVY DUTY BOLT CUTTERS

PART NO.	DESCRIPTION	OVERALL LENGTH MM	CUTTING CAPACITY (MM) FOR MATERIAL HARDNESS		
			HRC 19	HRC 40	HRC 44
57330	POWER BITE BOLT CUTTER - HEAVY DUTY, L330MM	330	6	5	
57400	POWER BITE BOLT CUTTER - HEAVY DUTY, L400MM	400	7	6	
57460	POWER BITE BOLT CUTTER - HEAVY DUTY, L460MM	460	8	7	5
57620	POWER BITE BOLT CUTTER - HEAVY DUTY, L620MM	620	9	8	7
57780	POWER BITE BOLT CUTTER - HEAVY DUTY, L780MM	780	11	9	8
57900	POWER BITE BOLT CUTTER - HEAVY DUTY, L900MM	900	13	11	9

DAWN POWER BITE HEAVY DUTY CONCRETE MESH & BOLT CUTTER

- The DAWN Concrete Mesh & Bolt Cutter has the cutting jaws open on the side of the very flat head, giving better access to cut concrete mesh
- Designed for constant use in the most demanding applications and provide clean, quick cuts for materials that are too tough for standard mesh & bolt cutters
- Forged from highest durable Cr-V blade steel
- Hard milled and additionally induction hardened cutting edges, which are exchangeable
- Hardness of cutting edge approx. 60 HRC
- Durability tested for long term cutting performance and VPA/GS approved/audited
- Double cam precision bolt adjustment – blades can be adjusted individually
- Heavy-duty side plates keep jaws aligned. No blade skew even under severe loads
- Ergonomically designed handles, enhanced durable tube with ovalised end for extreme durability and greater mechanical advantage for crisp cutting.



HEAVY DUTY CONCRETE MESH & BOLT CUTTERS

PART NO.	DESCRIPTION	OVERALL LENGTH MM	CUTTING CAPACITY (MM) FOR MATERIAL HARDNESS	
			HRC 19	HRC 40
52790	POWER BITE CONCRETE MESH & BOLT CUTTER - HEAVY DUTY, L790MM	790	9	8
52900	POWER BITE CONCRETE MESH & BOLT CUTTER - HEAVY DUTY, L900MM	900	11	9

VEHICLE (CAR) STAND



This high quality car stand has a heavy duty S.G. ductile iron base. It is suitable for service stations, garages, panel beaters and car maintenance enthusiasts. The adjusting screw has an Acme thread for strength and quick adjustment. It complies with Australian Standard 2538-1985.



VEHICLE CAR STAND

PART NO.	SAFE WORKING LOAD	MIN. HEIGHT MM	MAX. HEIGHT MM	DIAM. OF BASE MM	WEIGHT KG
62187	2 TONNE	280	450	227	6.7

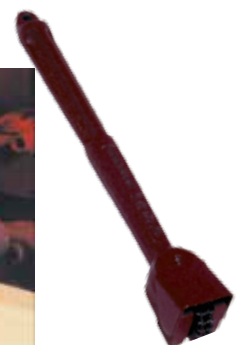
Caution

- Use only in pairs
- Use on hard, level surface, preferably concrete
- Ensure the stand is positioned under a solid portion of the car
- Do not remove wheels unless necessary
- Lower the car slowly onto the stand
- Apply car's parking brake & chock unlifted wheels
- Check stability of the stand by rocking the car back and forth
- Centre load and apply load vertically on engagement saddle
- Tighten the stand's hand nut firmly at the required height.

GRINDING WHEEL DRESSERS



Rugged cast handle with corrugated high quality hardened steel cutters. Well designed to accurately and easily recondition the grinding wheel to its original shape. Spare wheels readily available.



GRINDING WHEEL DRESSER

PART NO.	TYPE	WEIGHT KGS
62204	NO. 0	0.8
62205	NO. 1	1.2

SPARE WHEELS

PART NO.	TO SUIT	?	?	?
67188	NO. 0	?	?	?
67189	NO. 1	?	?	?
67190	NO. 2	?	?	?

HEAVY DUTY ROLLER STANDS

- Designed for use as an extra support when working with wide or long work pieces
- Stand comes with chrome plated ball bearing rollers which do not mar or scratch workpieces
- Incorporates 3 wide solid cast iron legs which gives good stability even in surfaces with low friction
- Heavy duty tubular frame comes powder coated for corrosion resistance
- Height of stand is easily adjustable with a friction lock screw.

APPLICATIONS:

Supports infeed or outfeed of long or wide work pieces to drill press, brake press, punch press, table saws, band saws, router tables, planers and many other tools that vary in height.

TWO TYPES AVAILABLE:

- Flat roller head design with single roller for flat items.
- V-roller head design with 2 rollers suitable for round items.

EDGE ATTACHMENT

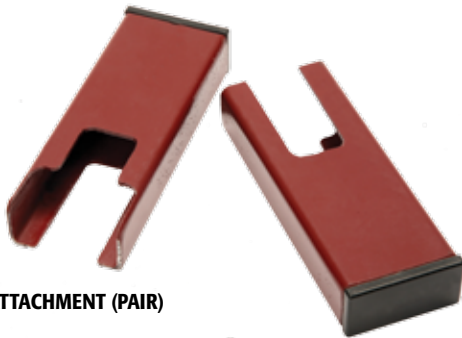
(pair) to suit Heavy Duty Roller Stands (Part No. 68160)

The edge attachment easily attaches to both the Flat Roller Stand or the V Roller stand, as shown in the picture. It prevents work pieces from falling off the sides of the rollers as they are conveyed. A simple and innovative design.

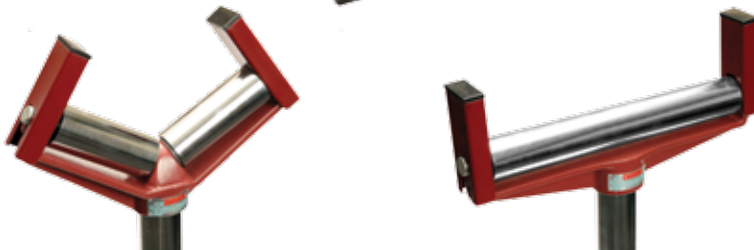


FLAT ROLLER STAND EXTENDED

V ROLLER STAND



EDGE ATTACHMENT (PAIR)



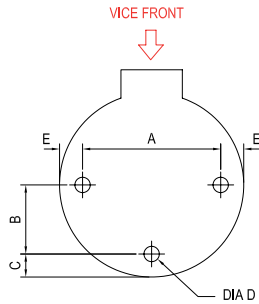
HEAVY DUTY ROLLER STANDS

PART NO.	DESCRIPTION	ROLLERS MM	HEAD WIDTH MM	LOAD KG	MIN. HEIGHT MM	MAX. HEIGHT MM	WEIGHT KGS
62153	FLAT ROLLER STAND	Ø52 X 350	350	500	580	970	16.0
62154	V ROLLER STAND	Ø52 X 130 (2)	230	500	580	970	16.6
68153	FLAT ROLLER HEAD ASSY	Ø52 X 350	350				
68154	V ROLLER HEAD ASSY	Ø52 X 130 (2)	230				
68160	EDGE ATTACHMENT PAIR						

Note: The head assemblies of the Flat Roller & V-Roller design can be purchased separately and can be interchanged on the common stand.

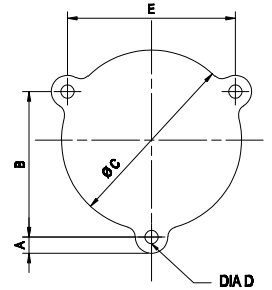
PRODUCT HOLE MOUNTING SIZES & LOCATIONS

CAST ENGINEER'S VICE



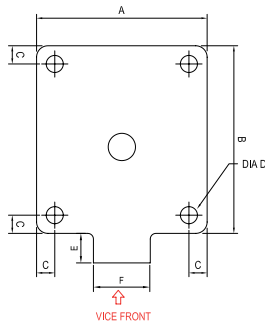
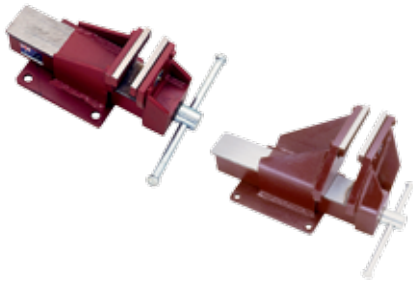
VICE PART No.	JAW SIZE MM	A	B	C	D	E
60151	75	89	45	18	9.5	15
60152	100L	108	54	11	12.5	11
60153	100	124	57	25	13	20
60155	125	132	66	22	13	20
60156	150	146	73	35	13	24
60157	200	177	NA	NA	19	25

CAST ENGINEER'S VICE (SWIVEL BASE)



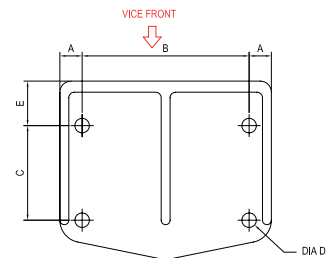
VICE PART No.	JAW SIZE MM	A	B	C	D	E
60163	100	17	152	190	13	175
60165	125	17	173	210	13	200
60166	150	20	189	230	13	218
60167	200	20	247	295	18	285

FABRICATED ENGINEER'S VICE



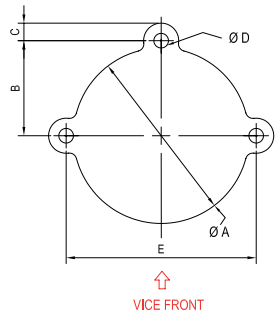
VICE PART No.	JAW SIZE MM	A	B	C	D	E	F
6025 & 60212	100	150	165	16	15	N/A	N/A
60206 & 60213	125	180	205	16	15	N/A	N/A
60207 & 60214	150	200	230	16	15	N/A	N/A
60208	200	200	255	16	15	40	100
60215	200	250	305	20	18	40	100

CAST ENGINEER'S VICE (OFFSET)



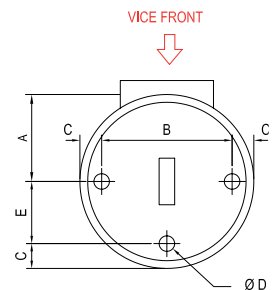
VICE PART No.	JAW SIZE MM	A	B	C	D	E
60178	100	20	150	85	15	40
60180	125	27	160	80	13	45
60181	150	25	185	100	15	54

FORGED STEEL UTILITY VICE SWIVEL BASE



VICE PART No.	JAW SIZE MM	A	B	C	D	E
60430	100	120	85	12	10	130
60431	125	160	90	13	13	180
60432	150	210	120	15	15	240
60433	175	210	120	15	15	240

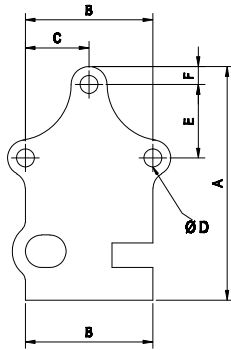
FORGED STEEL UTILITY VICE FIXED BASE



VICE PART No.	JAW SIZE MM	A	B	C	D	E
60420	100	57	83	15	9	40
60421	125	80	110	18	13	38
60422	150	83	150	20	15	60
60423	175	105	150	20	15	60

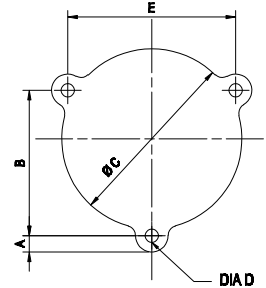
PRODUCT HOLE MOUNTING SIZES & LOCATIONS

PIPE VICES



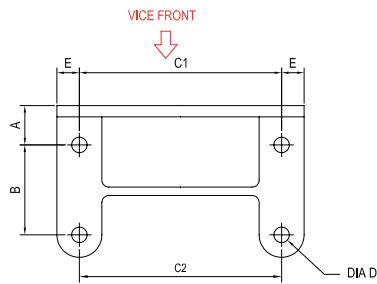
VICE PART No.	TYPE	A	B	C	D	E	F
60272	C2	145	77	38.5	11	46	12
60273	C4	210	122	66	15	65	20
60274	C8	250	155	77.5	18	90	21

SHOP VICE (SWIVEL BASE)



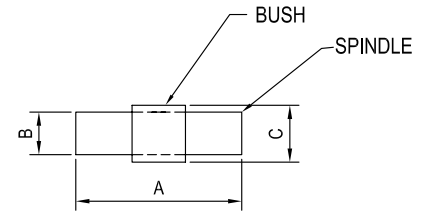
VICE PART No.	JAW SIZE MM	A	B	C	D
60231	100	155	150	15	12
60232	125	180	165	20	12
60233	150	195	180	20	12

WOODWORKER'S VICE



VICE PART No.	JAW SIZE MM	A	B	C1	C2	D	E
60241	175	28	64	148	148	11	16
60247	175 PEG	28	64	148	148	11	16
60242	200	28	64	148	148	11	26
60243	225	38	84	190	167	11	17
60244	250	38	84	190	167	11	29

DRESSER WHEEL



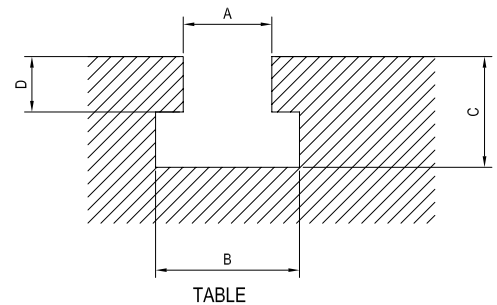
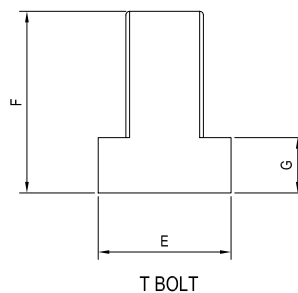
DRESSER WHEEL

VICE PART No.	DESCRIPTION	WHEEL ID	WHEEL OD	WITH OF CLUSTER
67188	SPARE DRESSER WHEEL No. 0	6.7	30.7	11.0
67189	SPARE DRESSER WHEEL No. 1	13.0	38.5	11.5
67190	SPARE DRESSER WHEEL No. 2	15.3	60.5	23.5

SPINDLE AND BUSH

VICE PART No.	DESCRIPTION	TO SUIT	A	B	C
67193	SPINDLE AND BUSH	WHEEL No. 0	35.0	6.25	9.4
67194	SPINDLE AND BUSH	WHEEL No. 1	36.5	9.4	12.5

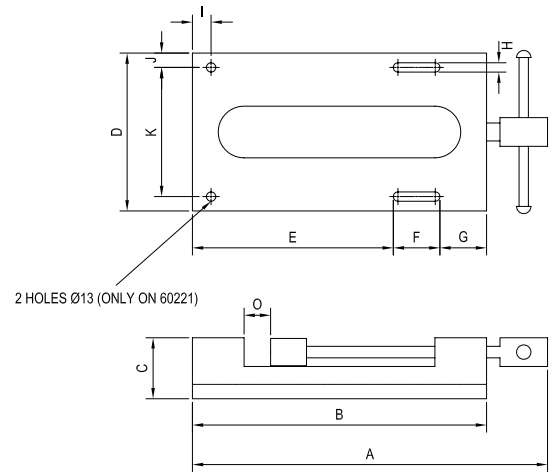
CROSS SLIDE VICE TABLE (T-SLOT & T-BOLT DIMENTIONS)



PART No.	DESCRIPTION	A	B	C	D	E	F	G	DESCRIPTION	BOLT PART No.
62171	CROSS SLIDE VICE TABLE STANDARD, FIXED TABLE	12	19	17	8	18	36	6	T BOLT TO SUIT 62171 TO 62174 M10 x 30	62171 TB30M10
									T BOLT TO SUIT 62171 TO 62174 M10 x 50	62171 TB50M10
62174	CROSS SLIDE VICE TABLE STANDARD, FIXED TABLE	12	19	17	8	18	36	6	T BOLT TO SUIT 62171 TO 62174 M10 x 30	62171 TB30M10
									T BOLT TO SUIT 62171 TO 62174 M10 x 50	62171 TB50M10
62178	CROSS SLIDE VICE TABLE STANDARD, FIXED TABLE	16	25.4	20	10	24	68	8	T BOLT TO SUIT 62178 M14 x 60	62178 TB60M14
									T BOLT TO SUIT 62178 M14 x 110	62178 TB100M14

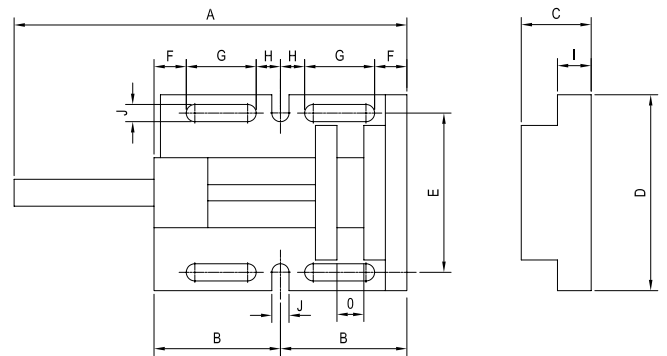
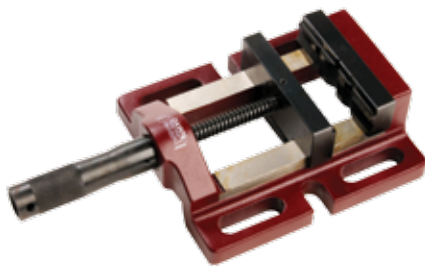
PRODUCT HOLE MOUNTING SIZES & LOCATIONS

MACHINE VICES



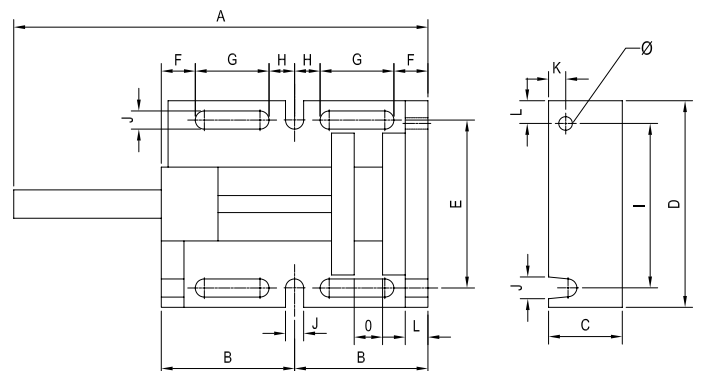
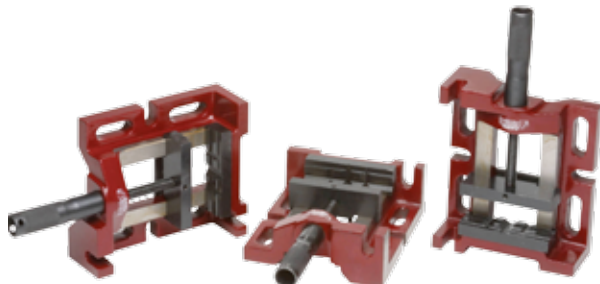
VICE PART No.	JAW SIZE		A		B		C	D	E	F	G	H	I	J	K	O	W
	WIDTH MM	HEIGHT MM	CLOSED	OPEN	BED LENGTH MM	OVERALL HEIGHT MM	BED WIDTH MM									MAX JAW OPENING MM	WEIGHT KGS
60219	75	60	235	280	170	64	135	60	50	60	11	N/A	N/A	103	60	3.6	
60220	100	120	325	445	240	82	190	88	64	88	14	N/A	N/A	143	120	4.2	
60221	225	250	495	750	410	89	220	280	65	65	14	25	20	180	250	7.9	

UNIGRIP DRILL PRESS VICES



VICE PART No.	JAW SIZE		A	B	C	D	E	F	G	H	I	J	O	W
	WIDTH MM	HEIGHT MM			OVERALL HEIGHT MM	BED WIDTH MM							MAX JAW OPENING MM	WEIGHT KGS
61560	75	30	230	75	60	140	108	15	45	15	12	15	70	3.6
61561	100	30	390	88	70	160	125	17	50	21	20	15	88	4.2
61562	125	35	365	110	70	185	148	20	65	25	20	15	125	7.9
61563	150	40	440	135	80	205	170	25	85	25	20	15	165	9.5
61564	200	55	565	175	95	250	215	25	120	30	20	15	210	19.0

UNIGRIP 3 WAY DRILL PRESS VICES



VICE PART No.	JAW SIZE		A	B	C	D	E	F	G	H	I	J	K	L	Ø	O	W
	WIDTH MM	HEIGHT MM			OVERALL HEIGHT MM	BED WIDTH MM										MAX JAW OPENING MM	WEIGHT KGS
61565	100	30	295	100	70	155	125	30	50	20	122	15	45	18	12	88	4.2
61566	125	35	365	115	75	180	145	30	65	20	140	15	50	20	12	125	7.9
61567	150	40	455	150	80	200	170	35	85	30	165	15	55	15	12	165	10.9

SPARE PARTS

VICE JAWS

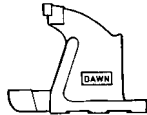
Refer to Page 13

ENGINEERS' VICES

Body c/w jaw

PART NO. SIZE

65010	75
65012	100L
65013	100
65007	100 S.G.
65015	115
65017	125
65008	125 S.G.
65018	150
65009	150 S.G.
65019	200



Slide c/w jaw

65039	75
65040	100L
65041	100
65036	100 S.G.
65043	115
65045	125
65037	125 S.G.
65046	150
65038	150 S.G.
65047	200



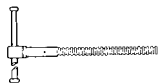
Main Nut

65065	75
65066	100L
65067	100
65068	115
65069	125 / 150
65071	200



Main Screw & Handle

65092	75
65093	100L
65094	100
65095	115
65096	125
65097	150
65099	200



Washer, Pin & Spring Assy

65113	75
65114	100L
65115	100
65120	115
65121	125 / 150
65122	200



ENGINEERS' OFFSET VICES

Body c/w jaw

65029	100
65031	125
65032	150



PART NO. SIZE

Slide c/w jaw

65057	100
65059	125
65060	150



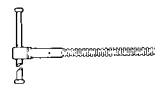
Main Nut

65072	100
65069	115 / 125
65070	150



Main Screw & Handle

65095	100
65096	115
65097	125
65098	150



Washer, Pin & Spring Assy

65120	100
65121	115 / 125
65122	150



ENGINEERS' FABRICATED VICES

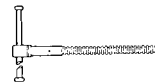
Main Nut

65078	100
65079	125 / 150
65080	200



Main Screw & Handle

65108	100
65096	125
65097	150
65099	200
65111	200 O/S



Washer, Pin & Spring Assy

65120	100
65121	125 / 150
65122	200



WOODWORKERS' VICES

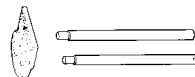
Body

65222	175 HC
65223	175
65224	200
65225	225
65226	250



Front Plate & Slide Bars Assy

65239	175 HC
65240	175
65241	200
65242	225
65243	250



Main Nut

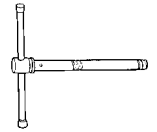
65255	175 / 200
65256	225 / 250



PART NO. SIZE

Main Screw & Handle

65264	175 HC
65266	175 / 200
65267	225 / 250



Washer & Pin Assy

65289	175 / 200
65290	225 / 250



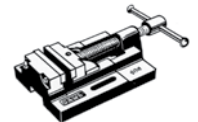
BENCH SCREW

65297	Nut
-------	-----

MACHINE VICES

Main Screw & Handle

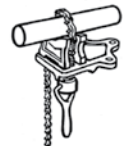
65089	75
65090	100
65091	125



PIPE VICES

Model C2 (50mm)

65319	Handle
65301	Screw
65331	Chain
65325	Nut
65336	Chain & Screw Assy
65350	Chain, Screw, Handle & Nut
65343	Handle & Nut
65410	Body (with jaws)



Model C4 (100mm)

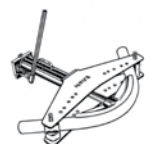
65320	Handle
65302	Screw
65332	Chain
65326	Nut
65337	Chain & Screw Assy
65351	Chain, Screw, Handle & Nut
65344	Handle & Nut
65411	Body (with jaws)

Model C6 (150mm)

65320	Handle
65303	Screw
65333	Chain
65327	Nut
65338	Chain & Screw Assy
65352	Chain, Screw, Handle & Nut
65345	Handle & Nut
65412	Body (with jaws)

PIPE BENDER

67043	Hydraulic Unit
67047	Pump Handle
67062	Pump & Piston Assy
67063	Release Valve & Seal
67065	Ram
67066	Seal Kit (all seals & 'O' rings)



SPARE PARTS

PART NO. SIZE

GRINDING WHEEL DRESSERS

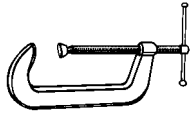
Spindle & Bushes

67193	No. 0
67194	No. 1

'G' CLAMPS -SUPER GRADE & FORGED

Screws

66012	75
66013	100
66015	150
66016	200
66017	250
66018	300



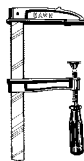
Swivel Pads

66004-0	75 / 100
66005-0	150
66006-0	200 / 250 / 300

QUICK ACTION CLAMPS (OLD)

Sizes 150 & 200

66020	Fixed Jaw
66024	Sliding Jaw
66023	Screw & Handle
66005	Swivel Pad
66001	Plastic Handle



PART NO. SIZE

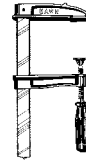
Sizes 250 to 1000

66021	Fixed Jaw
66025	Sliding Jaw
66023	Screw & Handle
66005	Swivel Pad
66001	Plastic Handle

QUICK ACTION CLAMPS (NEW)

Sizes 150 & 200

66020N	Fixed Jaw
66024N	Sliding Jaw
66026N	Protective Pad
66022N	Screw & Handle
66003N	Swivel Pad
66001N	Plastic Handle



Sizes 250 to 2000

66021N	Fixed Jaw
66025N	Sliding Jaw
66027N	Protective Pad
66023N	Screw & Handle
66005N	Swivel Pad
66001N	Plastic Handle

PART NO. SIZE

ALL STEEL FITTER'S CLAMPS

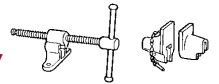
Swivel Pads / Pressure Plates

46325	43113
46326	43114 & 43115
46327	43116 - 43123
46330	43224 - 43335
46395	43436
46396	43437 - 43441



T-BAR CRAMPS - LIGHT

66040	Front Jaw
66044	Back Jaw (incl. pin & chain)
66034	Nut c/w Rivet
66028	Screw & Handle
66062	Pin & Chain



T-BAR CRAMPS - HEAVY

66041	Front Jaw
66045	Back Jaw (incl. pin & chain)
66035	Nut c/w Rivet
66029	Screw & Handle
66063	Pin & Chain

SAFETY INFORMATION

- Use safety goggles - Misuse of vices and clamps can cause serious injury to eyes, hands and other body parts
- Always use a vice or clamp of proper size and capacity to hold work object
- Maintain your balance and prevent slipping
- Keep tools clean, regularly inspect them for wear and damage, and maintain them
- Do not use damaged tool
- Pull handle towards you, do not push
- Do not use hammer or extension pipe to tighten handles - this will cause handle to bend
- To hold down base of vice, use proper size nuts, bolts and lockwashers in all mounting holes
- Do not unscrew sliding jaw of vice beyond maximum jaw opening
- Do not use clamps with bent, twisted or cracked frame or screw
- Do not use clamps with missing or wornout swivel pads on the screw
- Do not use clamps as a permanent holding device or to support any scaffolding
- Do not use clamps to secure loads on moving vehicles as vibrations can cause them to loosen



DAWN DYNAMIC BALANCERS



Dawn Tools have acquired DYNAMIC BALANCERS PTY. LTD, a successful precision balancing company that has been in operation since 1989.

This company is now called DAWN DYNAMIC BALANCERS, a division of Dawn Tools & Vices Pty. Ltd.

We have extensive experience in Industrial Balancing . We specialise in:

- Fan impellers
- Pulleys
- Flywheels
- Gear Wheels
- Conveyor Rollers
- Pump Impellers
- Motor Couplings
- Motor Rotors & Armatures
- Compressor & Turbine Wheels



The machine operators have had extensive formal training on these machines and are able to overcome any balancing problem that may arise. If your rotating equipment is suffering from NOISE, VIBRATION, EARLY BEARING FAILURE OR BREAKAGES, your equipment could require DYNAMIC BALANCING. Dynamic balancing reduces bearing loads, improves smoother running conditions, lengthens service life, increases performance and in general enhances the quality of the end product. Industrial Balancing has thus become an essential operation in the manufacture of high quality rotating components.

Schenck Australia service team regularly calibrate all the machines and ensure all mechanical and electrical components operate and function to their optimum level.

For PROMPT & ECONOMICAL DYNAMIC BALANCING SERVICE , please contact us on 03 9457 6111 or see our website www.dawntools.com.au

BALANCING CAPACITY

BalanceMaster, Model HD3

- Weight Range - 50 grams to 3 kilograms
- Maximum rotor diameter - 200 mm
- Maximum length - 300 mm
- Sensitivity - 0.3 mg-mm

Schenck, Model H1BK

- Maximum weight - 500 grams to 10 kilograms
- Maximum rotor diameter - 400 mm
- Maximum length - 800 mm
- Sensitivity - 0.5 gm-mm

Schenck, Model H40

- Maximum weight - 10 to 1500 kilograms
- Maximum rotor diameter
- (over the bed) - 1300 mm
- (overhung) - 2400 mm
- Maximum length - 2500 mm
- (with bed extension) - 5000 mm
- Sensitivity - 2.5 gm-mm

- Our proud Heritage -



1931 Machine shop employees.



Original overhead belt driven machines.



Inside the Dawn Manufacturing Co. machine shop 1940's.



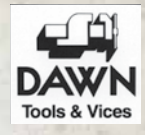
Norm Martin, who worked at DAWN for 50 years, taking great care in machining a vice slide to ensure the "DAWN" reputation for exceptional quality.



1933 Foundry employees outside the factory in Service Street, Coburg, Victoria.



Molten metal being poured into the moulds.





DAWN TOOLS & VICES PTY. LTD.

PO Box 5187, Heidelberg West, Victoria 3081, Australia

Telephone: + 61 3 9457 6111 **Facsimile:** + 61 3 9457 4700

E-mail: sales@dawntools.com.au

View our complete catalogue on our website at www.dawntools.com.au



THE QUALITY DIFFERENCE IN HAND TOOLS