

## Flashback Arrestors

Flashback arrestors are an important product in making the operator and industry a much safer workplace. Combine this product with Flashguards, (on Torches) and FBA on Regulators and you raise the level of safety to world standards.



- 488RAA** Torch End Fuel Gas
- 488RAO** Torch End Oxy Gas
- 07010089** Torch End 9/16" to 5/8" Oxy
- 07010090** Torch End 9/16" to 5/8" Fuel

**SAFETYPAK 1** Reg end FBA + Torch end flashguards for both gases

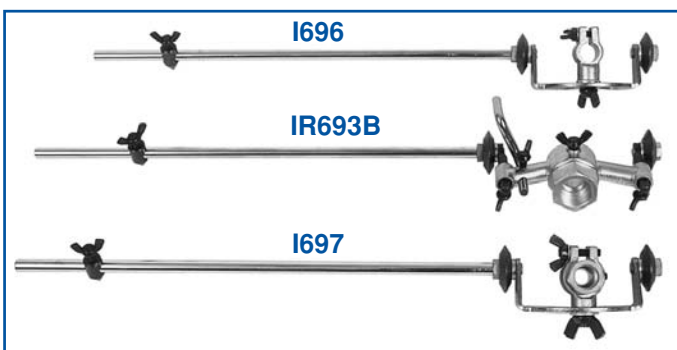


- 188TLAA \*** Fuel Gas fits to Reg. End
- 188TRAO \*** Oxy Gas fits to Reg. End
- 1882TLAA \*\*** Fuel Gas fits to Reg. End
- 1882TRAO \*\*** Oxy Gas fits to Reg. End

**NOTE:** \* Normal flow/use \*\* Bigger flow - ideal for large flow Heating Tips. Both regulator types are fitted with a unique thermal cut-off valve.

Manifold flashback arrestors are available. Please provide details of the applications so that the right product can be quoted.

## Circle Cutting Guides



- I696** Twin Wheels and Circle Bar also angle cutts 45°, Torches/Cutt.Att. 624, 624FL, 142, I492HC, 492, 492F and 6290 Tips.
- IR693B** Twin Wheels and Inside/Outside Circle Bar. Torches/Cutt.Att. 624L, 624FL, 142, I492HC, 492, 492F and 6290 Tips.
- I697** Twin Wheels and Circle Bars twin for 362, Cutt. Att. and 3690 tips.

## Pipeline Regulator Assembly's

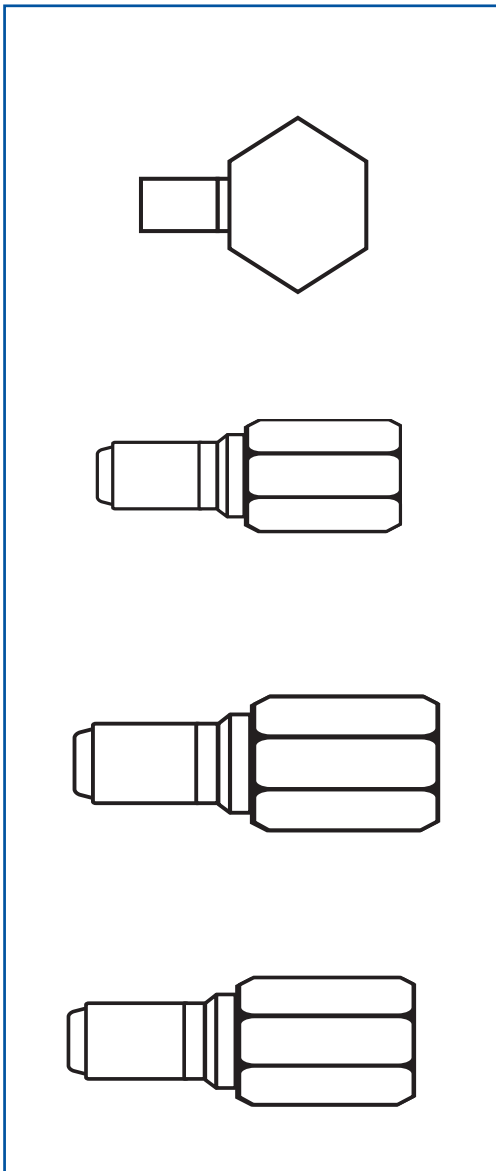
- 1195ARGON** Argon/CO2 Pipeline Regulator Assembly
- 1195OXYGEN** Oxygen Pipeline Regulator Assembly
- 1195ACET** Fuel Pipeline Regulator Assembly
- 1195PROPANE** Propane Pipeline Regulator Assembly

## Regulator Key

- A825ES** Key - Sav 'T' Lock Regulators

## Adaptors

- 382AL** 9/16" to 5/8" Adaptor L/H
- 382AR** 9/16" to 5/8" Adaptor R/H
- TWA290** Taper Seat Tip Adaptor
- 190111** Adapts J632 to H192E Mixer
- 190112** Adapts J633 to Precision
- 430111** Fits TH119 into Professional Mixers E43, E43HC, B433, 6, 8
- TH119** Twin Tip Holder ideal for 0090 Flexible Tips. Fits H192E, H192S, B191, B192S B193 Mixers
- 23573** Nipple. Use with 2393 Tip Tube before fitting heating Tips.
- 23578** Adapts 2290 Heating Tips to W.B.28 Barrel
- 23579** Adapts 2290 Heating Tips to competitors S/S Tip Tubes
- 37AO2** 'Y' Piece - Right Hand
- 37AA2** 'Y' Piece - Left Hand
- TEE** Right hand 90° TEE
- AD256S** LPG Straight Extension Adaptor
- 84790LHLPG** 847 90° LH Adaptor for Inlet
- 84790RHOXY** 847 90° RH Adaptor for Inlet
- HCRGS** Allows **Harris** Cutting Tip into competitors Roller Guides
- 25078FPS** Koike, PC, Tanaka Machine Torch Adaptor with Nut (U6259B)
- 25078PS** ESAB Machine Torch Adaptor with Nut (U6259B)
- 37AO2** Right hand 'Y' Piece
- 37AA2** Left hand 'Y' Piece





TH98



BV982

## Machine Cutting Torch Accessories

- S98C** Adjustable Tip Adaptor  
Change Tip to any angle
- 96DC** Oxygen Saver  
Reduces preheat flame
- TH98** Twin Tip Holder  
Plate stripping 30-305mm
- TH98700** Twin Tip Holder  
Plate stripping 30-700mm
- BV982** Beveling Head - complete with Heating Tip.  
Use only with Propane, LPG, Natural Gas
- E9** Tip Cleaners. Wire Loops  
cleans cutting Oxygen

## Quick Connect Couplings

- HC33PF** Coupler pin and left hand Nut
- HC22PF** Coupler pin and right hand Nut
- HC32PH** Coupler pin and hose Nipple
- HC22PH** Coupler pin and hose Nipple
- HC33SF** Coupler
- HC22SF** Coupler

## Tip Cleaners

- E9** Tip cleaner bent wire type, cleans cutting Oxygen
- C9** Tip Cleaner, RAT Tail Files

## Hose Fittings

- 959A0** Right hand Nut
- 959AA** Left hand Nut
- RHBLANK** Right hand Blanking Nut
- LHBLANK** Left hand Blanking Nut
- 9862A** 6mm Barped Nipple
- 9862** 8mm Barped Nipple
- 9861** 10mm Barped Nipple
- 38A957** Special Brass Outlet Fitting
- 5-6 hose set** Nipple + two Tips
- 8 hose set** Nipple + hose Clip
- 10 hose set** Nipple + hose Clip
- HC105** 5mm hose Clip
- HC113** 6mm hose Clip
- HC185** 8mm hose Clip
- HC157** 10mm hose Clip

## Hose

- 128001** Twin 8mm red & blue 100m roll
- 8RBTH5M** Hose 8mm red & blue with fittings 5meter
- 8RBTH10M** Hose 8mm red & blue with fittings 5meter

## Specialty / Scientific Equipment

Harris has an extensive range of equipment for this Industry. So extensive that there is not room in this catalogue to provide all the information that would be needed. If you require details please visit the web site [www.harriscal.com](http://www.harriscal.com) Alternatively, you can contact **Harris Gas Equipment Australia** 07 3272 7280 and we can provide the information and advise.

Some stock is held in Australia, in other cases we air freight from Harris USA / Europe. The lead time from our factories is excellent, normally it only takes 5-7 working days. Prices are obtainable by contacting your Harris distributor.



## Manifold Systems

Harris has developed a range of manifold systems- Manual changeover, semi-automatic, or fully automatic. These systems are tailored to suit an application and take into account the flow and pressure needed by the application. This catalogue is not designed to show the full range, it is simply too large. The best option is to contact Harris for advise and the various options available. The photo's shown are indicative only.



## High Pressure Hose Leads

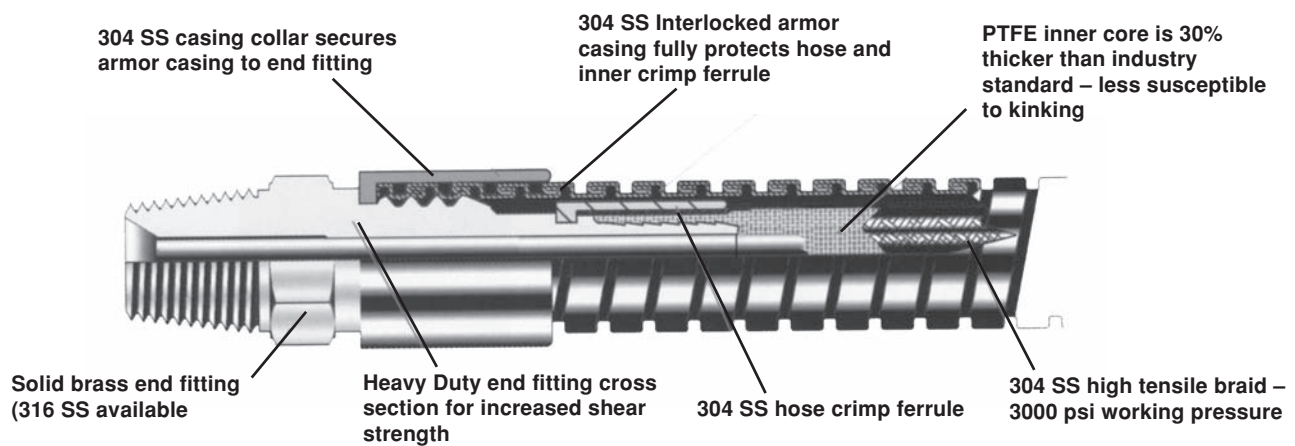
Harris distributes the "Flexible Components" range of Hose products. Their range of product is extensive and would simply not fit in this catalogue. A separate catalogue is available please contact Harris or a Harris Distributor for more details.

These high-pressure hose leads are of the highest quality with unique features and benefits designed with 'real' engineering advantages for the user/application.

Our prices are very attractive for this product, especially when you consider the benefits and the safety issues "built-in" as standard.

### Non-Metallic Core Pigtail Cross Sections

1/4" Style 4TS (shown with Brass Male NPT ans SS Armor Casing)



## Inert Pipelines

In this range of products we have an easy, low cost range of pipe and fittings that allow a building to be fitted with a reticulation system. It is so easy to do, that many end-users do the install themselves. If this is not in your plans, Harris has experienced, trained gas fitters should you require their services. Their knowledge is of value for any type of pipeline or application.

The savings from a pipeline are "dramatic".....in some cases, costs have been lowered by **40%**.

Harris believes that this system, combined with our anti-surge key lock regulator (Model 847), can produce savings of **25%** minimum.

Please consider this concept and contact Harris or the local distributor for more details. Prior to contact, measure your floor layout and the length of your droppers and contact Harris or your local distributor for an all-inclusive quote.

